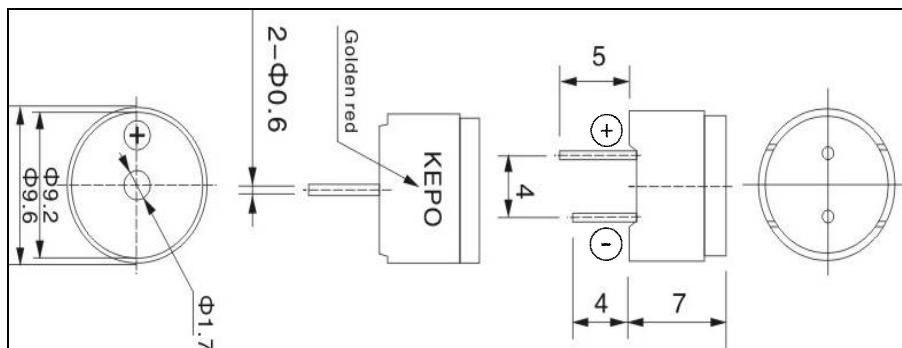


# Technical datasheet: KPMG09A-K6326

## Specifications:

Operating Temperature	-20°C to +70°C
Storage Temperature	-30°C to +80°C
Rated Voltage	1.5VDC
Operating Voltage	1VDC to 2VDC
Max. Rated Current	80mA at 1.5VDC
Resonant Frequency	3100Hz
Min SPL	80dB / 1.5VDC / 3100Hz / 10cm
Coil Resistance	5.5Ω ± 1Ω
Coil Impedance	9.5Ω ± 3Ω
Weight	1g
Case Material/Color	PBT/Black

## Dimensions:



## Frequency Response:

