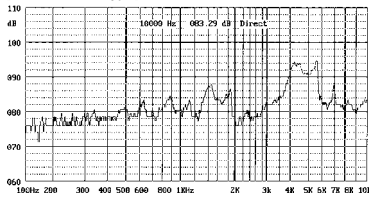


## KPR-1340 series Piezo Transducer

### FREQUENCY RESPONSE

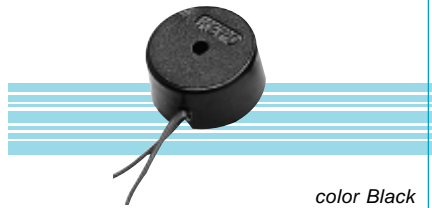
[actual curve of type]



applied voltage: 12Vp-p, 1/2 duty, square wave distance for measurement: 10cm

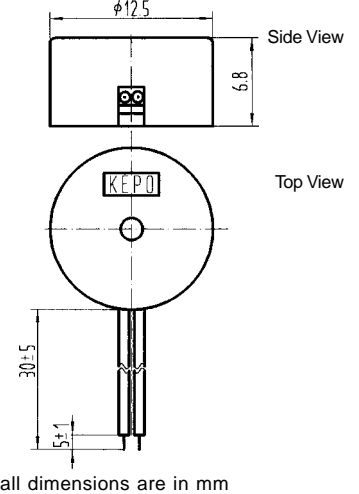
<b>Model No</b>	<b>KPR-1340</b>
Rated Voltage	12Vp-p Square Wave
Max. Allowable Voltage	30Vp-p Square Wave
Max. Rated Current	2mA at 4.0KHz/12Vp-p Square Wave
Min. Sound Pressure Level	80dB at 4.0KHz/12Vp-p Square Wave/10cm
Resonant Frequency	4.0±0.5KHz
Operating Temperature	-20~+80jæ
Weight	1g

\* Value applying at rated voltage



color Black  
PBT Housing Material  
Lead Terminal

### DIMENSIONS

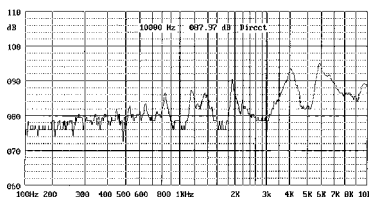


all dimensions are in mm

## KPR-1410 series Piezo Transducer

### FREQUENCY RESPONSE

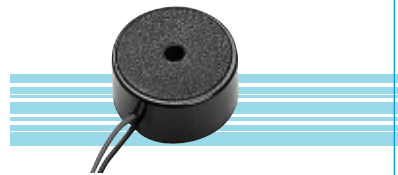
[actual curve of type]



applied voltage: 12Vp-p, 1/2 duty, square wave distance for measurement: 10cm

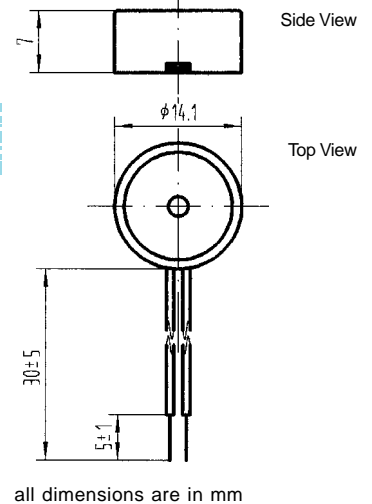
<b>Model No</b>	<b>KPR-1410</b>
Rated Voltage	12Vp-p Square Wave
Max. Allowable Voltage	30Vp-p Square Wave
Max. Rated Current	2mA at 4.0 KHz/12Vp-p Square Wave
Min. Sound Pressure Level	80dB at 4.0KHz/12Vp-p Square Wave/10cm
Resonant Frequency	4.0±0.5KHz
Operating Temperature	-20~+60jæ
Weight	1g

\* Value applying at rated voltage



color Black  
ABS Housing Material  
Lead Terminal

### DIMENSIONS

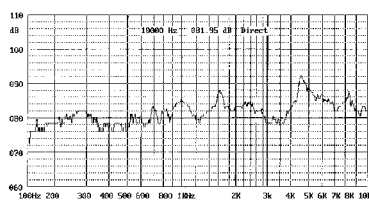


all dimensions are in mm

## KPR-1440 series Piezo Transducer

### FREQUENCY RESPONSE

[actual curve of type]



applied voltage: 9Vp-p, 1/2 duty, square wave distance for measurement: 10cm

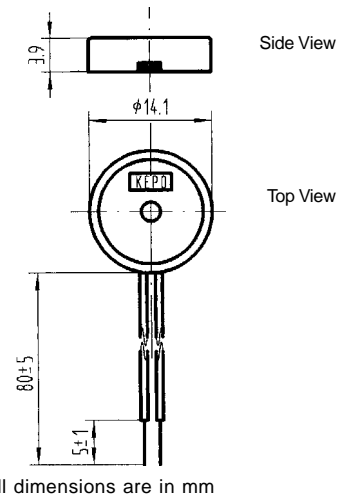
<b>Model No</b>	<b>KPR-1440</b>
Rated Voltage	12Vp-p Square Wave
Max. Allowable Voltage	25Vp-p Square Wave
Max. Rated Current	2mA at 4.0KHz/9Vp-p Square Wave
Min. Sound Pressure Level	75dB at 4.0KHz/9Vp-p Square Wave/10cm
Resonant Frequency	4.0±0.5KHz
Operating Temperature	-20~+60jæ
Weight	1.3g

\* Value applying at rated voltage



color Black  
ABS Housing Material  
Lead Terminal

### DIMENSIONS



all dimensions are in mm

The information contained herein is believed to be correct, but no guarantee for accuracy, completeness, DSW Electronics Ltd. reserves the right to make changes without notification.