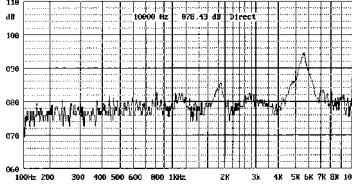


Piezo Transducer

KPR-2211 series Piezo Transducer

FREQUENCYRESPONSE

[actual curve of type]



applied voltage: 12Vp-p, 1/2 duty, square wave distance for measurement: 30cm

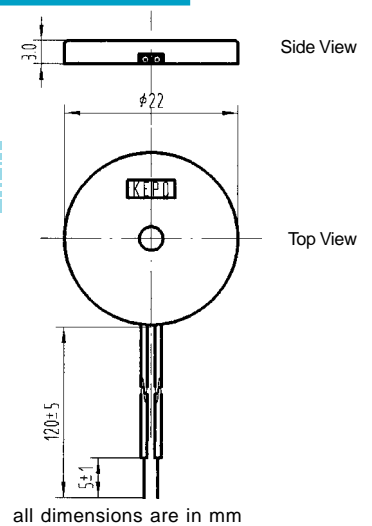


color Black
ABS Housing Material
Lead Terminal

Model No	KPR-2211
Rated Voltage	12Vp-p Square Wave
Max. Allowable Voltage	30Vp-p Square Wave
Max. Rated Current	3mA at 4.5KHz/12Vp-p Square Wave
Min. Sound Pressure Level	75dB at 4.5KHz/12Vp-p Square Wave/30cm
Resonant Frequency	4.5±0.5KHz
Operating Temperature	-20~+60℃
Weight	3g

* Value applying at rated voltage

DIMENSIONS

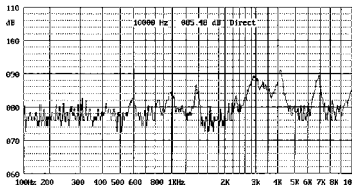


all dimensions are in mm

KPR-2310 series Piezo Transducer

FREQUENCYRESPONSE

[actual curve of type]



applied voltage: 12Vp-p, 1/2 duty, square wave distance for measurement: 30cm

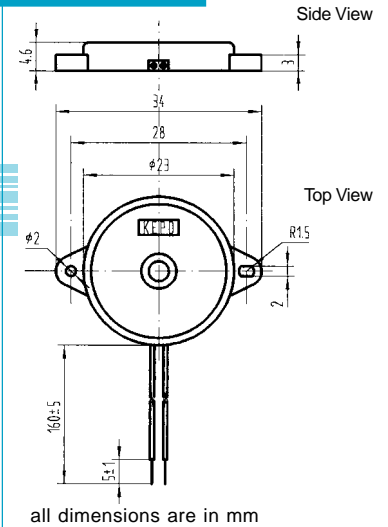


color Black
ABS Housing Material
Lead Terminal

Model No	KPR-2310
Rated Voltage	12Vp-p Square Wave
Max. Allowable Voltage	30Vp-p Square Wave
Max. Rated Current	3mA at 4.0 KHz/12Vp-p Square Wave
Min. Sound Pressure Level	80dB at 4.0KHz/12Vp-p Square Wave/30cm
Resonant Frequency	4.0±0.5KHz
Operating Temperature	-20~+60℃
Weight	1g

* Value applying at rated voltage

DIMENSIONS

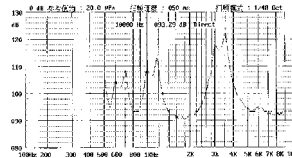


all dimensions are in mm

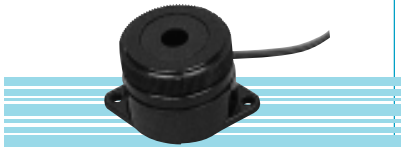
KPR-2910 series Piezo Telephone Ringer

FREQUENCYRESPONSE

[actual curve of type]



applied voltage: 12Vp-p, 1/2 duty, square wave distance for measurement: 30cm

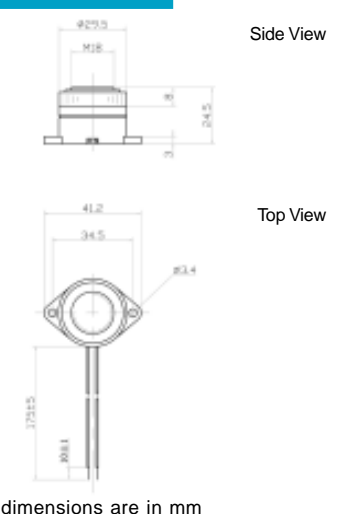


color Black
ABS Housing Material
Pin Terminal

Model No	KPR-2910
Operating Voltage	12VP-P Square Wave
Max. Allowable Voltage	3-30VP-P Square Wave
Max. Rated Current	3mA at 2.9KHz/12vp-p Square wave
Min. sound Pressure Level	90dB at 2.9KHz/12vp-p Square wave/30cm
Resonant Frequency	2.9±0.5KHz
Capacitance at 120HZ	30000pF±30%
Housing Material / Color	ABS/Black
Operating Temperature	-20℃~+60℃
Store Temperature	-30℃~+70℃
Weight	10g

* Value applying at rated voltage

DIMENSIONS



all dimensions are in mm

The information contained herein is believed to be correct, but no guarantee for accuracy, completeness, DSW Electronics Ltd. reserves the right to make changes without notification.