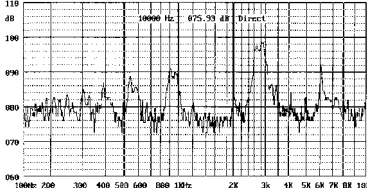


Piezo Transducer

KPR-4210 series Piezo Transducer

FREQUENCY RESPONSE
[actual curve of type]



applied voltage: 12Vp-p, 1/2 duty, square wave distance for measurement: 30cm

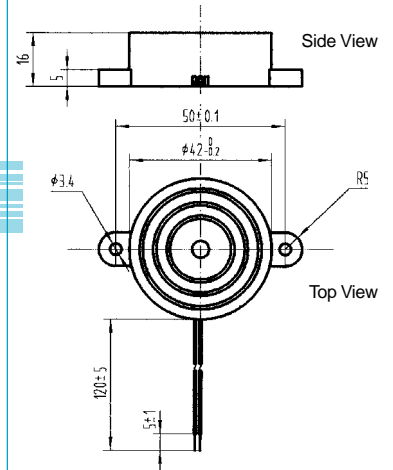
Model No	KPR-4210
Rated Voltage	12Vp-p Square Wave
Max. Allowable Voltage	30Vp-p Square Wave
Max. Rated Current	5mA at 2.8 KHz/12Vp-p Square Wave
Min Sound Pressure Level	85dB at 2.8 KHz/12Vp-p Square Wave/30cm
Resonant Frequency	2.8±0.5KHz
Operating Temperature	-20~+60±æ
Weight	10g

* Value applying at rated voltage



color Black
ABS Housing Material
Lead Terminal

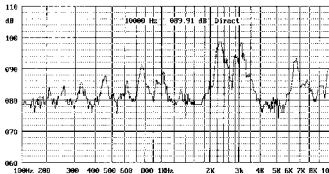
DIMENSIONS



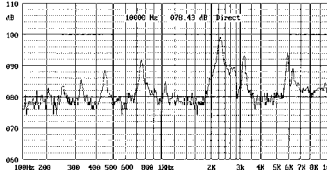
all dimensions are in mm

KPR-4411 series Piezo Telephone Ringer

FREQUENCY RESPONSE
[actual curve of type]



applied voltage: 12 Vp-p, 1/2 duty, square wave distance for measurement: 30cm



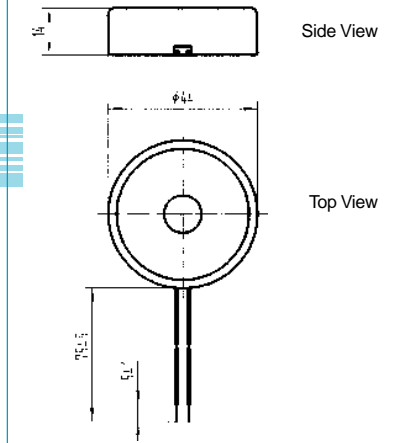
Model No	KPR-4411	KPR-4411G
Rated Voltage	12Vp-p Square Wave	12Vp-p Square Wave
Max. Allowable Voltage	30Vp-p Square Wave	30Vp-p Square Wave
Max. Rated Current	4mA at 1.0KHz/12Vp-p Square Wave	4mA at 1.0KHz/12Vp-p Square Wave
Min Sound Pressure Level	78dB at 1.0KHz/12Vp-p Square Wave/30cm	78dB at 1.0KHz/12Vp-p Square Wave/30cm
Resonant Frequency	1.0±0.5 KHz	1.0±0.5 KHz
Operating Temperature	-20~+60±æ	-20~+60±æ
Weight	10g	9g

* Value applying at rated voltage



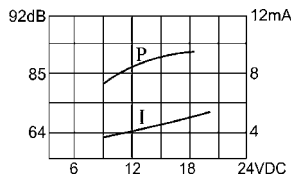
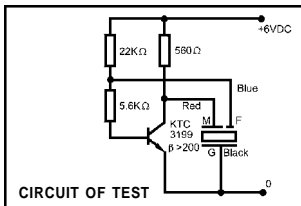
color Black
ABS Housing Material
Lead Terminal

DIMENSIONS



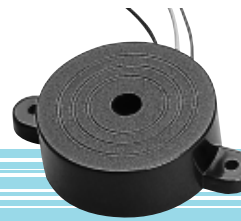
all dimensions are in mm

KPR3-4210 series Piezo Transducer



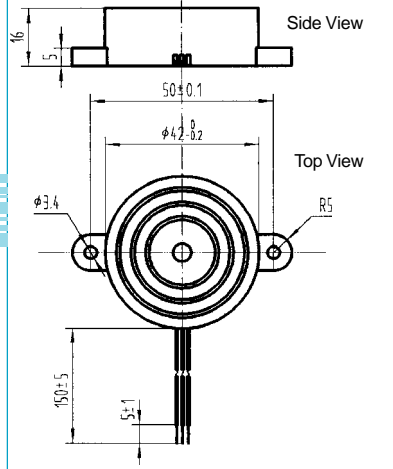
Model No	KPR3-4210
Rated Voltage	12VDC
Operating Voltage	3~24VDC
Max. Rated Current	15mA at 12VDC
Min. Sound Pressure Level	85dB at 12VDC/30cm
Resonant Frequency	2.8±0.5KHz
Tone Nature	Continuous
Operating Temperature	-20~+60±æ
Weight	10g

* Value applying at rated voltage



color Black
ABS Housing Material
Lead Terminal

DIMENSIONS



all dimensions are in mm

The information contained herein is believed to be correct, but no guarantee for accuracy, completeness, DSW Electronics Ltd. reserves the right to make changes without notification.