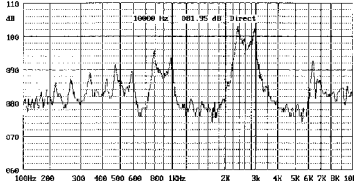


Piezo Transducer

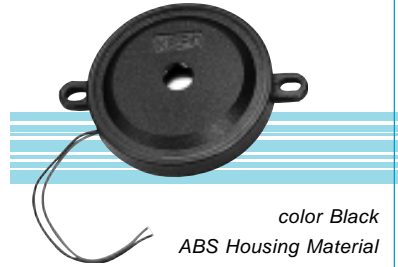
KPR-5020 series Piezo Transducer

FREQUENCY RESPONSE
[actual curve of type]



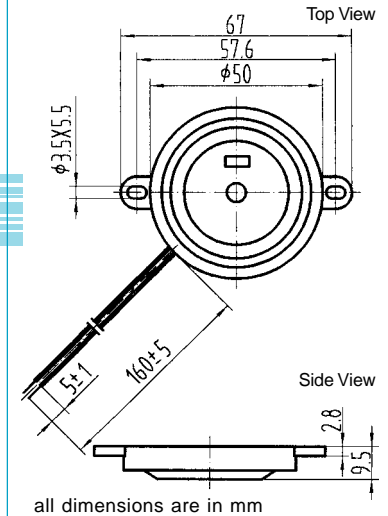
applied voltage: 12Vp-p, 1/2 duty, square wave distance for measurement: 30cm

Model No	KPR-5020
Rated Voltage	12Vp-p Square Wave
Max. Allowable Voltage	30Vp-p Square Wave
Max. Rated Current	4mA at 0.9KHz/12Vp-p Square Wave
Min. Sound Pressure Level	80dB at 0.9KHz/12Vp-p Square Wave/30cm
Resonant Frequency	0.9j±0.5KHz
Operating Temperature	-20~+60jæ
Weight	12g



color Black
ABS Housing Material
Lead Terminal

DIMENSIONS

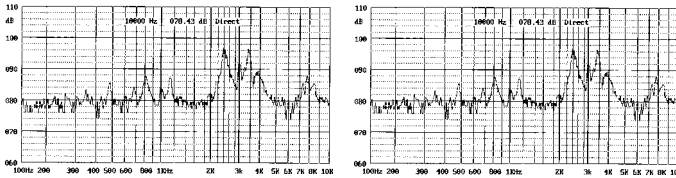


all dimensions are in mm

* Value applying at rated voltage

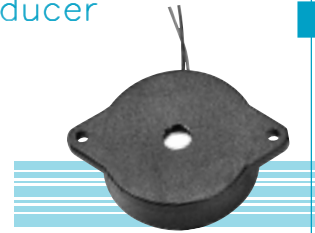
KPR-4420 series Piezo Transducer

FREQUENCY RESPONSE
[actual curve of type]



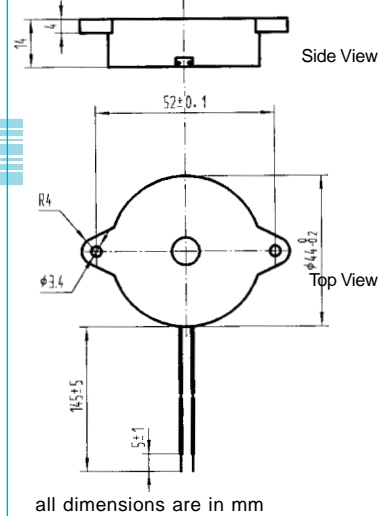
applied voltage: 12Vp-p, 1/2 duty, square wave distance for measurement: 30cm

Model No	KPR-4420	KPR-4420G
Rated Voltage	12Vp-p Square Wave	12Vp-p Square Wave
Max. Allowable Voltage	30Vp-p Square Wave	30Vp-p Square Wave
Max. Rated Current	4mA at 1.0 KHz/12Vp-p Square Wave	4mA at 1.0 KHz/12Vp-p Square Wave/30cm
Resonant Frequency	1.0j±0.5KHz	1.0j±0.5KHz
Operating Temperature	-20~+60jæ	-20~+60jæ
Weight	10g	10g



color Black
ABS Housing Material
Lead Terminal

DIMENSIONS

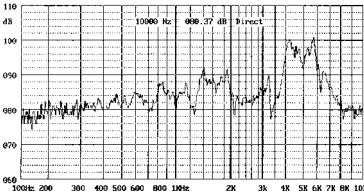


all dimensions are in mm

* Value applying at rated voltage

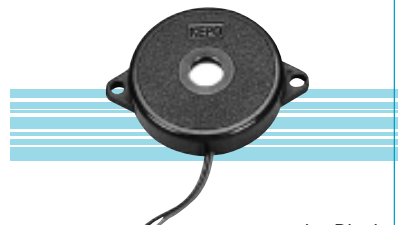
KPR-3510GC series Piezo Transducer

FREQUENCY RESPONSE
[actual curve of type]



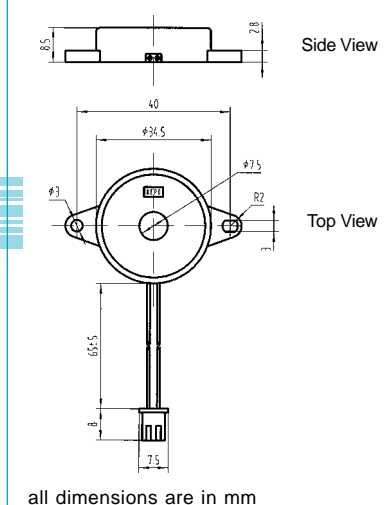
applied voltage: 12Vp-p, 1/2 duty, square wave distance for measurement: 30cm

Model No	KPR-3510GC
Rated Voltage	12Vp-p Square Wave
Max. Allowable Voltage	30Vp-p Square Wave
Max. Rated Current	3mA at 1.0KHz/12Vp-p Square Wave
Min. Sound Pressure Level	78dB at 1.0KHz/12Vp-p Square Wave/30cm
Resonant Frequency	1.0j±0.5KHz
Operating Temperature	-20~+60jæ
Weight	5g



color Black
ABS Housing Material
Lead Terminal

DIMENSIONS



all dimensions are in mm

* Value applying at rated voltage

The information contained herein is believed to be correct, but no guarantee for accuracy, completeness, DSW Electronics Ltd. reserves the right to make changes without notification.