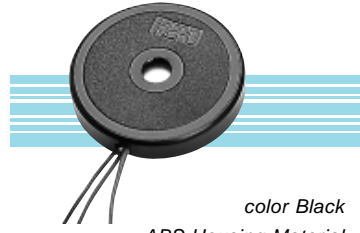
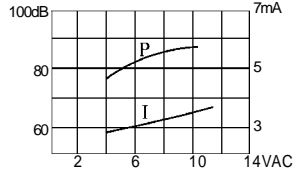
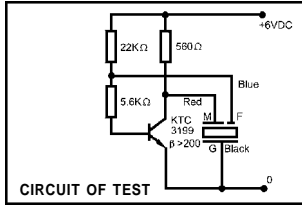
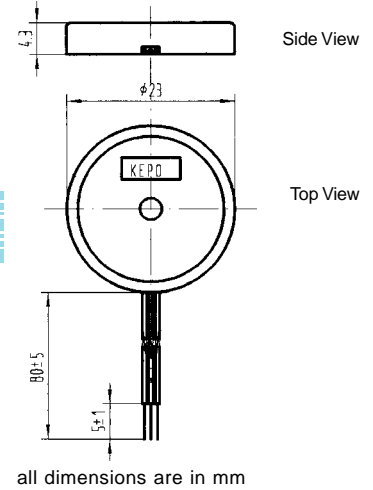


KPR3-2313 series Piezo Telephone Ringer

DIMENSIONS



color Black  
ABS Housing Material  
Lead Terminal



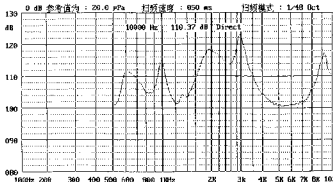
<b>Model No</b>	<b>KPR3-2313</b>
Rated Voltage	6VDC
Operating Voltage	3-18VDC
Max. Rated Current	5mA at 6VDC
Min. Sound Pressure Level	80dB at 6VDC/30cm
Resonant Frequency	4.0j±0.5KHz
Tone Nature	Continuous
Operating Temperature	-20~+60jæ
Weight	2g

\* Value applying at rated voltage

KPT-2320D series Piezo Telephone Ringer

DIMENSIONS

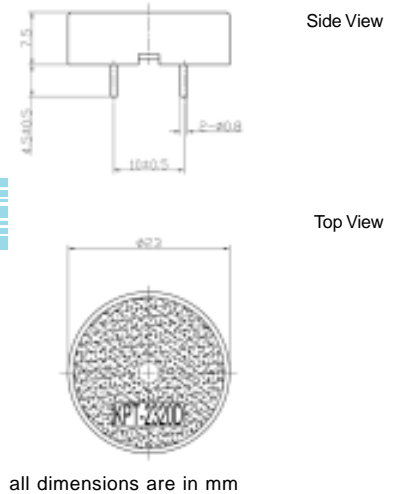
FREQUENCY RESPONSE  
[actual curve of type]



applied voltage: 12Vp-p, 1/2 duty, square wave distance for measurement: 10cm



color Black  
PA Housing Material  
Pin Terminal



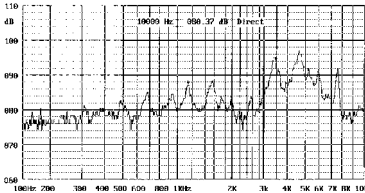
<b>Model No</b>	<b>KPT-2320D</b>
Rated Voltage	9Vp-p Square Wave
Max. Allowable Voltage	30Vp-p Square Wave
Max. Rated Current	3mA at 2.0KHz/9Vp-p Square Wave
Rated Frequency	2.0j±0.5KHz
Min. Sound Pressure Level	78dB at 2.0KHz/9Vp-p Square Wave/10cm
Capacitance at 100Hz	30000pFjA30%
Housing Material/Color	PA/Black
Operating Temperature	-20jæ~+80jæ
Store Temperature	-30jæ~+100jæ
Weight	2.5g

\* Value applying at rated voltage

KPT-2340 series Piezo Transducer

DIMENSIONS

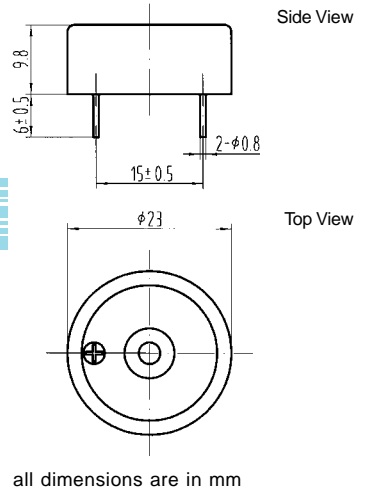
FREQUENCY RESPONSE  
[actual curve of type]



applied voltage: 12Vp-p, 1/2 duty, square wave distance for measurement: 10cm



color Black  
ABS Housing Material  
Pin Terminal



<b>Model No</b>	<b>KPT-2340</b>
Rated Voltage	12Vp-p Square Wave
Max. Allowable Voltage	30Vp-p Square Wave
Max. Rated Current	4mA at 3.5KHz/12Vp-p Square Wave
Min. Sound Pressure Level	80dB at 3.5KHz/12Vp-p Square Wave/10cm
Resonant Frequency	3.5j±0.5KHz
Operating Temperature	-20~+60jæ
Weight	3g

\* Value applying at rated voltage

The information contained herein is believed to be correct, but no guarantee for accuracy, completeness, DSW Electronics Ltd. reserves the right to make changes without notification.