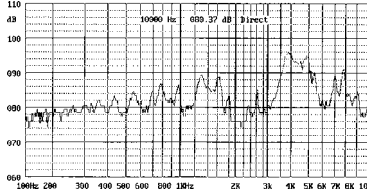


Piezo Transducer

KPT-1210 series Piezo Transducer

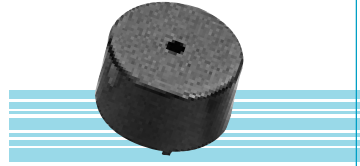
FREQUENCY RESPONSE
[actual curve of type]



applied voltage: 12Vp-p, 1/2 duty, square wave distance for measurement: 10cm

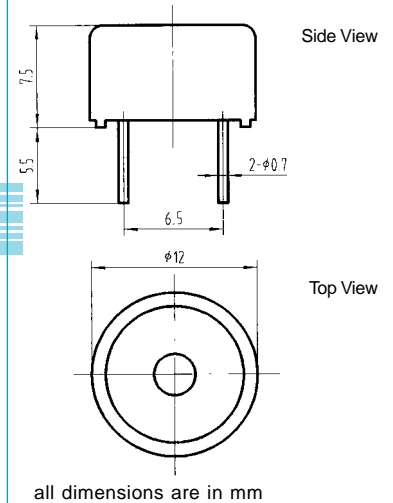
Model No	KPT-1210
Rated Voltage	12Vp-p Square Wave
Max. Allowable Voltage	30Vp-p Square Wave
Max. Rated Current	3mA at 4.5 KHz/12Vp-p Square Wave
Min Sound Pressure Level	80dB at 4.5 KHz/12Vp-p Square Wave/10cm
Resonant Frequency	4.5j±0.5KHz
Operating Temperature	-20~+80jæ
Weight	2g

* Value applying at rated voltage



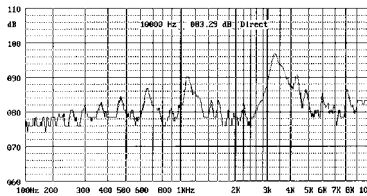
color Black
PC Housing Material
Pin Terminal

DIMENSIONS



KPT-1720 series Piezo Transducer

FREQUENCY RESPONSE
[actual curve of type]



applied voltage: 12Vp-p, 1/2 duty, square wave distance for measurement: 10cm

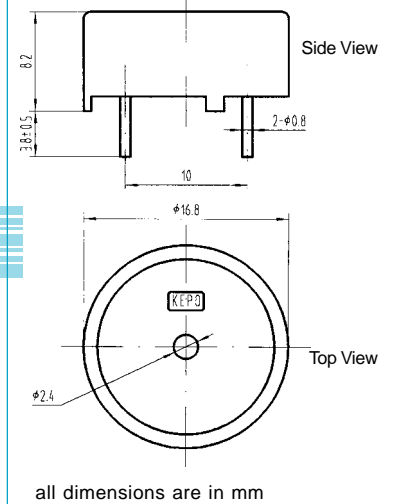
Model No	KPT-1720
Rated Voltage	12Vp-p Square Wave
Max. Allowable Voltage	30Vp-p Square Wave
Max. Rated Current	3mA at 4.0KHz/12Vp-p Square Wave
Min Sound Pressure Level	85dB at 4.0KHz/12Vp-p Square Wave/10cm
Resonant Frequency	4.0j±0.5 KHz
Operating Temperature	-20~+60jæ
Weight	2g

* Value applying at rated voltage



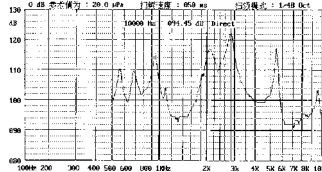
color Black
PC Housing Material
Pin Terminal

DIMENSIONS



KPT-3018series Piezo Transducer

FREQUENCY RESPONSE
[actual curve of type]



applied voltage: 12 Vp-p, 1/2 duty, square wave distance for measurement: 10cm

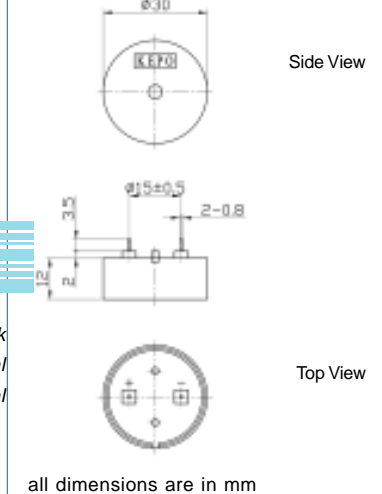
Model No	KPT-3018
Rated Voltage	12Vp-p Square Wave
Operating Voltage	3j±30Vp-p Square Wave
Max. Rated Current	4mA
Min. Sound Pressure Level	75dB/30cm
Resonant Frequency	2.0j±0.5KHz
Capacitance at 100Hz	26000pFj±30%pF
Housing Material / Color	PC/Black
Operating Temperature	-20j~+85jæ
Store Temperature	-30j~+85jæ
Weight	6g

* Value applying at rated voltage



color Black
PC Housing Material
Pin Terminal

DIMENSIONS



The information contained herein is believed to be correct, but no guarantee for accuracy, completeness DSW Electronics Ltd. reserves the right to make changes without notification.