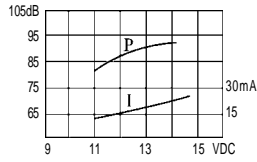
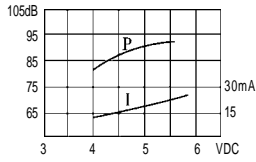
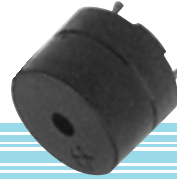


KPX-1200C series Magnetic Buzzer



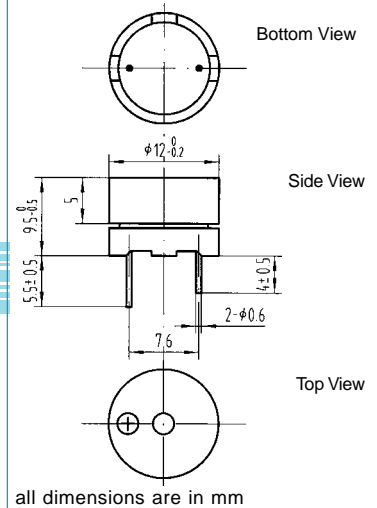
Model No	KPX-1205C	KPX-1212C
Rated Voltage	5VDC	12 VDC
Operating Voltage	4-8 VDC	9-15VDC
Max. Rated Current	30mA/5VDC	30mA/12VDC
Resonant Frequency	/	/
Min. Sound Pressure Level	80dB/10cm	80dB/10cm
Tone Nature	Pulse	Pulse
Operating Temperature	-20~+70;æ	-20~+70;æ
Weight	2 g	2 g

* Value applying at rated voltage

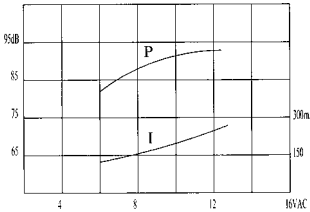


color Black
PBT Housing Material
Pin Terminal

DIMENSIONS

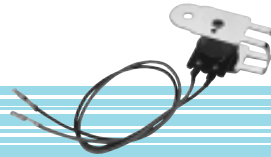


KPMB-38012LC series Magnetic Buzzer



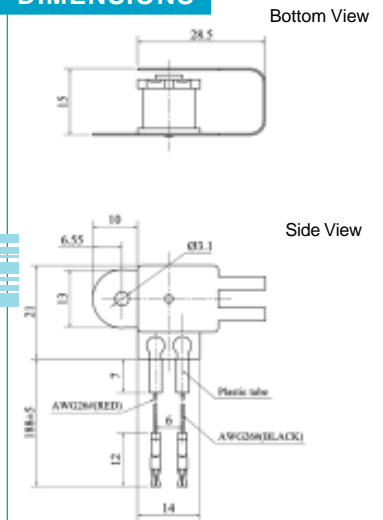
Model No	KPMB-38012LC
Rated Voltage	12VAC/50Hz
Operating Voltage	10.5j~13.5VAC/50Hz
Max. Rated Current	250mA at 12VAC
Coil Resistance	54.5j, ±10%
Min. Sound Pressure Level	75dB at 12VAC/20cm
Housing Material / Color	ABS/Black
Operating Temperature	-20j~+60;æ
Store Temperature	-30j~+70;æ
Weight	11g

* Value applying at rated voltage

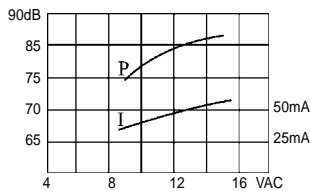


color black
ABS Housing Material
Lead Terminal

DIMENSIONS



KPMB-2612P4 series Mechanical Transducer



Model No	KPMB-2612P4
Rated Voltage	12VDC
Operating Voltage	9-15VDC
Max. Rated Current	55mA at 12VDC
Min. Sound Pressure Level	80dB at 12VDC/20cm
Resonant Frequency	400j~100Hz
Operating Temperature	-20~+60;æ
Weight	10g

* Value applying at rated voltage



color White
ABS Housing Material
Pin Terminal

DIMENSIONS

