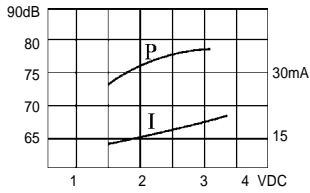
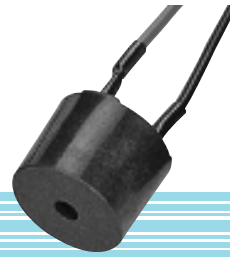


## KPX-1203AL series Magnetic Buzzer



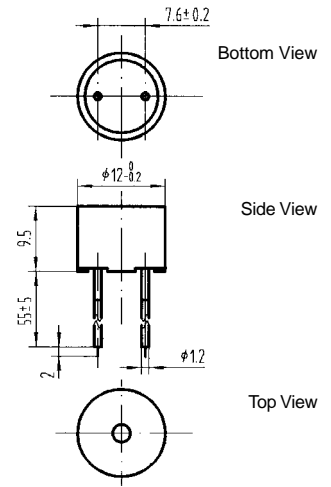
Model No	KPX-1203AL
Rated Voltage	3VDC
Operating Voltage	2~5VDC
Max. Rated Current	30mA/3VDC
Min. Sound Pressure Level	80dB/10cm
Resonant Frequency	2300 <sub>i</sub> Å300Hz
Operating Temperature	-20~+70 <sub>i</sub> æ
Weight	2g

\* Value applying at rated voltage



color Black  
PBT Housing Material  
Lead Terminal

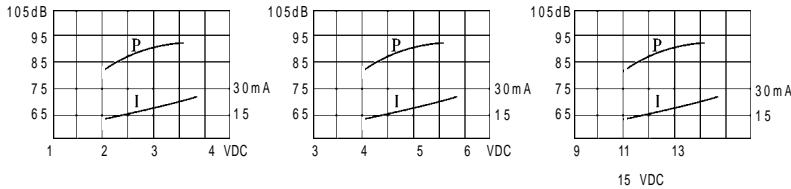
### DIMENSIONS



all dimensions are in mm

## KPX-1200UB series Magnetic Buzzer

Model No	KPX-203UB	KPX-1205UB	KPX-1212UB
Rated Voltage	3VDC	5VDC	12VDC
Operating Voltage	2~5VDC	4~8VDC	8~15VDC
Max. Rated Current	30mA/3VDC	30mA/5VDC	30mA/12VDC
Min. Sound Pressure Level	85dB/10cm	85dB/10cm	85dB/10cm
Resonant Frequency	2300 <sub>i</sub> Å500Hz	2300 <sub>i</sub> Å500Hz	2300 <sub>i</sub> Å500Hz
Operating Temperature	-20~+70 <sub>i</sub> æ	-20~+70 <sub>i</sub> æ	-20~+70 <sub>i</sub> æ
Weight	2g	2g	2g

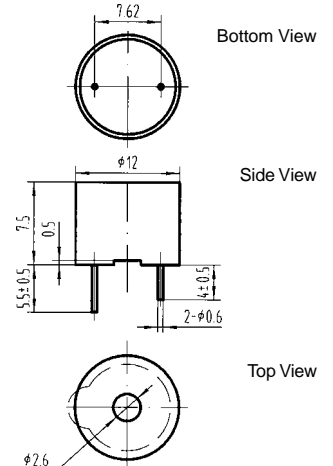


\* Value applying at rated voltage



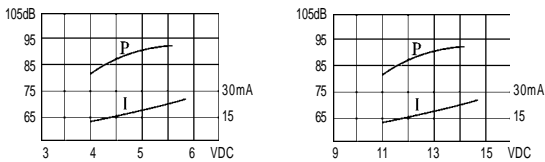
color Black  
PBT Housing Material  
Pin Terminal

### DIMENSIONS



all dimensions are in mm

## KPX-1605A KPX-1612A series Magnetic Buzzer



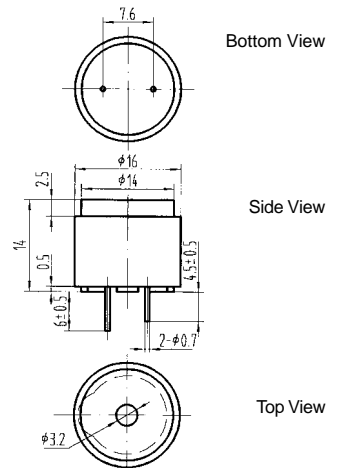
Model No	KPX-1605A	KPX-1612A
Rated Voltage	5VDC	12VDC
Operating Voltage	4~8VDC	8~15VDC
Max. Rated Current	3mA/5VDC	30mA/12VDC
Min. Sound Pressure Level	85dB/10cm	85dB/10cm
Resonant Frequency	2300 <sub>i</sub> Å300Hz	2300 <sub>i</sub> Å300Hz
Operating Temperature	-20~+70 <sub>i</sub> æ	-20~+70 <sub>i</sub> æ
Weight	7g	7g

\* Value applying at rated voltage



color Black  
MPPO Housing Material  
Pin Terminal

### DIMENSIONS



all dimensions are in mm

The information contained herein is believed to be correct, but no guarantee for accuracy, completeness, DSW Electronics Ltd. reserves the right to make changes without notification.