

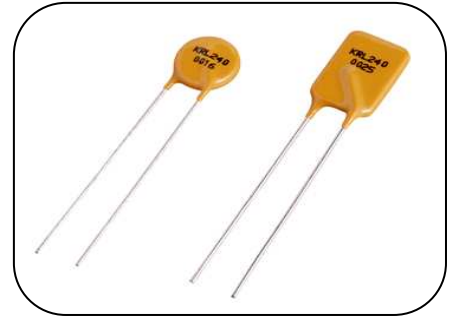
Polymer PTC Resettable Fuse: KRL Type

KRL240 Radial Leded Type 240V



■ Features

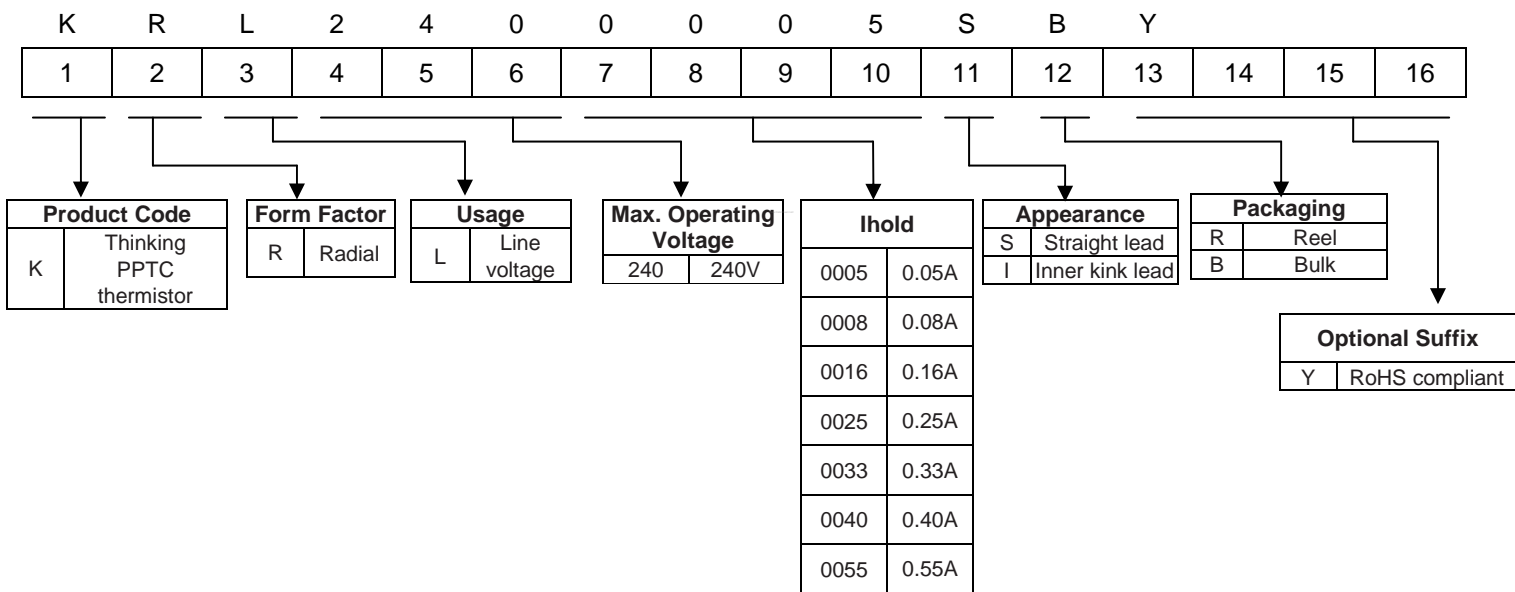
1. RoHS compliant
2. Radial leaded devices
3. Current ratings from 0.05A ~ 0.55A
4. Maximum operating voltage: 240 V_{AC}
5. Operating temperature range : -40 ~ +85°C
6. Agency Approval: UL/cUL/TUV



■ Recommended Applications

1. Motors, fans and blowers
2. Power supplies
3. Transformers
4. Industrial controllers

■ Part Number Code



Polymer PTC Resettable Fuse: KRL Type

KRL240 Radial Leaded Type 240V



■ Structure and Dimensions

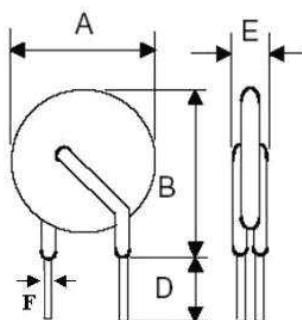


Figure 1

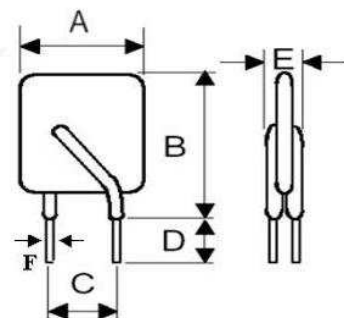


Figure 2

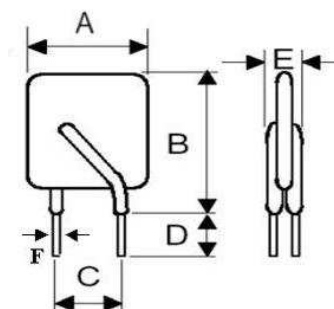


Figure 3

Part No.	A	B	C	D	E	F	(Unit: mm) Figure
	Max.	Max.	Typ.	Min.	Max.	Typ.	
KRL2400005	8.3	10.7	5.1	7.6	3.8	0.51	1
KRL2400008	8.3	10.7	5.1	7.6	3.8	0.51	1
KRL2400012	8.3	10.7	5.1	7.6	3.8	0.51	1
KRL2400016	9.9	12.5	5.1	7.6	3.8	0.51	1
KRL2400025	9.6	17.4	5.1	7.6	3.8	0.65	2
KRL2400033	11.4	16.5	5.1	7.6	3.8	0.65	2
KRL2400040	11.5	19.5	5.1	7.6	3.8	0.65	2
KRL2400055	14.0	21.7	5.1	7.6	4.1	0.81	3

■ Electrical Characteristics(@23°C)

Part No.	Vmax.	Imax.	Ihold	Itrip	Pd (Typ.)	Max. Time to Trip		Resistance		Agency Approval	
						Current	Time	Initial (Ri Min.)	Post trip (R1 Max.)	UL/cUL	TUV
KRL2400005	240	1.0	0.05	0.12	0.7	0.25	15.00	18.50	65.00	√	√
KRL2400008	240	1.2	0.08	0.19	0.8	0.40	15.00	7.40	26.00	√	√
KRL2400012	240	1.2	0.12	0.30	1.0	0.60	15.00	3.00	12.00	√	√
KRL2400016	240	2.0	0.16	0.37	1.4	0.80	15.00	2.50	7.80	√	√
KRL2400025	240	3.5	0.25	0.56	1.5	1.25	18.50	1.30	3.80	√	√
KRL2400033	240	4.5	0.33	0.74	1.7	1.65	18.50	0.83	2.60	√	√
KRL2400040	240	5.5	0.40	0.90	2.0	2.00	24.00	0.60	1.90	√	√
KRL2400055	240	7.0	0.55	1.25	3.4	2.75	26.00	0.45	1.45	√	√

Note: UL&cUL File no. E138827

TUV File no. R50166038

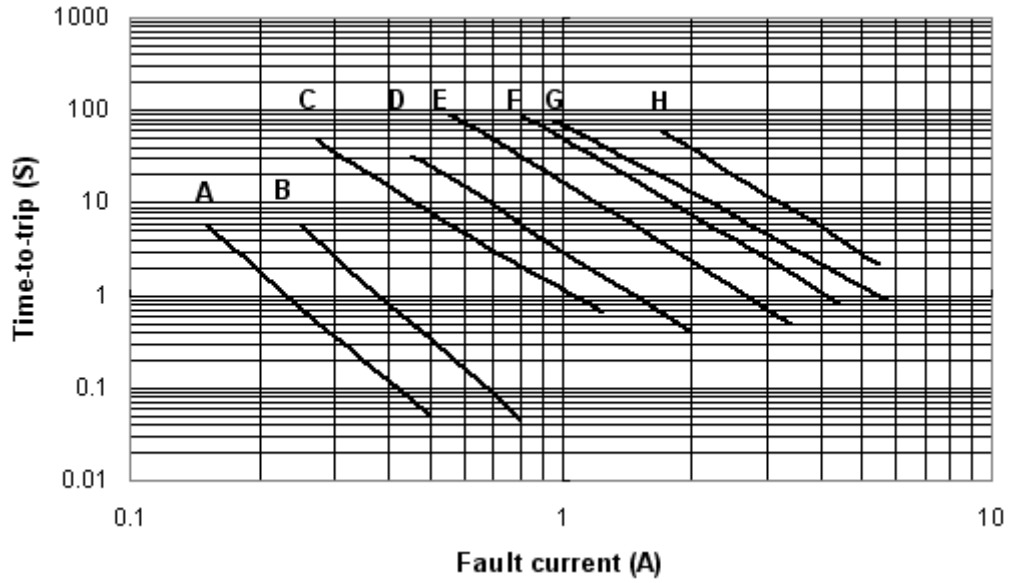
Polymer PTC Resettable Fuse: KRL Type

KRL240 Radial Leaded Type 240V

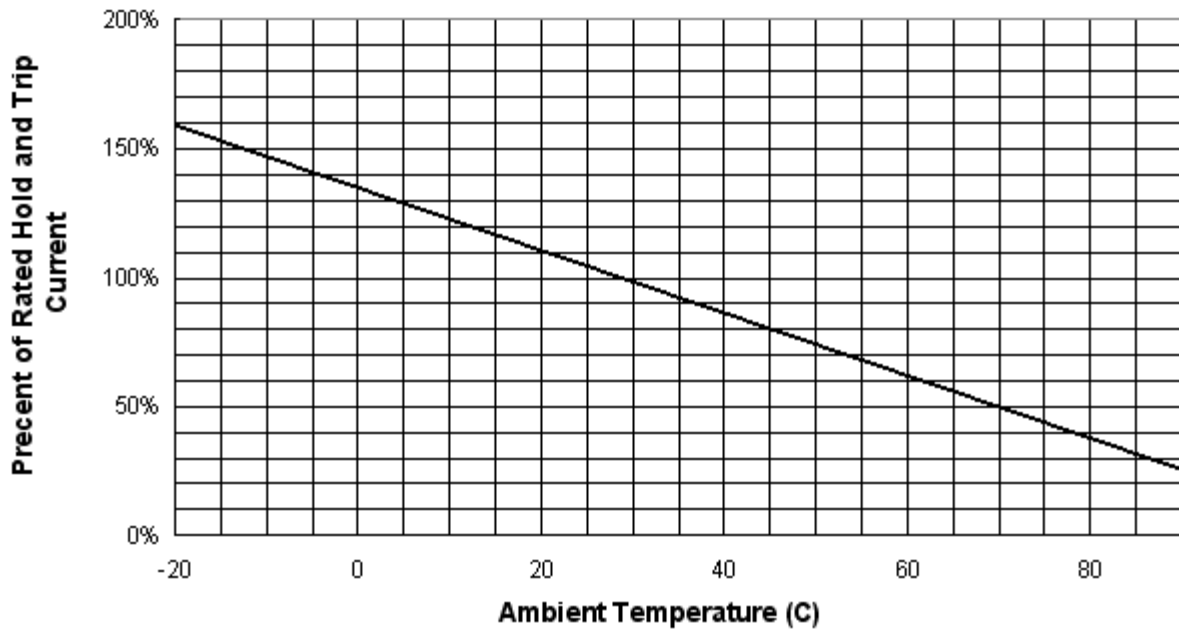


■ Typical Time to Trip Curves at 23°C

- A= KRL2400005
- B= KRL2400008
- C= KRL2400012
- D= KRL2400016
- E= KRL2400025
- F= KRL2400033
- G= KRL2400040
- H= KRL2400055



■ Derating Curve



Polymer PTC Resettable Fuse: KRL Type

KRL240 Radial Leaded Type 240V



■ Packaging

● Tape & Reel Specification

See table below and Fig. 1~3 for details

Description	EIA Mark	Dimensions (mm)	Tolerance (mm)
Sprocket hole pitch	P ₀	12.7	±0.3
Ordinate to adjacent component lead KRL2400005-KRL2400040	P ₁	3.6	±1.0
Ordinate to adjacent component lead KRL2400055		3.45	
Device pitch KRL2400005-KRL2400040	P	12.7	±1.0
Device pitch KRL2400055		25.4	
Carrier tape width	W	18.0	±1.0
Top distance between tape edges	W ₀	3.0	Max
Hold-down tape width	W ₁	12.0	±1.0
Lead spacing	C	See "Structure and Dimensions"	--
Abscissa to top KRL2400005-KRL2400016	H ₁	32.2	max
Abscissa to top KRL2400025-KRL2400055		47.5	
Abscissa to plane (straight lead)	H	18.0	+2/-0
Abscissa to plane (kinked lead)	H ₀	16.0	±0.5
Sprocket hole position	W ₂	9	+0.75/-0.5
Sprocket hole diameter	D ₀	4.0	±0.2
Lead protrusion	L ₁	1.0	Max
Tape thickness	t	0.9	Max
Body tape plane deviation	Δp	0	±1.3
Body lateral deviation	Δh	0	±1.0
Reel width	W3	56	Max.
Reel diameter		340	±10.0
Arbor hold diameter	n0	31	±1
Core diameter	n	80	Min.

● Taping Specification

Figure 1.

KRL2400005-KRL2400016

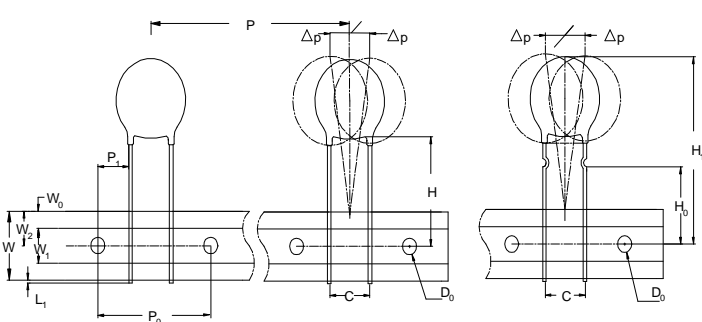
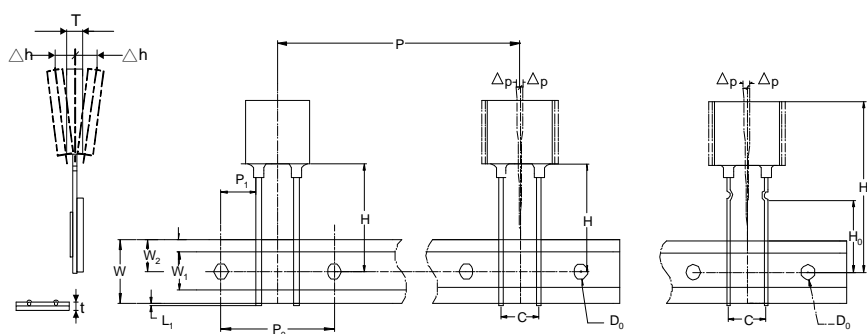


Figure 2.

KRL2400025-KRL2400055



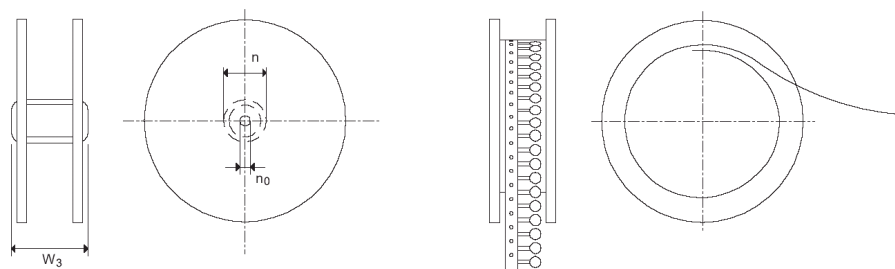
Polymer PTC Resettable Fuse: KRL Type

KRL240 Radial Leaded Type 240V



● Reel Specification

Figure 3.



■ Quantity

● Bulk Packing

Part No.	Pcs/ Bag
KRL2400005- KRL2400016	500
KRL2400025	300
KRL2400033- KRL2400055	200

● Reel Packing

Part No.	Pcs/ Reel
KRL2400005- KRL2400016	2000
KRL2400025-KRL2400040	1500
KRL2400055	1000

■ Storage Conditions of Products

- Storage Conditions :
 1. Storage Temperature: $-10^{\circ}\text{C} \sim +40^{\circ}\text{C}$
 2. Relative humidity: $\leq 75\% \text{RH}$
 3. Thermistors must be kept away from sunlight and stored in a non-corrosive atmosphere.
- Period of Storage : 1 year