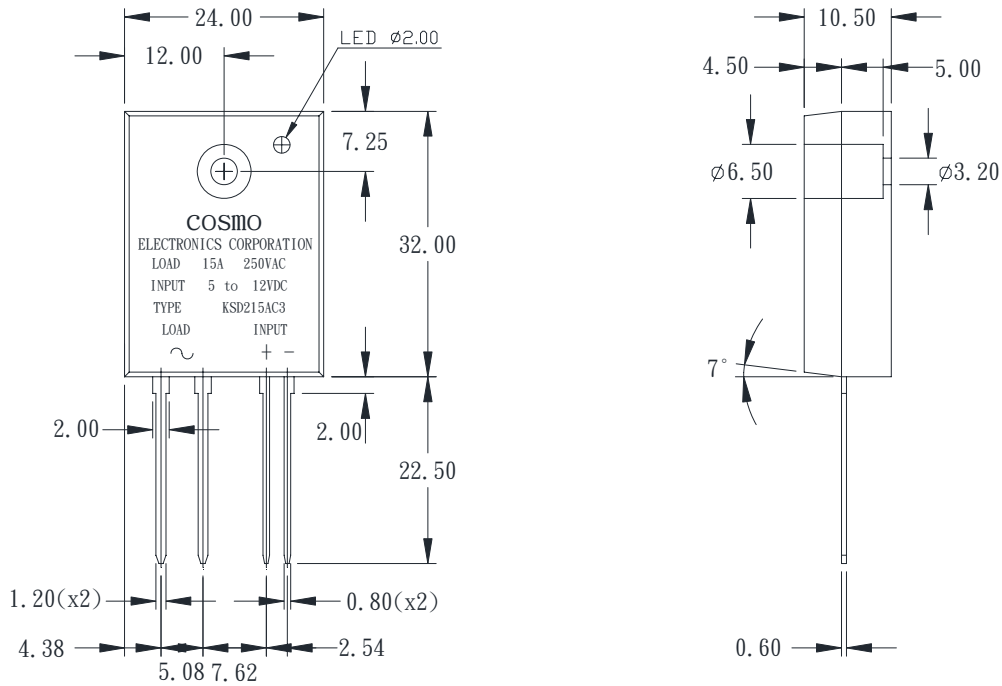


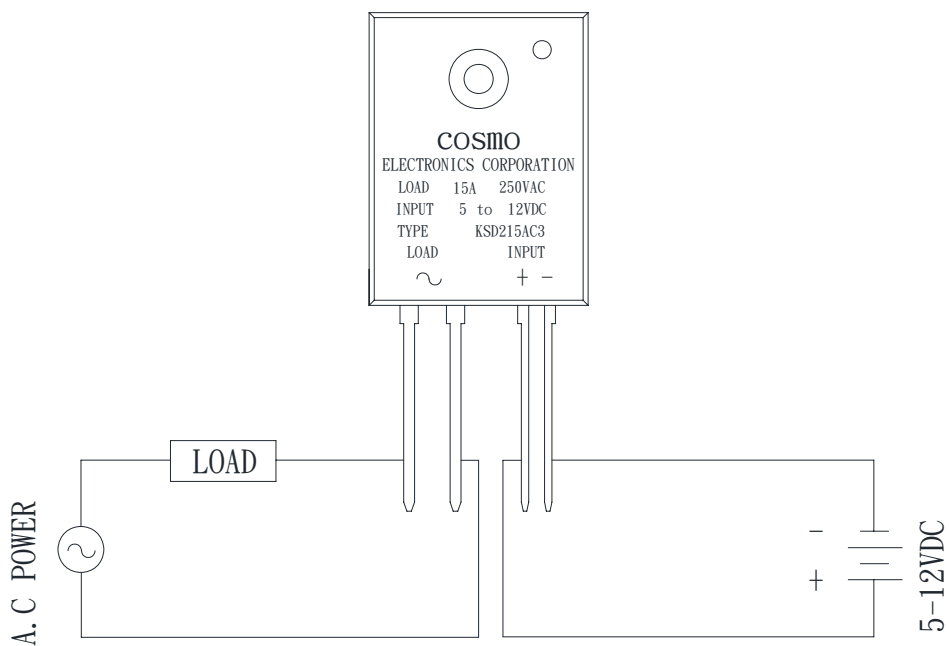
# PRODUCT SPECIFICATION

<b>cosmo</b> ELECTRONICS CORPORATION	SOLID STATE RELAY : <b>KSD215AC3</b>	NO. 58032215	REV. 6
		SHEET 1 OF 3	

## 1. OUTSIDE DIMENSION : UNIT ( mm )



## 2. SCHEMATIC : TOP VIEW



# PRODUCT SPECIFICATION

<b>cosmo</b> ELECTRONICS CORPORATION	SOLID STATE RELAY :	NO. 58032215	REV.
	<b>KSD215AC3</b>	SHEET 2 OF 3	6

## 3. Absolute Maximum Ratings

(Ta=25°C)

Parameter		Symbol	Rating	Unit
Input	Input signal voltage	$V_{IN}$	5-12	VDC
	Drop-out voltage	$V_{do}$	1	VDC
Output	RMS on-state current	$I_T$	15	Arms
	Peak one cycle surge current	$I_{surge}$	150	A
	Repetitive peak-off state voltage	$V_{DRM}$	600	V
	Operating frequency	f	47~70	Hz
	Critical rate of rise of on-state current	di/dt	50	A/us
	Load supply voltage	$V_{out}$	250	Vrms AC
Isolation voltage input to output		$V_{iso}$	4000	Vrms
Operating temperature		$T_{opr}$	-30~100	°C
Storage temperature		$T_{stg}$	-30~125	°C
Soldering temperature 10 sec		$T_{sol}$	260	°C

## 4. Electrical Characteristics

(Ta=25°C)

Parameter		Symbol	Conditions	MIN	TYP	MAX	Unit
Input	Pick-up voltage	$V_{pu}$	$I_T=1Arms$			4	VDC
	Input current	$I_{in}$	$V_{in}=5\sim 12V$	5		35	mA
Output	On-state voltage	$V_T$	$I_T=1Arms$			1.5	Vrms
	Operating current	$I_{op}$	$V_{out}=240vrms$	50			mArms
	Leakage current	$I_{leak}$	$V_{out}=240vrms$			7	mArms
	Critical rate of rise of off-state voltage	dv/dt		50	200		V/us
	Zero-cross voltage	$V_{ox}$			YES		
	Load Voltage Rating	$V_{out}$	$I_T=50mArms$ MIN	50		280	VAC
Minimum trigger current		$I_{FT}$	$V_{DRM}=600V$			25	mA
Isolation resistance input to output		$R_{ISO}$	DC500V	10			GΩ
Turn-on time		$T_{on}$	60Hz AC			8.3	mS
Turn-off time		$T_{off}$	60Hz AC			8.3	mS
Thermal resistance (between junction and case)		$R_{th}$ (j-c)			1.3		°C/W

# PRODUCT SPECIFICATION

<b>cosmo</b> ELECTRONICS CORPORATION	SOLID STATE RELAY :	NO. 58032215	REV.
	<b>KSD215AC3</b>	SHEET 3 OF 3	6

- **Application Notice**

The statements regarding the suitability of products for certain types of applications are based on cosmo's knowledge of general applications of cosmo products. Such statements are not binding statements about the suitability of products for a particular application. It is the customer's responsibility to verify the specifications are suitable for use in a particular application. Customers are solely responsible for all aspects of their own product design or applications. The parameters provided in the datasheet may vary in different applications and performance may vary over time. All operating parameters (including typical parameters) must be validated by customer's technical experts for different applications. cosmo assumes no liability for customer' product design or applications. Product specifications do not expand or otherwise change cosmo's terms and conditions of purchase, including but not limited to the warranty expressed therein.

When using cosmo products, please comply with safety standards and instructions. cosmo has no liability and responsibility to the damage caused by improper use of the instructions specified in the specifications.

cosmo products are designed for use in general electronic equipment such as telecommunications, office automation equipments, personal computers, test and measurement equipments, consumer electronics, industrial control, instrumentation, audio, video.

cosmo devices shall not be used in equipment that requires higher level of reliability and safety, such as nuclear power control equipment, telecommunication equipment(trunk lines), space application, medical and other life supporting equipments, and equipment for aircraft, military, automotive or any other application that can cause human injury or death.

cosmo reserves the right to change the specifications, data, characteristics, structure, materials and other contents at any time without notice. Please contact cosmo to obtain the latest specification.

cosmo disclaim any and all liability for any errors, inaccuracies or incompleteness contained in any datasheet or in any other disclosure relating to any product.