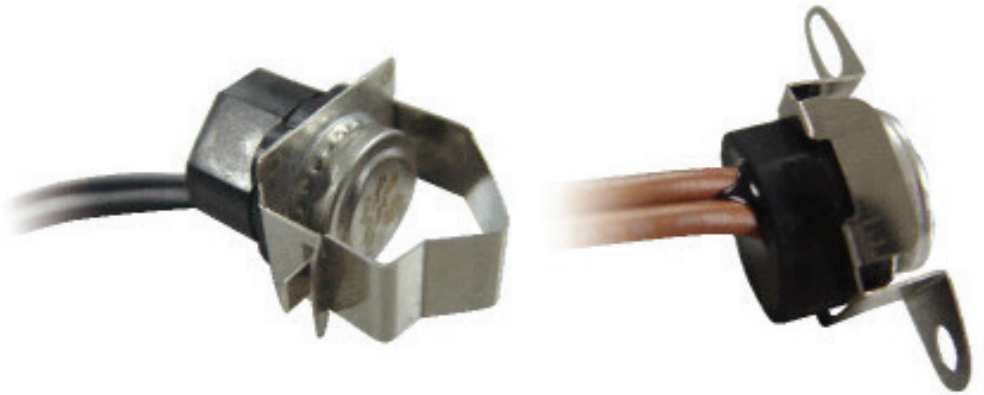


KSD301-M

WATERTIGHT/WATERPROOF THERMOSTAT

The KSD301-M Thermostat is a type of waterproof thermostat that is more waterproof than other products in the KSD301 series. The protection class of the main body is up to IP57. It has a moisture-proof sealed design for use in appliances that use liquids.

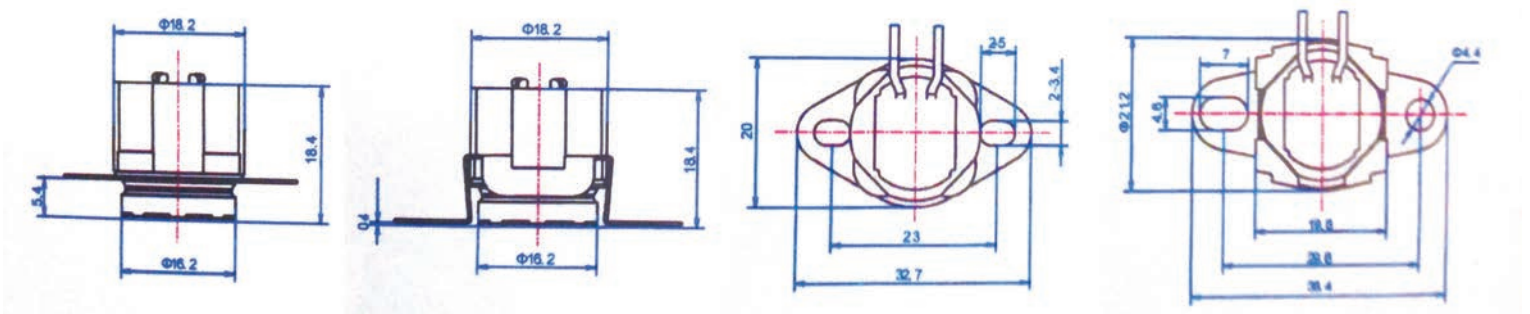


Technical Parameters:

- Rated Current: 10A (Resistive)
- Insulation resistance in water - 100MΩ
With a DC500V megger in water, the tested value is over 100MΩ
- Class of temperature characteristics: Auto-reset, normal close, normal open
- Switch Structure: SPST
- Max OT: 145°C
- Tmax: 185°C
- Safety Certificate

Max OT	Life Cycles	250V 10A	125V 16A
105°C	100,000	UL: E137238, sec. 2	UL: E137238, sec. 2
145°C	10,000	CQC: 12002080177	
	100,000	TUV: R50254301	

Dimensions:



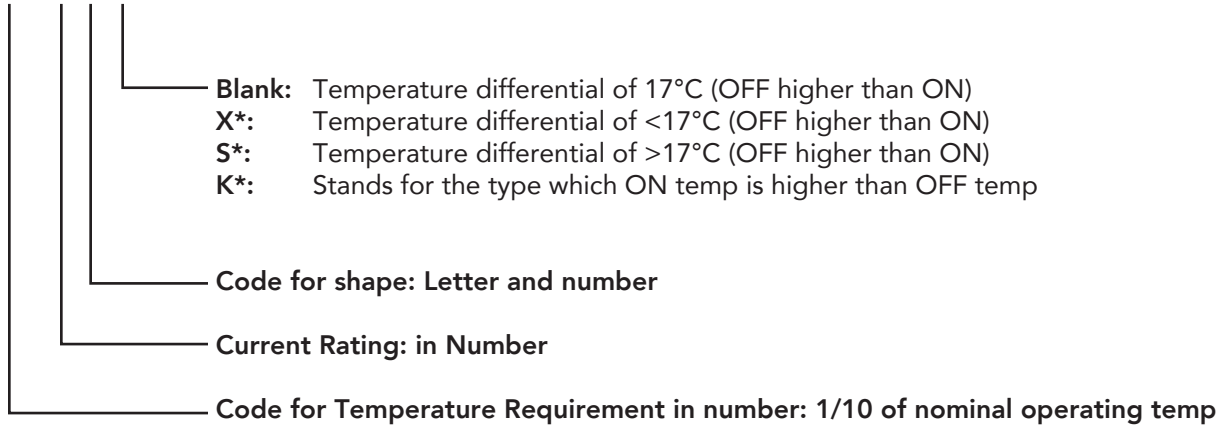
Phone: 330-966-3796
 Fax: 330-408-7085
 sales@calcoelectric.com
 2381 Locust St. S., Unit #6
 Canal Fulton OH, 44614
 www.calcoelectric.com

KSD301-M

WATERTIGHT/WATERPROOF THERMOSTAT

Code System:

KSD301 - X / X X X - M



Directions for Use and Installation:

- Method of earth: By means of the metal cup of thermostat connected in the earthing metal part.
- When the thermostat is used to sense the temperature of solid items, its cover should be clung to the heating part of such items. Meanwhile, heat-conducting silicon grease, or other heat media of similar nature, should be applied to the cover's surface.
- If the thermostat is used to sense the temperature of liquids or steam, it is strongly recommended to adopt a version with stainless-steel cup.
- The top of the cup must not be pressed to sink, so as to avoid adverse effect on the thermostat's temperature sensitivity or its other functions.
- No excessive force shall be applied to working parts to prevent them from defects such as cracking base, distorter terminal wire and lead coming off.



Phone: 330-966-3796
Fax: 330-408-7085
sales@calcoelectric.com
2381 Locust St. S., Unit #6
Canal Fulton OH, 44614
www.calcoelectric.com