

KSD306、KSD306-B和KSD308系列产品

属于手动复位型的保护类温控器，为双刀结构，安全可靠，适用于大功率电热水器（尤其是储水式电热水器）的过热保护。它利用碟形双金属片在温度达到一定值时产生瞬间突跳的原理，通过机构转换，让两对触点迅速分离，从而使两相电路同时断开，达到完全切断电源的目的。当要重新接通电源时，需要按下复位杆。

The series of KSD306、KSD306-B and KSD308 that is of double-pole structure falls in the category of manual reset type thermal protector. The product series, safety and reliable, is used in high-duty electric water heater for overheating protection. When the instant snap of bimetal disc occurs at certain temperature, two contacts separate promptly by means of mechanical transition and simultaneously two-phase circuit disconnects in order to completely cut off power supply. Pressing reset lever will restore the power supply.



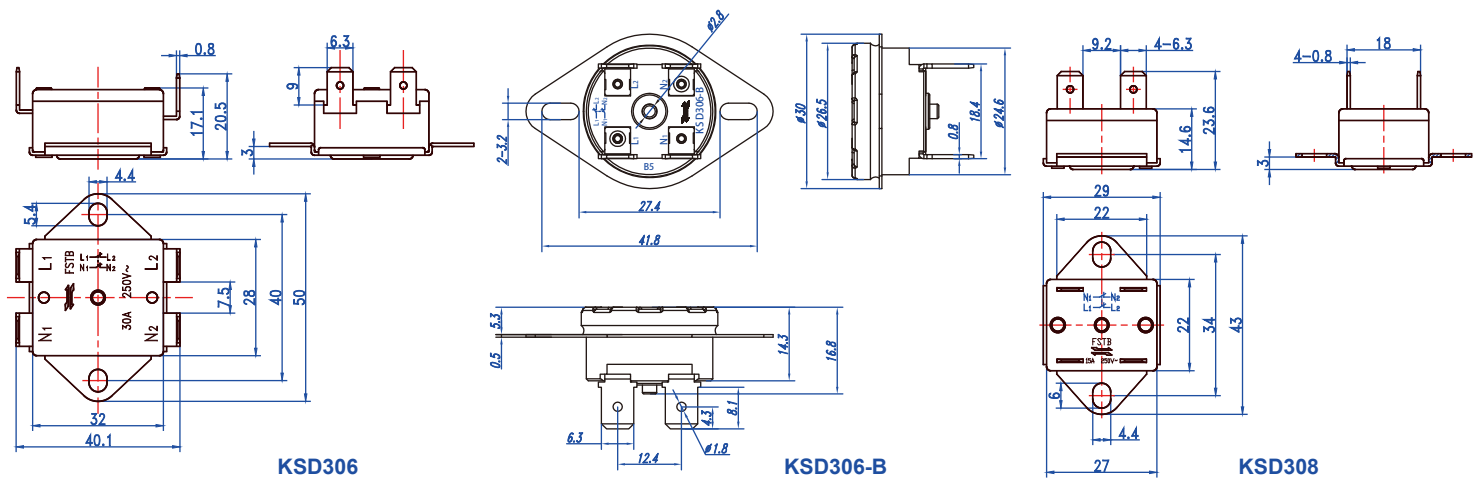
主要技术参数/BASIC TECHNICAL PARAMETER

- ◎ 额定电流（阻性）：Rated current(resistive):
KSD306: 30A KSD306-B: 16A
KSD308: 16A
- ◎ 分断类型 Type of Disconnection
全极断开 All-pole disconnection.
- ◎ 端子间电阻 Resistance
50mΩ以下（数字式毫欧毫伏计，DC10V，1A）
Below 50mΩ (Numeric m & mV meter, by volt-ampere standard, DC10V, 1A)
- ◎ 绝缘电阻 Insulation Resistance
用DC500V绝缘电阻表加额定电压DC500V测定大于100MΩ。
With a DC 500V megger, borne DC 500V, the tested value is over 100MΩ.
- ◎ 电气强度 Dielectric Strength
带电金属部件与非带电金属部件之间能承受接近正弦波的2000V 50Hz交流电压历时一分钟的耐压试验，不击穿，无闪络。
Parts between electriferous components and non-electriferous ones can bear 2000V 50Hz AC current, which is nearly sine wave, for one minute as bearing test. Resulted no breakdown, no flashover.
- ◎ 温度特性类型 Class of Temperature Characteristics
手动复位 Manual reset
- ◎ 最高动作温度 Max. OT
KSD306: 125°C KSD306-B: 125°C
KSD308: 100°C
- ◎ 最低动作温度 Min. OT
KSD306: 40°C KSD306-B: 40°C
KSD308: 40°C
- ◎ 耐热温度 Tmax: 185°C

安全认证/SAFETY CERTIFICATE

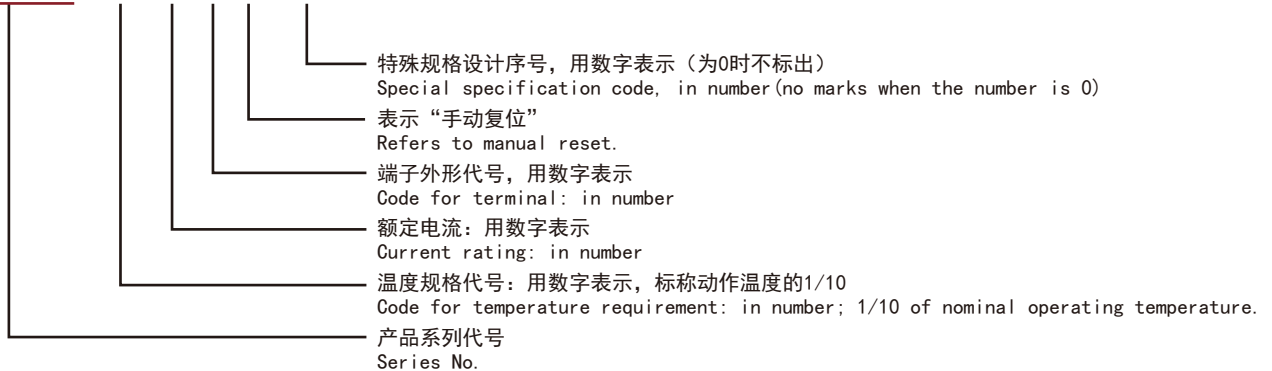
KSD306				KSD306-B				KSD308			
电气参数 Rates	OT范围 OT range	寿命 Life	认证 Certificate	电气参数 Rates	OT范围 OT range	寿命 Life	认证 Certificate	电气参数 Rates	OT范围 OT range	寿命 Life	认证 Certificate
250V 30A	40-125°C	1,0000	CQC: 03002007918 TUV: R50099180	250V 16A	40-125°C	10,000	CQC: 12002084388 TUV: R50099180	250V 16A	≤100°C	10,000	CQC: 03002007918 TUV: R50099180

外形尺寸/SHAPE AND DIMENSION



型号意义/NOMENCLATURE

KSD30₈⁶-□/□□□R□...



安装和使用说明/INSTALLATION AND DIRECTION FOR USE

接地方式: 通过温控器金属外盖与设备接地金属部件相连。

Method of earth: By means of the metal cup of thermostat connected in the earthing metal part.

温控器应工作于空气相对湿度不大于90%、无腐蚀性气、可燃性气体和导电尘埃存在的一般室内环境。

The thermostat should work in environment with humidity not higher than 90%, free of caustic, flammable gas and conducting dust.

温控器采用接触感温时, 应使其封盖紧贴被控器具的发热部位, 并应在封盖感温表面涂上导热硅脂或其他性能类似的导热介质。

When the thermostat is used to sense the temperature of solid items, its cover should be clung to the heating part of such items. Meanwhile, heat-conducting silicon grease, or other heat media of similar nature, should be applied to the cover's surface.

不可把封盖顶部压塌或使其变形, 以免动作温度改变或影响其他性能。

The top of the cup must not be pressed to sink, so as to avoid adverse effect on the thermostat's temperature sensitivity or its other functions.

不得让液体渗入温控器内部! 壳体必须避免受到过大的力以防止出现裂纹; 壳体应保持清洁, 防止导电物质污染, 以免因绝缘性能降低而发生短路击穿。

Liquids must be kept out of the thermostat's inner part! The base must avoid any force that could lead to crack; it should be kept clear and away from the pollution of electric substance to prevent insulation weakening that leads to short-circuited damages.

使用过程不能折弯接线端子, 否则将影响电气连接的可靠性。

The terminals should be bent, or else, the reliability of electric connection will be influenced.