

isc Silicon NPN Power Transistors
KSE44H Series
DESCRIPTION

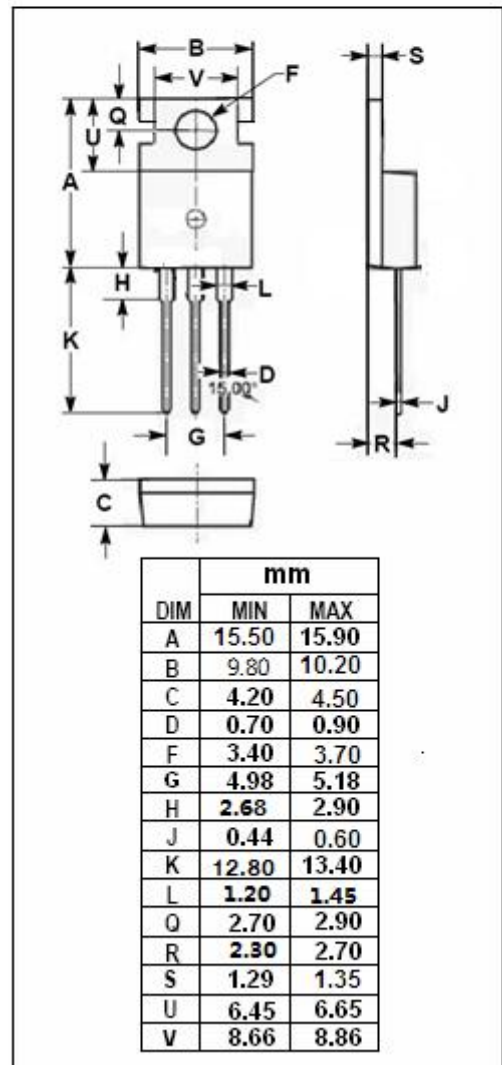
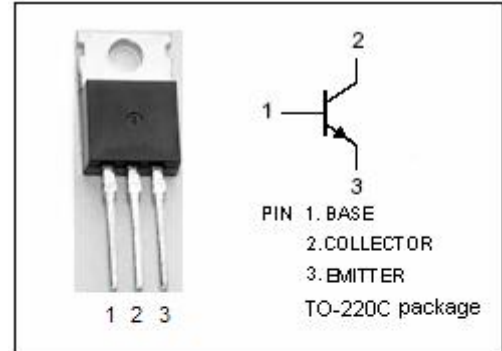
- Low Saturation Voltage
- Fast Switching Speeds
- Complement to Type KSE45H Series
- 100% avalanche tested
- Minimum Lot-to-Lot variations for robust device performance and reliable operation

APPLICATIONS

- Designed for general purpose power switching applications

ABSOLUTE MAXIMUM RATINGS(T_a=25°C)

SYMBOL	PARAMETER	VALUE	UNIT	
V _{CEO}	Collector-Emitter Voltage	KSE44H 1,2	30	V
		KSE44H 4,5	45	
		KSE44H 7,8	60	
		KSE44H 10,11	80	
V _{EBO}	Emitter-Base Voltage	5	V	
I _C	Collector Current-Continuous	10	A	
I _{CM}	Collector Current-Peak	20	A	
P _C	Collector Power Dissipation @T _C =25°C	50	W	
P _a	Collector Power Dissipation @T _a =25°C	1.67	W	
T _J	Junction Temperature	-55~150	°C	
T _{stg}	Storage Temperature Range	-55~150	°C	



isc Silicon NPN Power Transistors
KSE44H Series
ELECTRICAL CHARACTERISTICS

 T_c=25°C unless otherwise specified

SYMBOL	PARAMETER		CONDITIONS	MIN	TYP	MAX	UNIT
V _{CE(sat)}	Collector-Emitter Saturation Voltage	KSE44H1,4,7,10	I _C = 8A ; I _B = 0.8 A			1	V
		KSE44H2,5,8,11	I _C = 8A ; I _B = 0.4 A				
V _{BE(sat)}	Base-Emitter Saturation Voltage		I _C = 8A ; I _B = 0.8 A			1.5	V
I _{CES}	Collector Cutoff Current		V _{CE} =Rated V _{CEO} ;			10	μ A
I _{EBO}	Emitter Cutoff Current		V _{EB} = 5V; I _C = 0			100	μ A
h _{FE}	DC Current Gain	KSE44H1,4,7,10	I _C = 2A ; V _{CE} = 1V	35			
		KSE44H2,5,8,11		60			
C _{OB}	Output Capacitance		V _{CB} = 10V, f= 1.0MHz		130		pF
f _T	Current-Gain—Bandwidth Product		I _C =0.5A; V _{CE} =10V; f _{test} =20 MHz		50		MHz

NOTICE:

ISC reserves the rights to make changes of the content herein the datasheet at any time without notification. The information contained herein is presented only as a guide for the applications of our products.

ISC products are intended for usage in general electronic equipment. The products are not designed for use in equipment which require specialized quality and/or reliability, or in equipment which could have applications in hazardous environments, aerospace industry, or medical field. Please contact us if you intend our products to be used in these special applications.

ISC makes no warranty or guarantee regarding the suitability of its products for any particular purpose, nor does ISC assume any liability arising from the application or use of any products, and specifically disclaims any and all liability, including without limitation special, consequential or incidental damages.