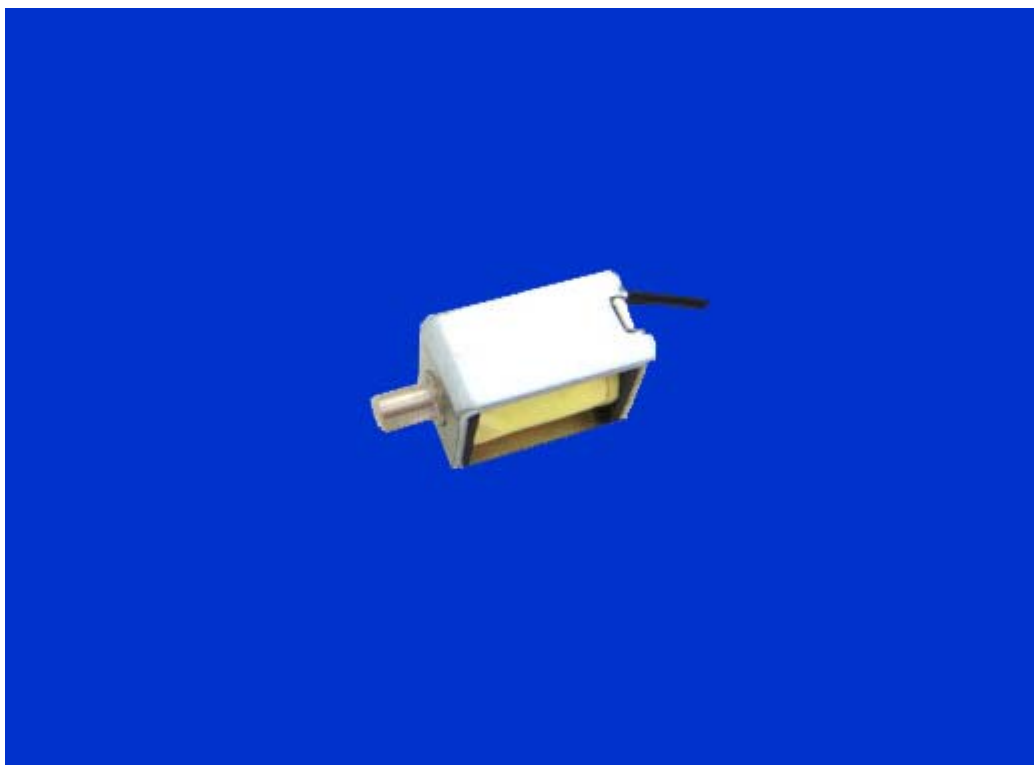


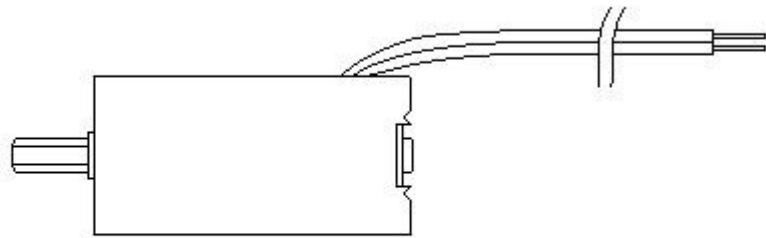
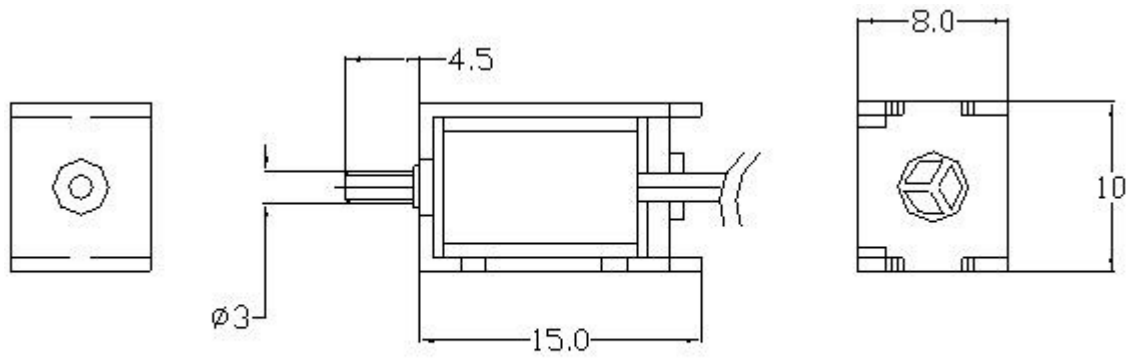
## KSV04A Solenoid Valve



### Specifications

<b>1. Rated Voltage</b>	DC3V
<b>2. Rated Current</b>	150mA
<b>3. Exhaust Time</b>	Max. 2.5 seconds from 300mmHg reduce to 15 mmHg at 50CC tank;
<b>4. Resistance</b>	20Ω±10%
<b>5. Leakage</b>	Max. 3mmHg/min from 300mmHg at 50CC tank.
<b>6. Insulation Level</b>	A
<b>7. Apply For</b>	Air

## PHYSICAL DIMENSION



U INT : mm