

# KSV04A

Solenoid Valve

## Applications

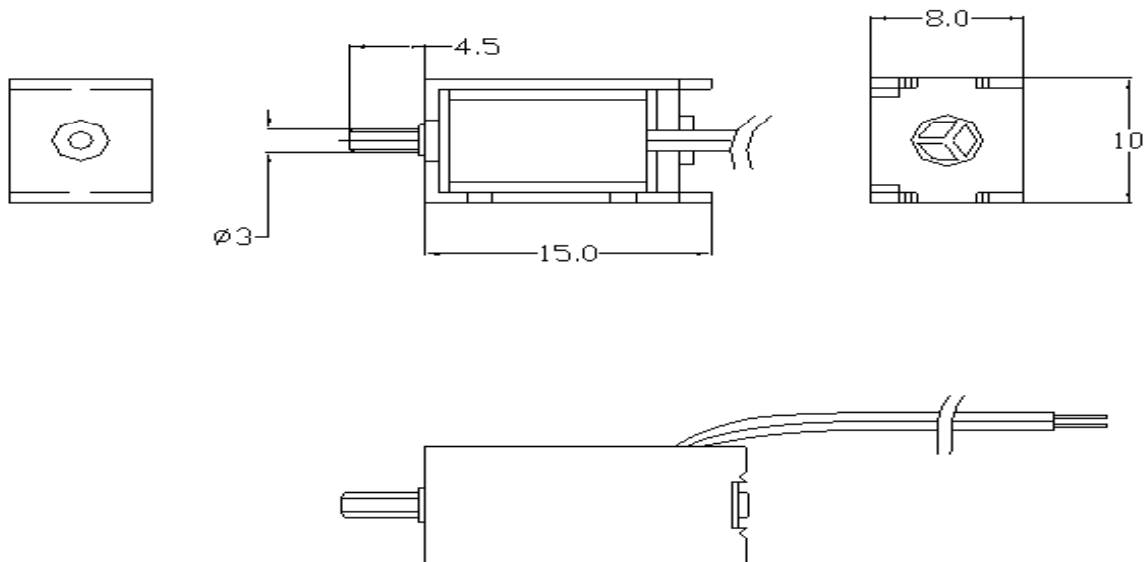
Blood Pressure M/C, Massager,  
Medical Equipment, etc



## Specifications

1. Rated Voltage	DC3.0V
2. Rated Current	150mA
3. Exhaust Time	Max. 2.5 seconds from 300mmHg reduce to 15 mmHg at 50CC tank
4. Resistance	20Ω±10%
5. Leakage	Max. 3 mmHg/min from 300mmHg at 50CC tank.
6. Insulation Level	A
7. Apply For	Air

## Drawing



UNIT : mm