

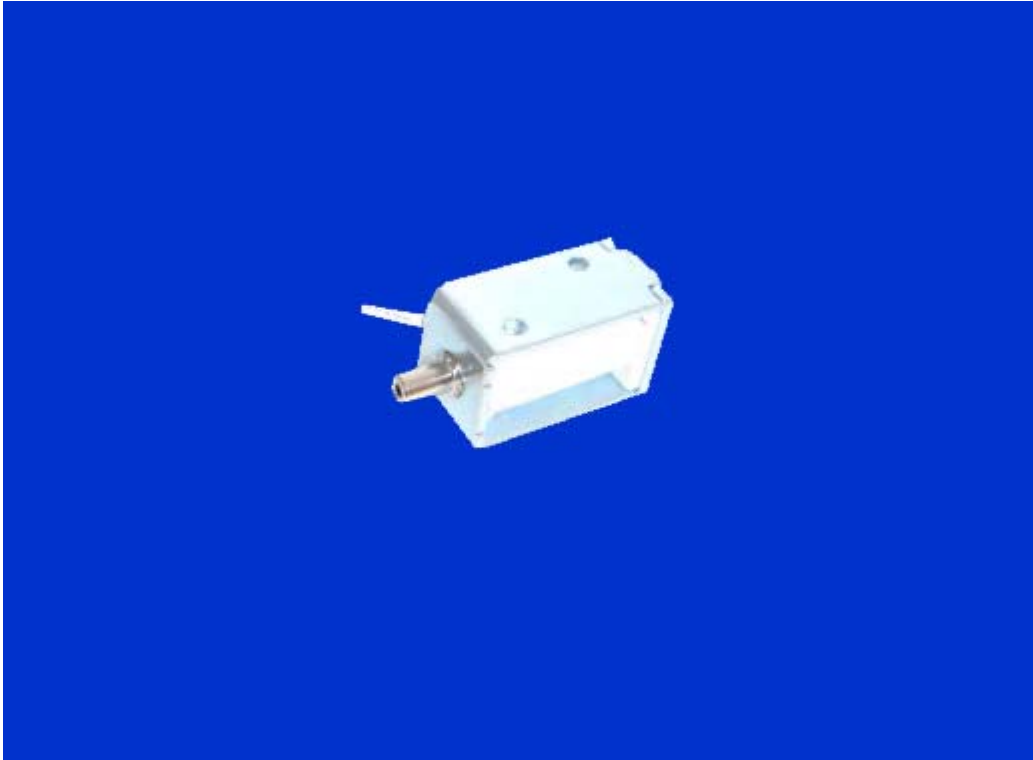


KOGE

Koge Electronics CO., Ltd

Quality First, Customer First
Keep Improving and Innovating

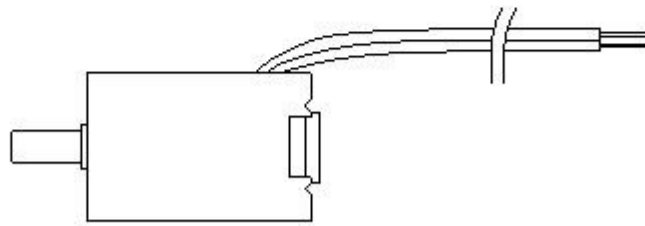
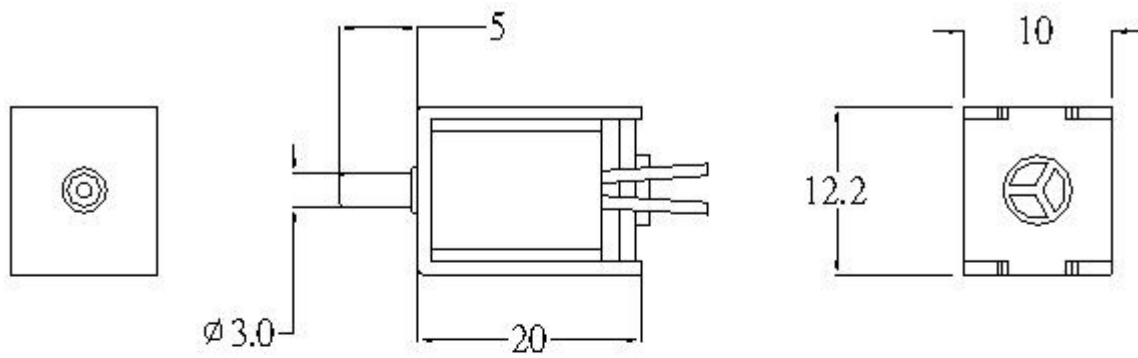
KSV05A Solenoid Valve



Specifications

1. Rated Voltage	DC3V
2. Rated Current	75mA
3. Exhaust Time	Max. 3.0 seconds from 300mmHg reduce to 15 mmHg at 100CC tank.
4. Resistance	40Ω±10%
5. Leakage	Max. 3mmHg/min from 300mmHg at 100CC tank.
6. Insulation Level	A
7. Apply For	Air

PHYSICAL DIMENSION



UNIT:mm