

KSV05A

Solenoid Valve

Applications

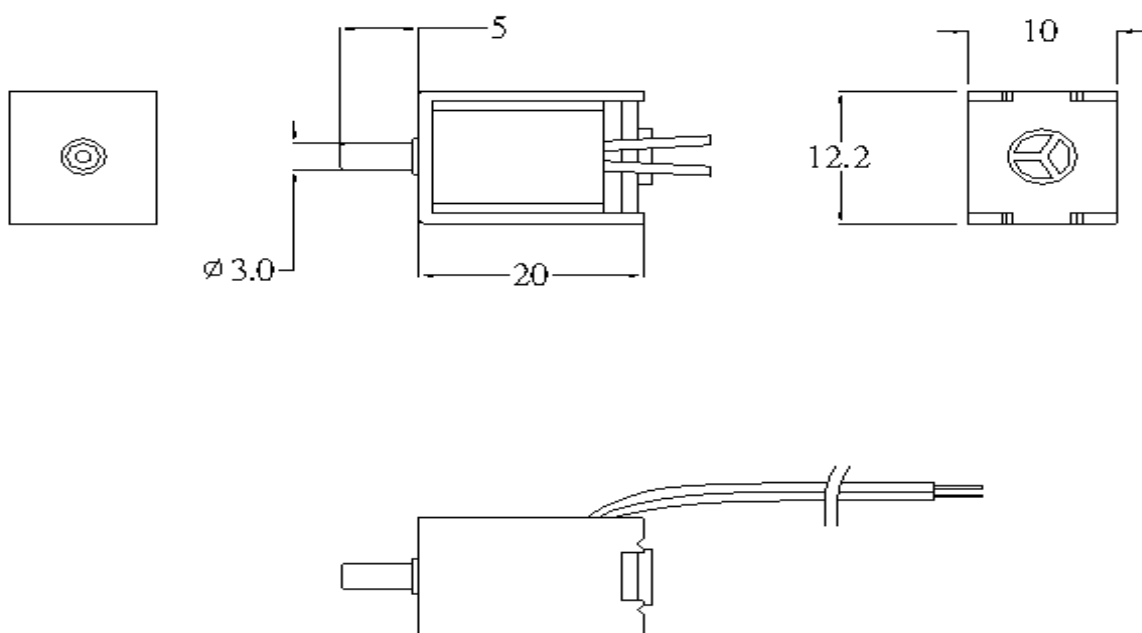
Blood Pressure M/C, Massager,
Medical Equipment, etc



Specifications

1. Rated Voltage	DC3.0V
2. Rated Current	75mA
3. Exhaust Time	Max. 3.0 seconds from 300mmHg reduce to 15 mmHg at 50CC tank.
4. Resistance	40Ω±10%
5. Leakage	Max. 3 mmHg/min from 300mmHg at 100CC tank.
6. Insulation Level	A
7. Apply For	Air

Drawing



UNIT:mm