

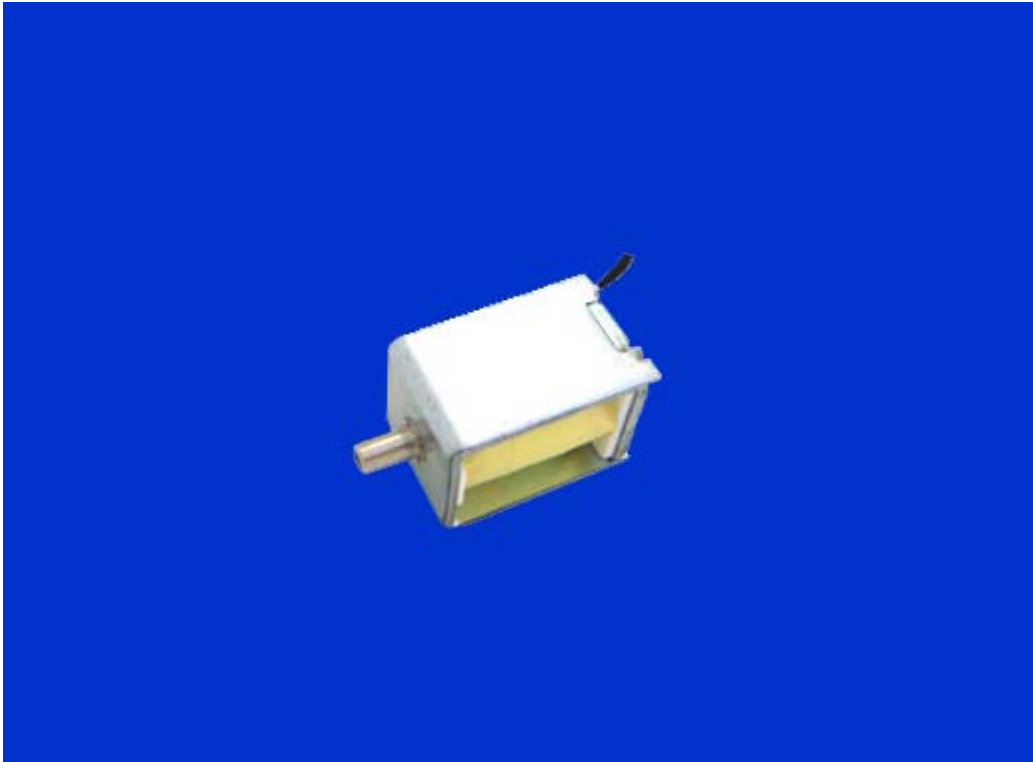


KOGE

Koge Electronics CO., Ltd

Quality First, Customer First
Keep Improving and Innovating

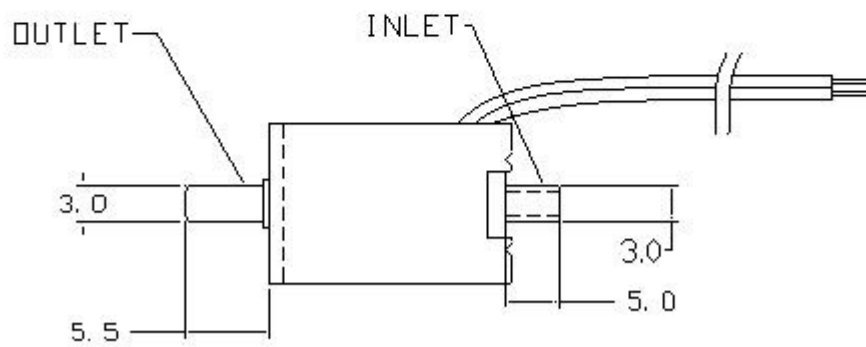
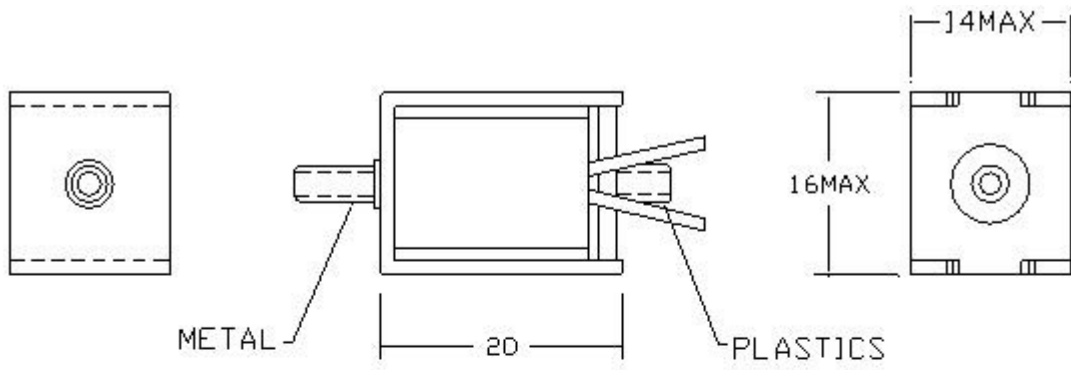
KSV2WA



Specifications

1. Rated Voltage	DC12V
2. Rated Current	400mA
3. Exhaust time	Max. 6.0 seconds from 300mmHg reduce to 15 mmHg at 500CC tank.
4. Resistance	30Ω±10%
5. Leakage	Max. 3mmHg/min from 300mmHg at 500CC tank.
6. Insulation Level	A
7. Apply For	Air

PHYSICAL DIMENSION



UNIT: mm