

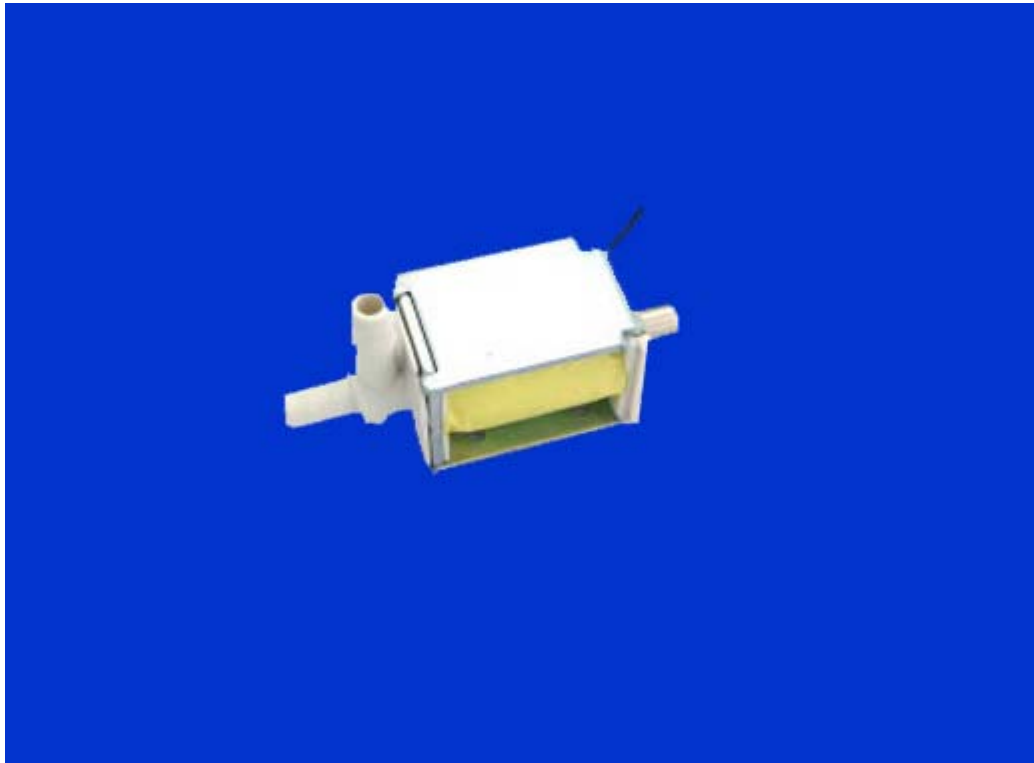


KOGE

Koge Electronics CO., Ltd

Quality First, Customer First,
Keep Improving and Innovating

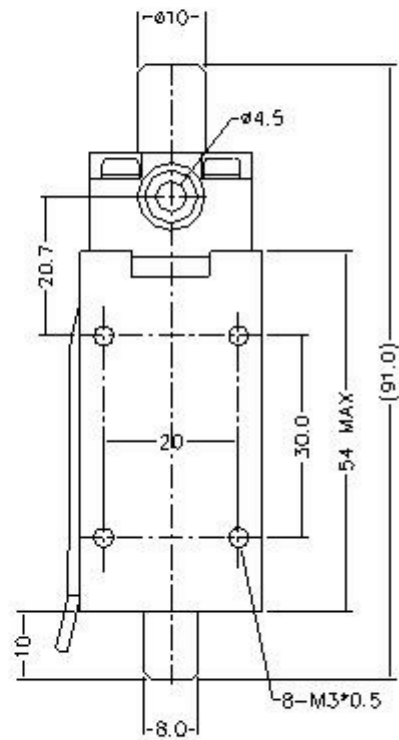
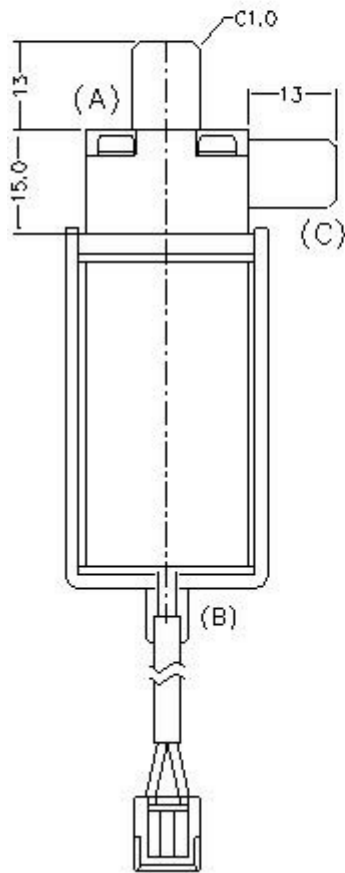
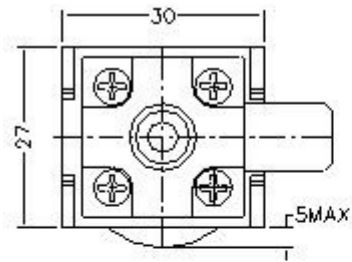
KSV3WG Solenoid Valve



Specifications

1. Rated Voltage	DC12V
2. Rated Current	240mA
3. Exhaust Time	Max. 5.0 seconds from 300mmHg reduce to 15 mmHg at 500CC tank.
4. Resistance	50Ω±10%
5. Leakage	Max. 5mmHg/min from 300mmHg at 500CC tank.
6. Insulation Level	A
7. Apply For	Air

PHYSICAL DIMENSION



UNIT:mm