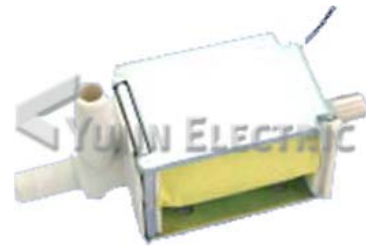


KSV3WG

Solenoid Valve

Applications

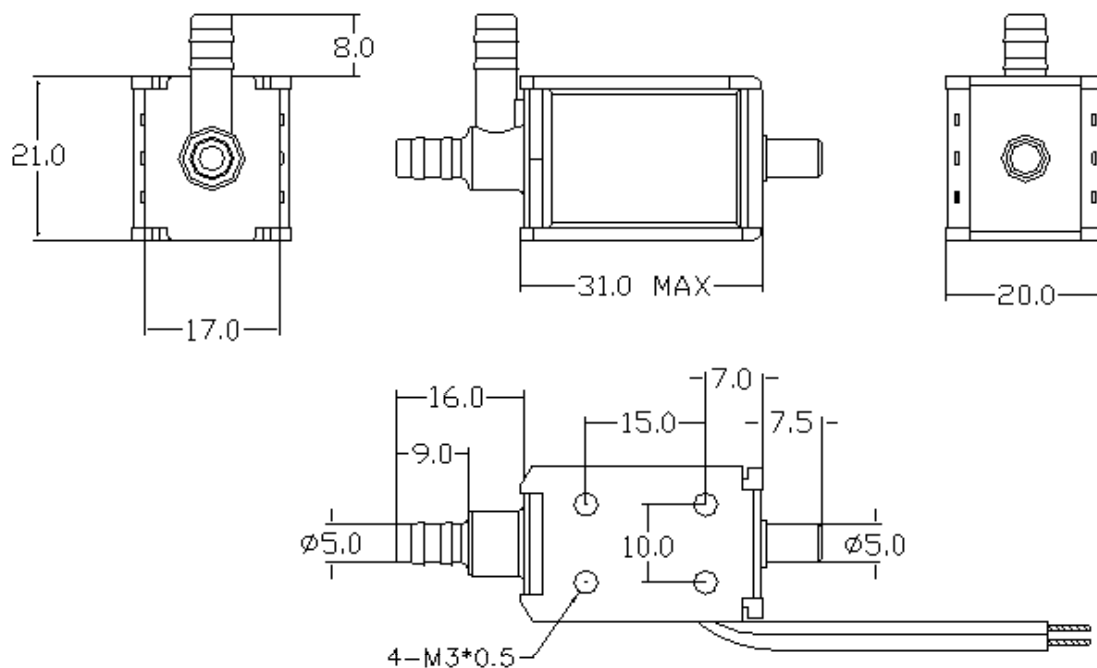
Massager, Medical Equipment, etc



Specifications

1. Rated Voltage	DC12.0V
2. Rated Current	240mA
3. Exhaust Time	Max. 5.0 seconds from 300mmHg reduce to 15 mmHg at 500CC tank
4. Resistance	50Ω±10%
5. Leakage	Max. 5 mmHg/min from 300mmHg at 500CC tank.
6. Insulation Level	A
7. Apply For	Air

Drawing



UNIT: mm