

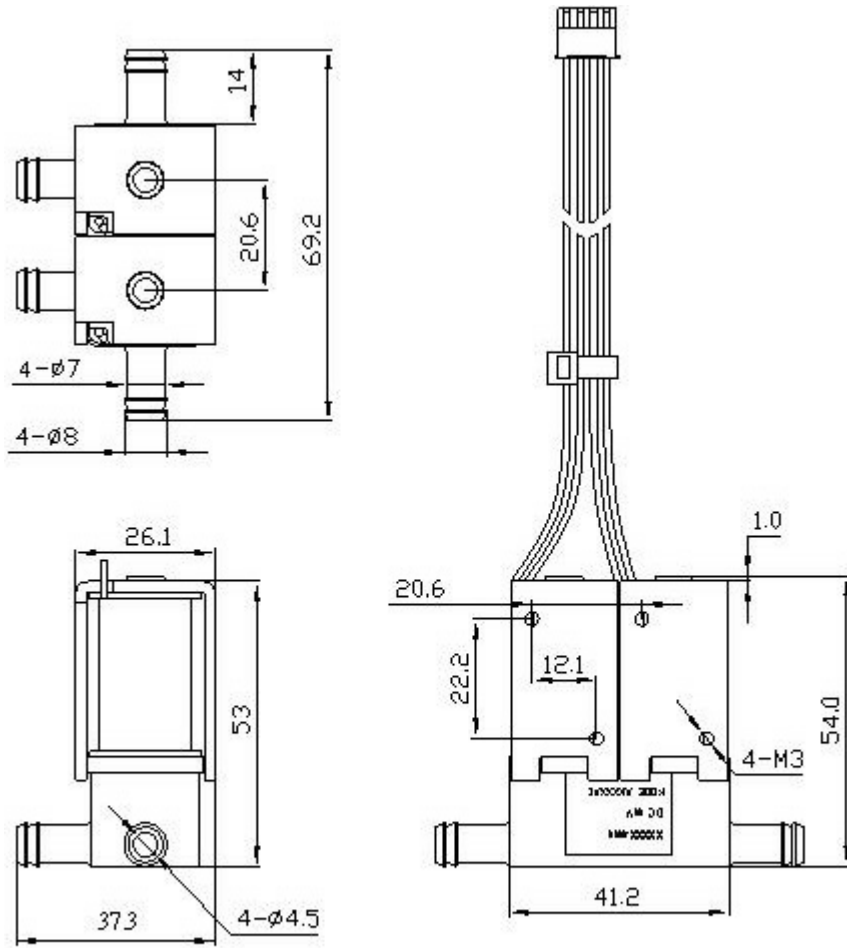
KSV6WA Solenoid Valve



Specifications

1. Rated Voltage	DC12V	DC24V
2. Rated Current	225x2=450 mA	120x2=240mA
3. Exhaust Time	Max.4.0 seconds from 450mmHg reduce to 20 mmHg at 1500CC tank.	
4. Leakage	Max.15mmHg/min from 450mmHg at 1500CC tank	
5. Resistance	53Ω ± 10%	200Ω ± 10%
6. Insulation Level	E	E
7. Apply For	Air	Air

PHYSICAL DIMENSION



UNIT:mm