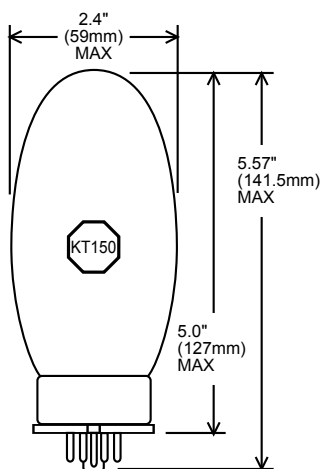


TUNG-SOL

PENTODE

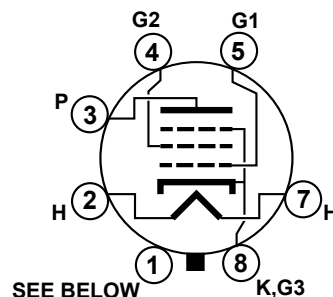


**GLASS BULB
LARGE WAFER OCTAL
WITH BARRIERS
7 PIN LOW LOSS B7-99**

FOR
AUDIO SERVICE APPLICATIONS

OXIDE COATED INDIRECTLY HEATED
UNIPOTENTIAL CATHODE

ANY MOUNTING POSITION



BOTTOM VIEW

BASING DIAGRAM

JEDEC 7AC

**PIN 1 - NO CONNECTION
OR BASE SHELL**

THE KT150 IS A BEAM PENTODE POWER AMPLIFIER PRIMARILY DESIGNED FOR AUDIO SERVICE. IT CARRIES A 70 WATT PLATE DISSIPATION RATING WHICH PROVIDES FOR PUSH-PULL AMPLIFIER DESIGNS UP TO 200 WATTS OUTPUT. CONSTRUCTION FEATURES PROVIDE FOR RELIABLE OPERATION AT FULL RATINGS.

DIRECT INTERELECTRODE CAPACITANCES

WITHOUT SHIELD

| | | |
|-----------------|------|----|
| GRID 1 TO PLATE | 1.75 | pf |
| INPUT | 20.5 | pf |
| OUTPUT | 10 | pf |

HEATER CHARACTERISTICS AND RATINGS

DESIGN MAXIMUM VALUES - SEE EIA STANDARD RS-239

| | | | |
|--|-----------|-------------|-------|
| AVERAGE CHARACTERISTICS | 6.3 VOLTS | 1.7 - 2.0 | AMP |
| HEATER SUPPLY LIMITS VOLTAGE OPERATION | | 6.3 +/- 0.6 | VOLTS |
| MAXIMUM HEATER-CATHODE VOLTAGE | | | |
| HEATER NEGATIVE WITH RESPECT TO CATHODE TOTAL DC AND PEAK | | 300 | VOLTS |
| HEATER POSITIVE WITH RESPECT TO CATHODE TOTAL DC AND PEAK | | 300 | VOLTS |

CONTINUED ON FOLLOWING PAGE



INDICATES A CHANGE

TUNG-SOL

PENTODE

CONTINUED FROM PREVIOUS PAGE

MAXIMUM RATINGS

DESIGN MAXIMUM VALUES - SEE EIA STANDARD RS-239

| | | |
|---------------------------------|---------|---------|
| PLATE VOLTAGE, DC | | |
| TETRODE | 850 | VOLTS |
| TRIODE | 650 | VOLTS |
| GRID 2 VOLTAGE, DC | | |
| PENTODE CONNECTION | 650 | VOLTS |
| TRIODE & ULTRALINEAR CONNECTION | 600 | VOLTS |
| GRID 1 VOLTAGE, DC | -200 | VOLTS |
| PLATE DISSIPATION | 70 | WATTS |
| GRID 2 DISSIPATION | 9.0 | WATTS |
| CATHODE CURRENT | | |
| PENTODE CONNECTION | 275 | MA |
| TRIODE & ULTRALINEAR CONNECTION | 250 | MA |
| GRID 1 CIRCUIT RESISTANCE | | |
| FIXED BIAS | 51,000 | OHMS |
| SELF BIAS | 240,000 | OHMS |
| BULB TEMPERATURE | 250 | CELSIUS |

AVERAGE CHARACTERISTICS

CLASS A1 AUDIO AMPLIFIER - SINGLE TUBE

| | | |
|---|-----------|---------|
| PLATE VOLTAGE | 400 | VOLTS |
| GRID 2 VOLTAGE | 225 | VOLTS |
| GRID 1 VOLTAGE | -14 | VOLTS |
| PLATE CURRENT (RANGE) | 150 - 180 | MA |
| GRID 2 CURRENT (NOT MORE THAN) | 15 | MA |
| TRANSCONDUCTANCE (NOT LESS THAN) | 12.6 | mAV |
| PLATE RESISTANCE (APROX.) | 3000 | OHMS |
| MAX. SIGNAL POWER OUTPUT (NOT LESS THAN) | 20 | WATTS |
| TOTAL HARMONIC DISTORION (NOT MORE THAN) | 14 | PERCENT |
| CATHODE TO HEATER LEAKAGE (NOT MORE THAN) (WITH $\pm 300V$ HEATER TO CATHODE DIFFERENCE) | 50 | μA |