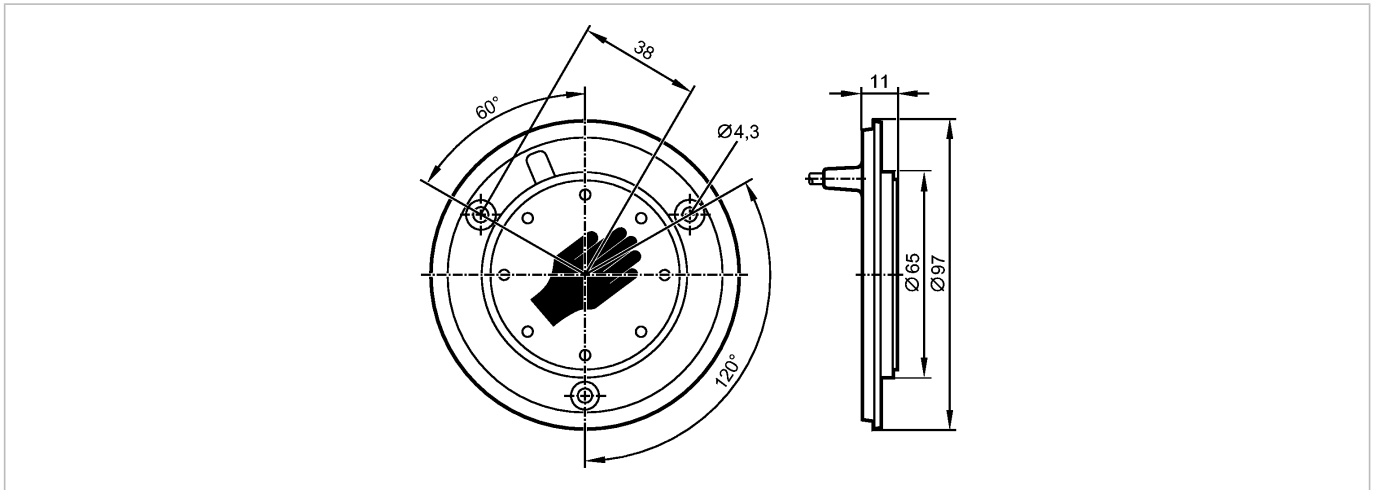


KT5050

KTRSH-KGRBPKG/2M

Touch sensors



Product characteristics

Touch sensor	
Plastic housing	
Cable	
Touch sensor with static evaluation principle	
Reduced sensitivity	

Application

Principle of operation	static
------------------------	--------

Electrical data

Electrical design	DC PNP
Operating voltage [V]	24 DC ± 20 %
Current consumption [mA]	30
Protection class	III
Reverse polarity protection	yes

Outputs

Output function	normally open
Current rating [mA]	200
Short-circuit protection	yes
Overload protection	yes

Reaction times

Power-on delay time [ms]	500
Response time [ms]	35

Environment

Ambient temperature [°C]	-40...85
Protection	IP 65 / IP 67 / IP 69K; on the front

Mechanical data

Housing materials	actuating surface: Polyamide (Grilamid TR 90UV) transparent; fixing ring: polycarbonate-ABS black
Weight [kg]	0.139

Displays / operating elements

Output status indication	LED	red
Power	LED	green



KT5050

KTRSH-KGRBPKG/2M

Touch sensors

Display	8 LED
---------	-------

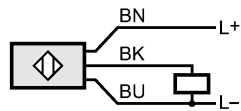
Electrical connection

Connection	PUR cable / 2 m
------------	-----------------

Wiring

Core colors

- BK black
- BN brown
- BU blue



Accessories

Accessories (optional)	surround in different colours
------------------------	-------------------------------

Remarks

Pack quantity	[piece]	1
---------------	---------	---