

DESCRIPTION

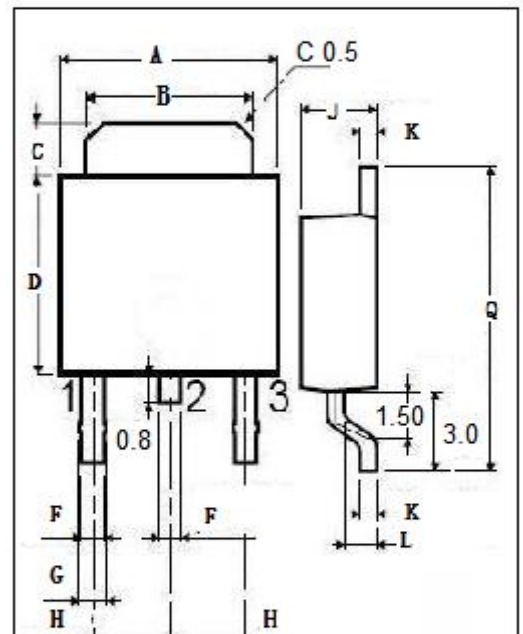
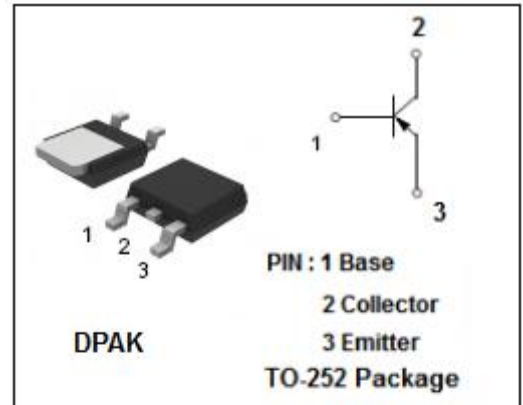
- Low Collector-Emitter saturation voltage
- 100% avalanche tested
- Minimum Lot-to-Lot variations for robust device performance and reliable operation

APPLICATIONS

- General purpose applications

ABSOLUTE MAXIMUM RATINGS (T_a=25°C)

SYMBOL	PARAMETER	VALUE	UNIT
V _{CBO}	Collector-Base Voltage	-100	V
V _{CEO}	Collector-Emitter Voltage	-100	V
V _{EBO}	Emitter-Base Voltage	-5	V
I _C	Collector Current-Continuous	-5	A
P _C	Total Power Dissipation @ T _a =25°C	1.25	W
R _{th j-a}	Thermal Resistance, Junction to Ambient	100	°C/W
T _J	Junction Temperature	150	°C
T _{stg}	Storage Temperature Range	-55~150	°C



DIM	mm	
	MIN	MAX
A	6.40	6.60
B	5.20	5.40
C	1.15	1.35
D	5.70	6.10
F	0.65	
G	0.75	
H	2.10	2.50
J	2.10	2.40
K	0.40	0.60
L	0.90	1.10
Q	9.90	10.1

ELECTRICAL CHARACTERISTICST_c=25°C unless otherwise specified

SYMBOL	PARAMETER	CONDITIONS	MIN	TYP	MAX	UNIT
V _{(BR)CEO} *	Collector-Emitter Breakdown Voltage	I _C = -50mA; I _B = 0	-100			V
V _{(BR)CBO} *	Collector-Base Breakdown Voltage	I _C = -1mA; I _B = 0	-100			V
V _{(BR)EBO} *	Emitter-Base Breakdown Voltage	I _C = -1mA; I _B = 0	-5			V
V _{CE(sat)}	Collector-Emitter Saturation Voltage	I _C =-4A; I _B = -400mA			-2.0	V
V _{BE(ON)}	Base-Emitter voltage	I _C =- 4A; V _{CE} = -5V			-1.5	V
I _{CEO}	Collector Cutoff Current	V _{CE} =- 100V; I _E = 0			-100	uA
I _{EBO}	Emitter Cutoff Current	V _{EB} =- 5V; I _C = 0			-1	mA
h _{FE1}	DC Current Gain	I _C = -1A; V _{CE} = -5V	70		240	
h _{FE2}	DC Current Gain	I _C =- 4A; V _{CE} = -5V	20			
f _T	Current-Gain—Bandwidth Product	I _C =- 1A; V _{CE} = -5V		30		MHz
C _{OB}	Output Capacitance	I _E =0; V _{CB} = -10V; f= 1.0MHz		270		pF

*:Pulse test

◆ **h_{FE1} Classifications**

O	Y
70-140	120-240

NOTICE:

ISC reserves the rights to make changes of the content herein the datasheet at any time without notification. The information contained herein is presented only as a guide for the applications of our products.

ISC products are intended for usage in general electronic equipment. The products are not designed for use in equipment which require specialized quality and/or reliability, or in equipment which could have applications in hazardous environments, aerospace industry, or medical field. Please contact us if you intend our products to be used in these special applications.

ISC makes no warranty or guarantee regarding the suitability of its products for any particular purpose, nor does ISC assume any liability arising from the application or use of any products, and specifically disclaims any and all liability, including without limitation special, consequential or incidental damages.