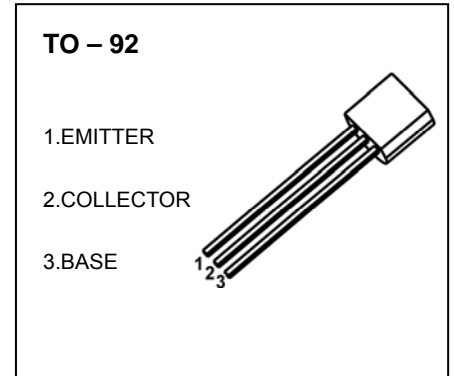


TO-92 Plastic-Encapsulate Transistors

KTA1271 TRANSISTOR (PNP)

FEATURES

- High DC Current Gain
- Complementary to KTC3203



MAXIMUM RATINGS (T_a=25°C unless otherwise noted)

Symbo	Parameter	Value	Unit
V _{CB0}	Collector-Base Voltage	-35	V
V _{CEO}	Collector-Emitter Voltage	-30	V
V _{EBO}	Emitter-Base Voltage	-5	V
I _c	Collector Current	-0.8	A
P _C	Collector Power Dissipation	0.625	W
R _{θJA}	Thermal Resistance From Junction To Ambient	200	°C/W
T _j	Junction Temperature	150	°C
T _{stg}	Storage Temperature	-55~+150	°C

ELECTRICAL CHARACTERISTICS (T_a=25°C unless otherwise specified)

Parameter	Symbol	Test conditions	Min	Typ	Max	Unit
Collector-base breakdown voltage	V _{(BR)CBO}	I _C = -0.1mA, I _E =0	-35			V
Collector-emitter breakdown voltage	V _{(BR)CEO}	I _C =-10mA, I _B =0	-30			V
Emitter-base breakdown voltage	V _{(BR)EBO}	I _E =-0.1mA, I _C =0	-5			V
Collector cut-off current	I _{CBO}	V _{CB} =-35V, I _E =0			-0.1	μA
Collector cut-off current	I _{CEO}	V _{CE} =-25V, I _B =0			-0.2	μA
Emitter cut-off current	I _{EBO}	V _{EB} =-5V, I _C =0			-0.1	μA
DC current gain	h _{FE(1)}	V _{CE} =-1V, I _C =-100mA	100		320	
	h _{FE(2)}	V _{CE} =-1V, I _C =-700mA	35			
Collector-emitter saturation voltage	V _{CE(sat)}	I _C =-500mA, I _B =-20mA			-0.7	V
Base-emitter voltage	V _{BE}	V _{CE} =-1V, I _C =-10mA			-0.8	V
Transition frequency	f _T	V _{CE} =-5V, I _C =-10mA		120		MHz
Collector Output Capacitance	C _{ob}	V _{CB} =-10V, I _E =0, f=1MHz		19		pF

CLASSIFICATION OF h_{FE(1)}

RANK	O	Y
RANGE	100-200	160-320