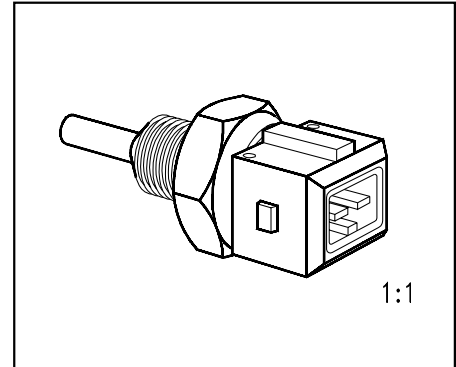


Silicon Spreading Resistance Temperature Sensor in Robust Threaded Metal Housing

KTY 19-6 M/Z

Features

- Temperature dependent Resistor with Positive Temperature Coefficient
- Selected at 25 °C, $R_{25} = 2000 \Omega \pm 1\%$
- Corrosion resistant stainless steel housing with connector socket
- Fast response
- High long-term stability
- excellent linearity
- Robust threaded housing
- Mating splash-proof connector set available



Test voltage: 1000 V ~
 Isolation voltage: 100 V ~
 Test duration: 1 s
 Insertion torque: max. 30 Nm

Type	Marking	Thread	Ordering Code	Pin Configuration		Package
				1	2	
KTY 19-6M	KTY 19M	ISO M10x1	Q62705-K271	electrical contact	electrical contact	BSS303 DIN 1.4305
KTY 19-6Z	KTY 19Z	NPTF 1/8" × 27	Q62705-K272	electrical contact	electrical contact	stainless steel
Connector Set (Splash-proof)	–	–	Q62901-B80	–	–	housing: potential free

Absolute Maximum Ratings

Parameter	Symbol	Limit Values	Unit
Maximum operating voltage ¹⁾ $T_A \leq 25 \text{ °C}, t \leq 10 \text{ ms}$	V_{opmax}	25	V
Maximum operating current	I_{opmax}	5	mA
Peak operating current $T_A \leq 25 \text{ °C}, t \leq 10 \text{ ms}$	I_{opp}	7	mA
Operating temperature range	T_{op}	– 50 ... + 150	°C
Storage temperature range	T_{stg}	– 50 ... + 150	°C

¹⁾ ESD Class 1. When the temperature sensor is operated with long supply leads, it should be protected through the parallel connection of a > 10 nF capacitor to prevent damage to the sensor through induced voltage peaks.

Electrical Characteristics

at $T_A = 25\text{ }^\circ\text{C}$ unless otherwise specified

Parameter	Symbol	Limit Values			Unit
		min.	typ.	max.	
Temperature sensor resistance $I_B = 1\text{ mA}$ KTY 19-6M/Z	R_{25}	1980		2020	Ω
Thermal time constant (63 % of ΔT_A) in still air	τ_{air}	—	40	—	s
in still oil (Freon FC40/PP7)	τ_{oil}	—	4	—	

Package Outline

Stainless Steel Housing, BSS303 (equiv. DIN 1.4305)

Plug-in socket connects with AMP Junior Timer

No undercut

SW17

SW17

Spade terminals
A2.8x0.8
DIN 46244
without hole

GMX05639

Weight approx. 20 g

Dimensions in mm

Exterior Packaging

I.e. tubes, trays, boxes are shown in our Data Book "Package Information".