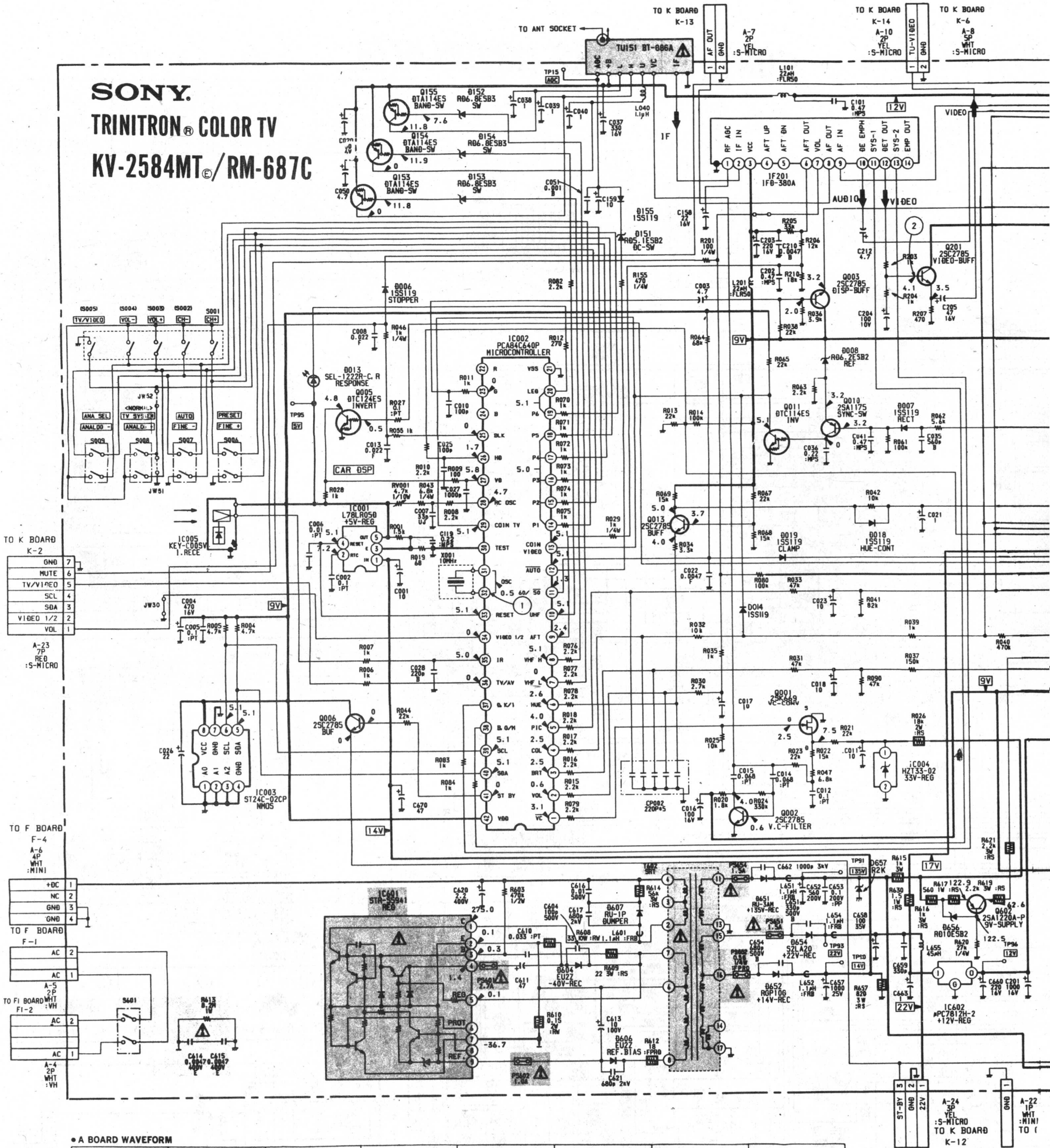
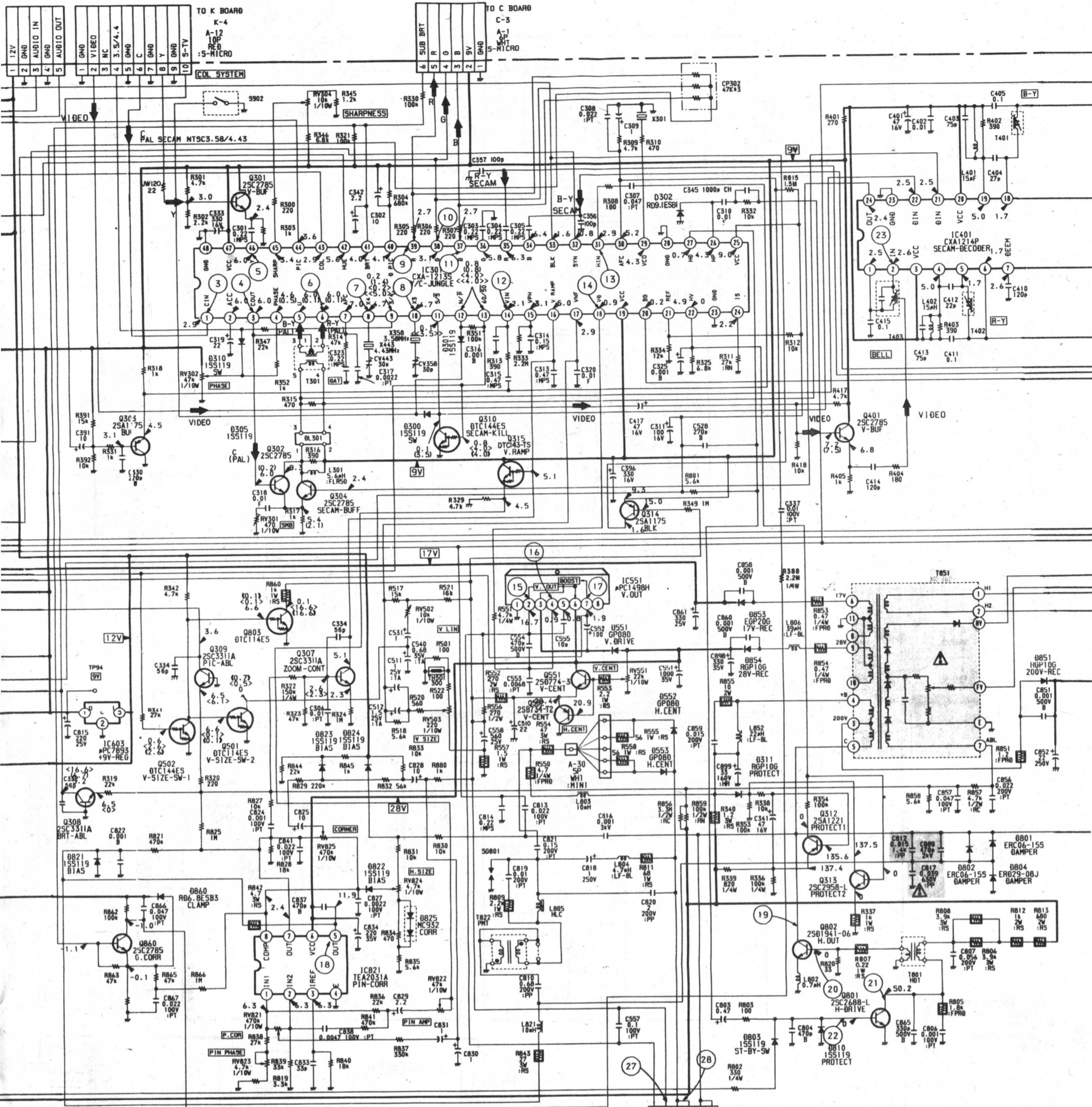


SONY TRINITRON® COLOR TV KV-2584MT[®]/RM-687C

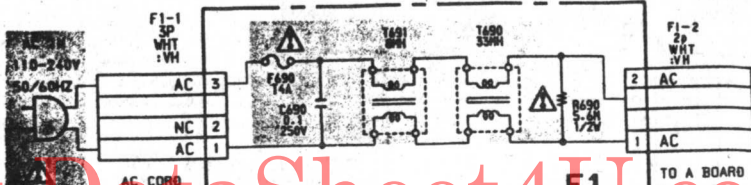
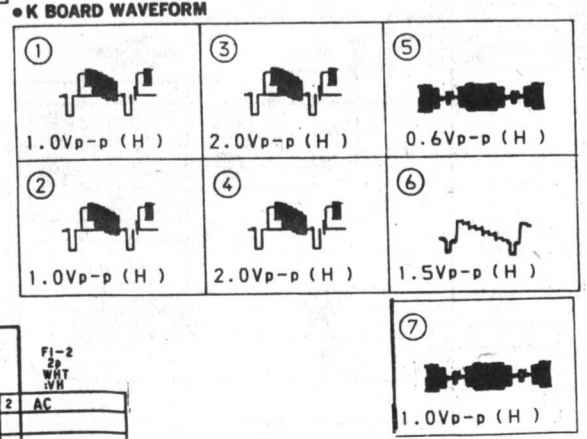
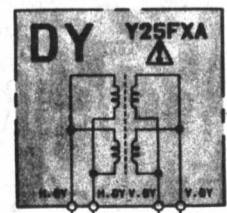
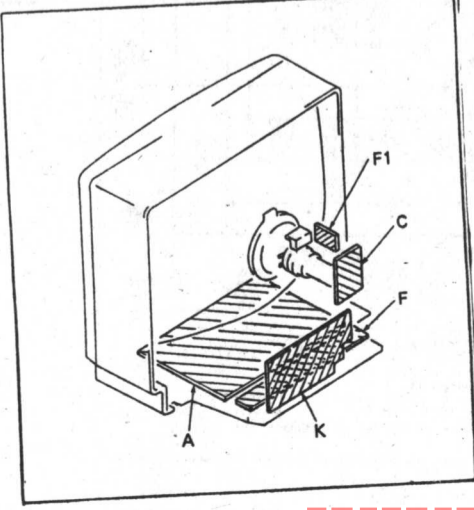


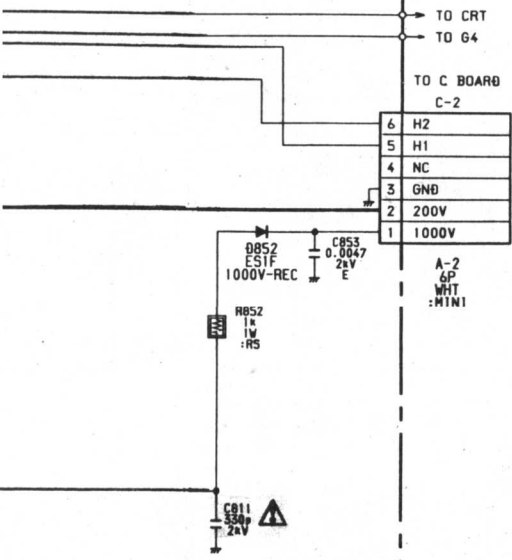
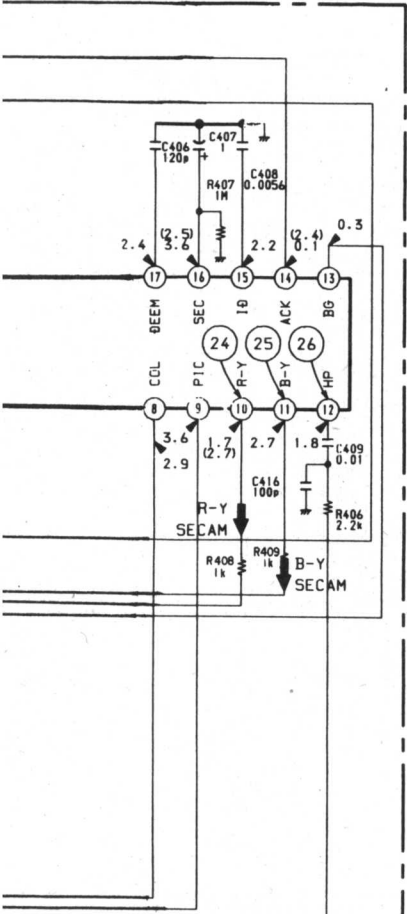
• A BOARD WAVEFORM

① 1.5Vp-p (10MHz)	③ NTSC 3.58, 4.43 1.2Vp-p (H)	⑦ 0.3Vp-p (4.43MHz)	⑪ 4.8Vp-p (H)	⑮ 3.2Vp-p (H)	⑲ 900 Vp-p (H)	⑲ SECAM 0.9Vp-p (H)	⑳ 60 Vp-p (V)
② 0.9Vp-p (H)	④ 0.35 Vp-p (H)	⑧ 0.2Vp-p (3.58MHz)	⑫ 1.3Vp-p (H)	⑰ 1.4Vp-p (V)	⑳ 17 Vp-p (H)	㉒ SECAM 1 Vp-p (H)	㉔ 180 Vp-p (H)
③ PAL 0.8Vp-p (H)	⑤ 0.9Vp-p (H)	⑨ 4.8Vp-p (H)	⑬ 1.4Vp-p (H)	⑰ 2.3Vp-p (V)	㉑ 100Vp-p (H)	㉓ SECAM 1.4Vp-p (H)	
③ SECAM 0.7Vp-p (H)	⑥ 2.8Vp-p (H)	⑩ 2 Vp-p (V)	⑭ 28 Vp-p (H)	⑱ 1.4 Vp-p (H)	㉒ 3.6Vp-p (H)		



CRT SHIELD





A SYSTEM CONTROL
MEMORY Y/C-JUNGLE
SYSTEM SW
SECAM DECODER
H.V. OUT

