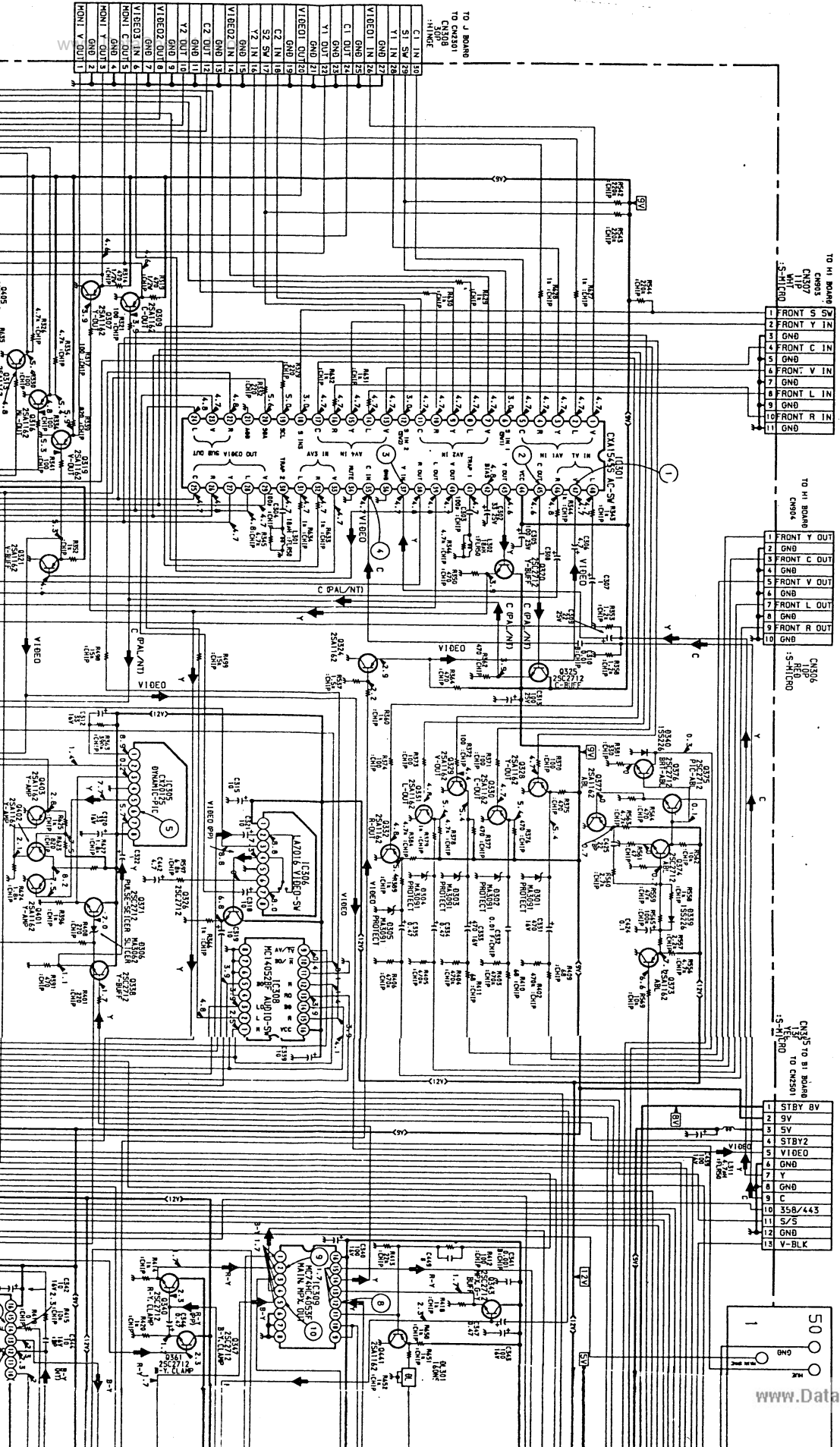


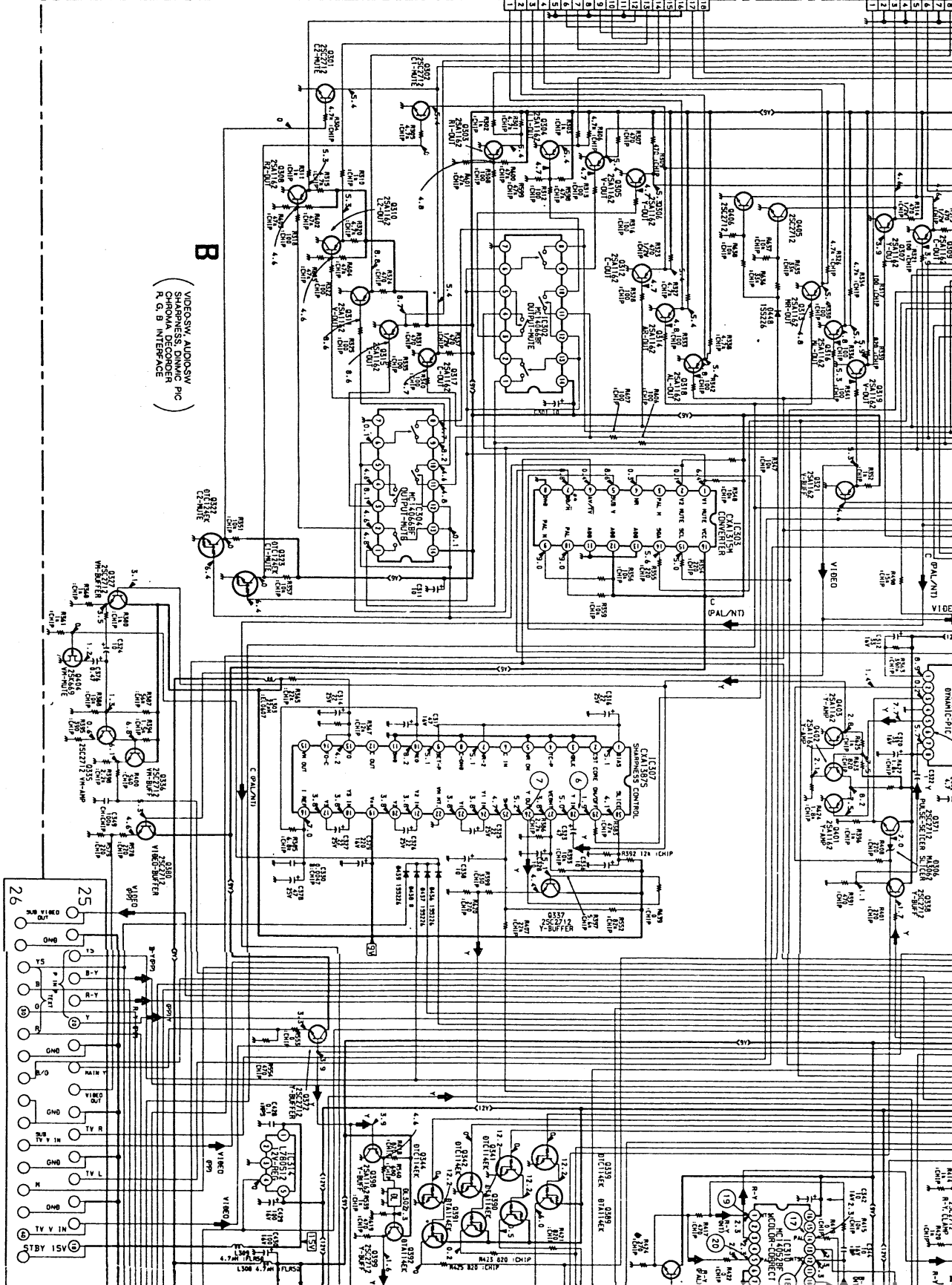
SONY
KV-S29MH1 / KV-S29 JH1
KV-S34MH1 / KV-S34 JH1.



- V1BE02 QUIT 8
- V1BE03 IN 6
- V1BE03 C OUT 5
- GND 4
- MONI Y OUT 3
- GND 2
- MONI V OUT 1

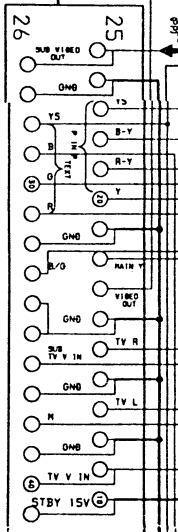
- TO CH302
- TO J B0A8
- CH309
- 18B
- 18C
- 18D
- 18E

- R1 IN 16
- L1 IN 15
- GND 14
- R1 OUT 14
- R1 OUT 13
- R2 OUT 12
- GND 11
- L2 IN 10
- R2 IN 9
- L3 IN 8
- GND 7
- R3 IN 6
- GND 5
- MONI L OUT 4
- MONI R OUT 3
- MONI G OUT 2
- MONI R OUT 1

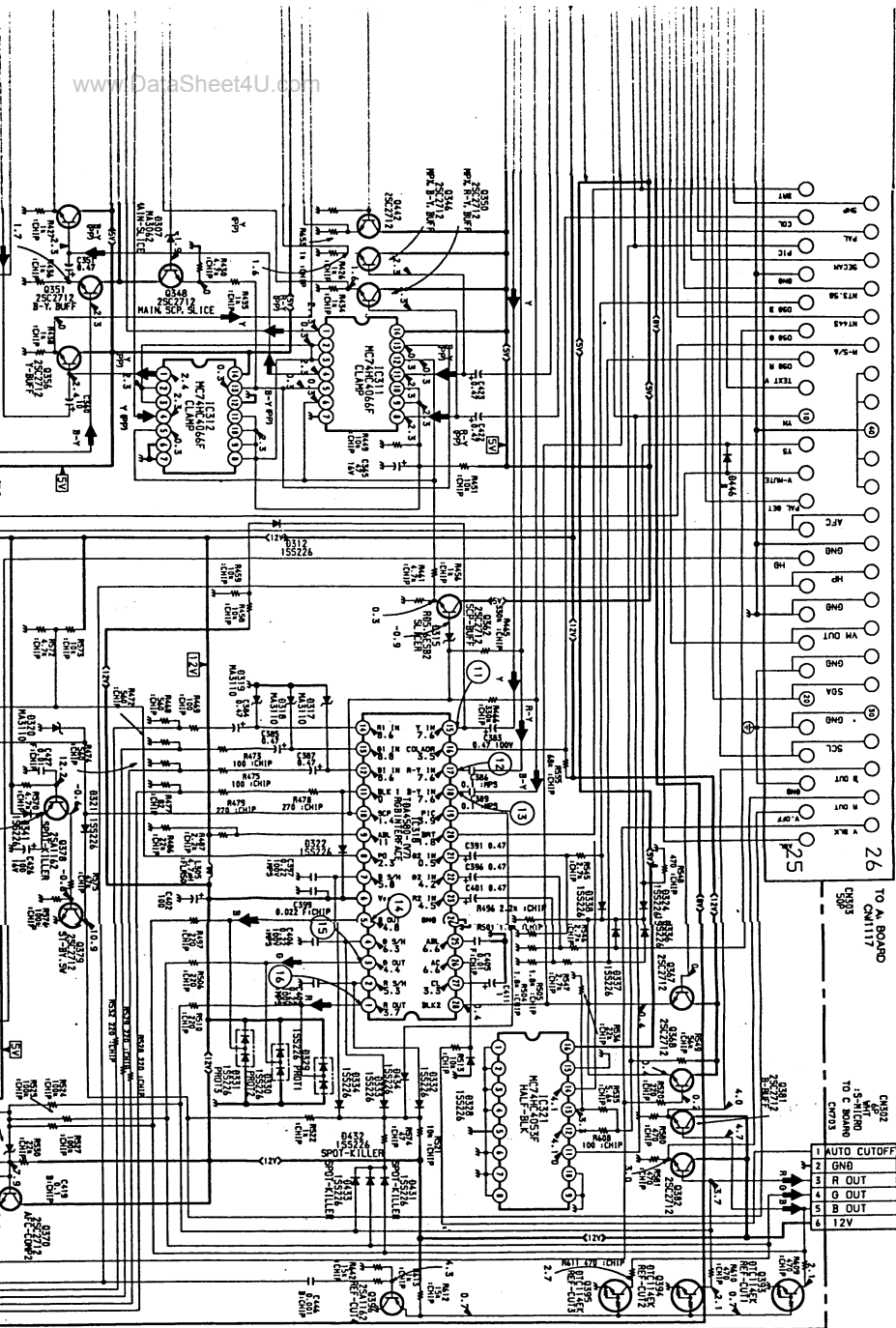


B

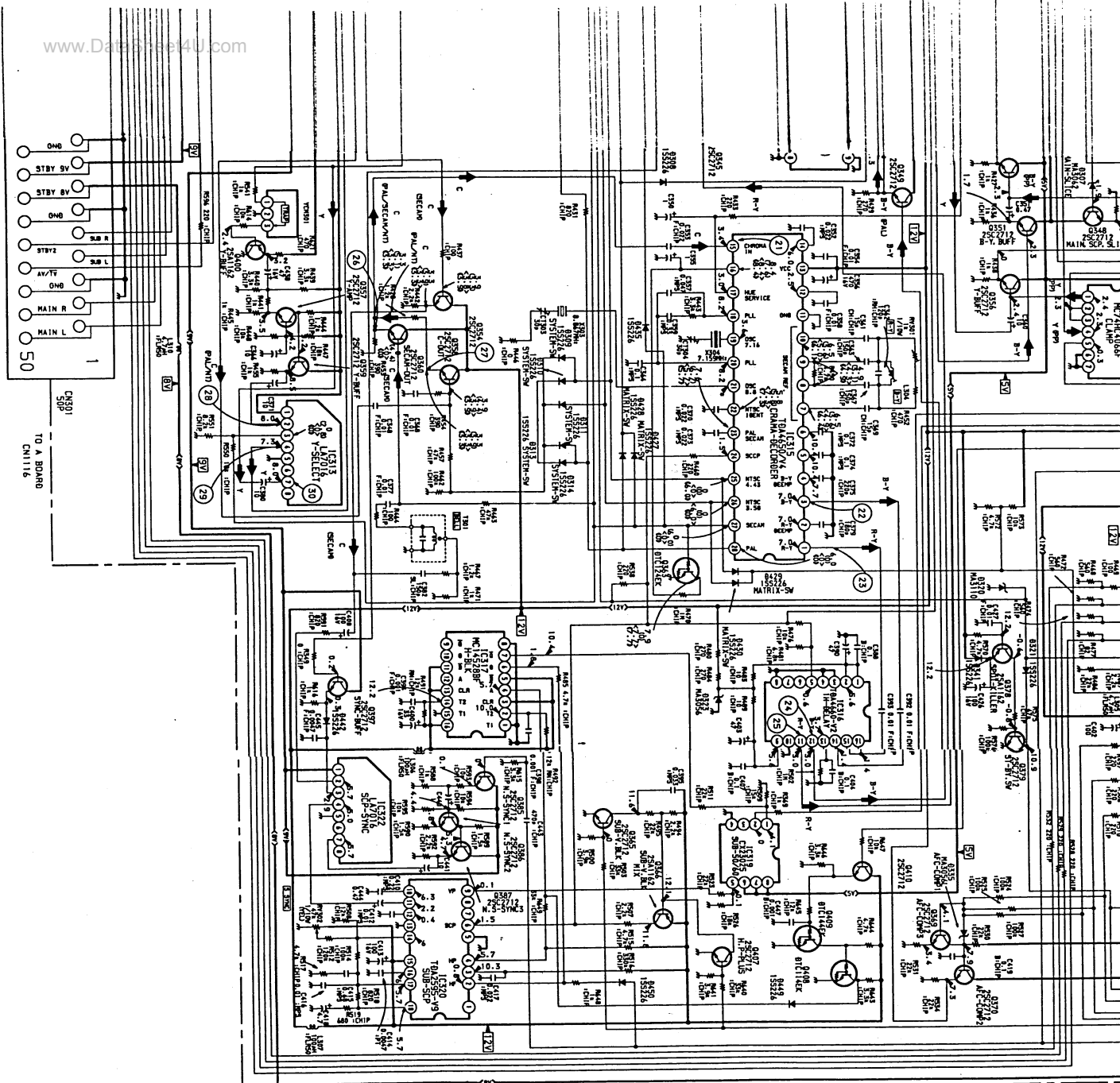
VIDEO/SW AUDIO/SW
SHARPNESS DRIVER
CHROMA DECODER
R, G, B INTERFACE



TELETEXT STEREO



①		1.2 Vp-p (H)
②		1.0 Vp-p (H)
③		2.0 Vp-p (H)
④		1.0 Vp-p (H)
⑤		0.8 Vp-p (H)
⑥		1.5 Vp-p (H)
⑦		1.5 Vp-p (H)
⑧		1.25 Vp-p (H)
⑨		0.7 Vp-p (H)
⑩		1.1 Vp-p (H)
⑪		1.25 Vp-p (H)
⑫		0.7 Vp-p (H)
⑬		1.1 Vp-p (H)
⑭		7.0 Vp-p (H)
⑮		6.5 Vp-p (H)
⑯		4.5 Vp-p (H)
⑰		1.1 Vp-p (H)
⑱		1.1 Vp-p (H)

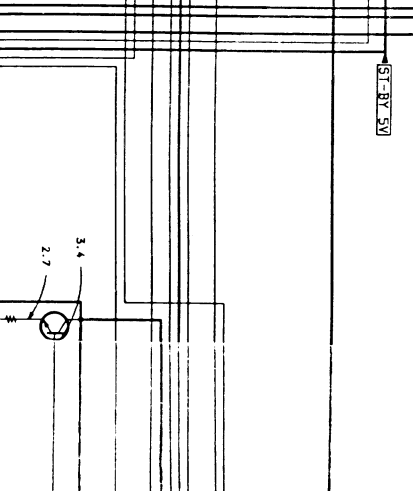
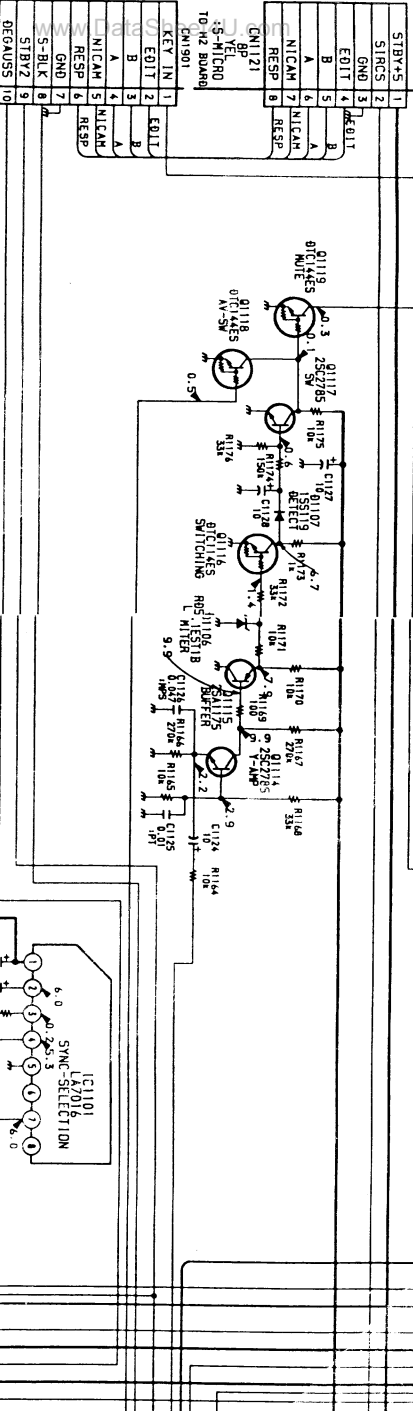
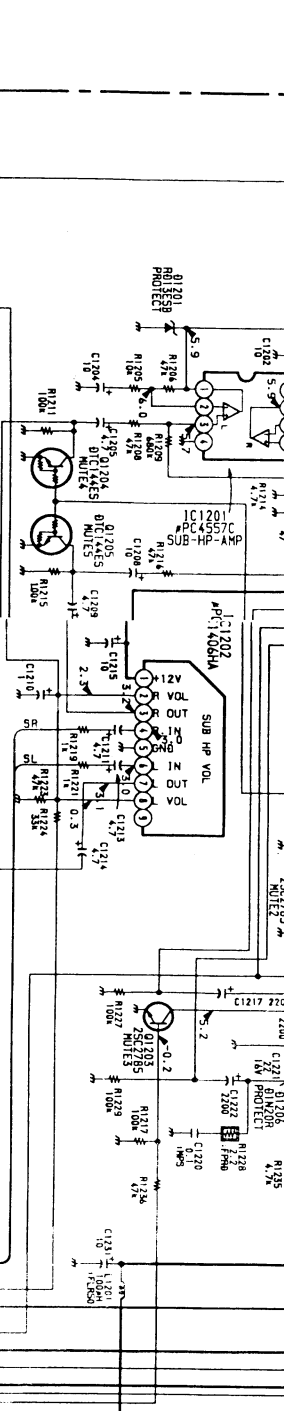
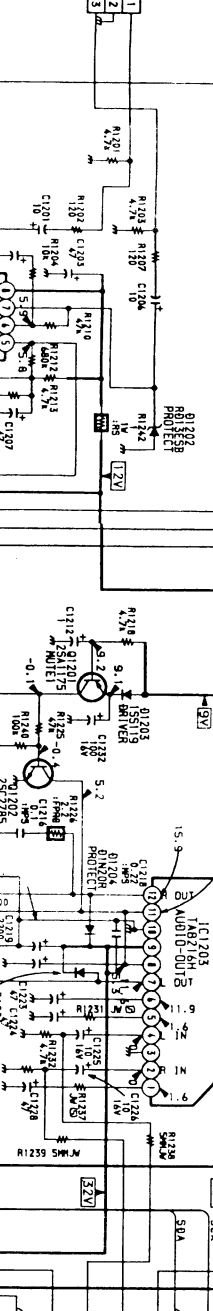


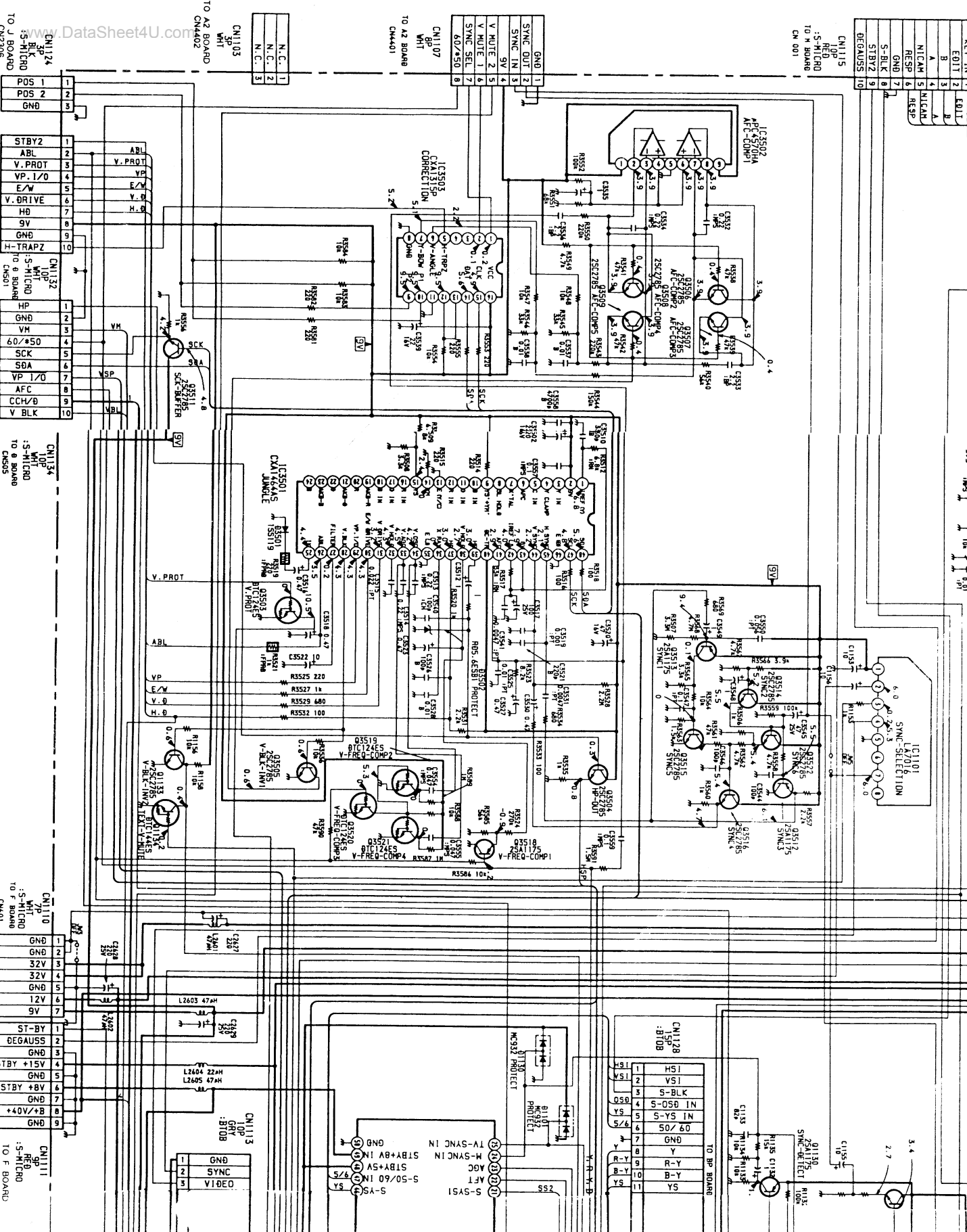
1.1Vp-p (H)	7.0Vp-p (H)	6.5Vp-p (H)
19	17	18
4.5Vp-p (H)	1.1Vp-p (H)	1.1Vp-p (H)
19	20	21
0.7Vp-p (H)	0.7Vp-p (H)	1.0Vp-p (H)
22	22	23
PAL NTSC3:58	SECAM	PAL NTSC3:58
0.6Vp-p (H)	1.5Vp-p (H)	0.5Vp-p (H)
23	24	25
SECAM	1.1Vp-p (H)	0.9Vp-p (H)
23	26	27
1.1Vp-p (H)	SECAM	PAL NTSC3:58
26	27	28
PAL NTSC3:58	SECAM	PAL NTSC3:58
0.3Vp-p (H)	1.0Vp-p (H)	0.3Vp-p (H)
28	28	29
PAL NTSC3:58	SECAM	PAL NTSC3:58
0.25Vp-p (H)	0.8Vp-p (H)	0.25Vp-p (H)
29	30	30
SECAM	PAL NTSC3:58	SECAM
0.8Vp-p (H)	0.25Vp-p (H)	0.8Vp-p (H)
29	30	30

L (+)	1
L (-)	2
R (+)	3
R (-)	4
KEY IN	5
IN/OUT	6

CN1105 TO S BOARD

1	12V
2	GN
3	9V
4	5.0V
5	5.0V
6	5.0V
7	12V
8	NC
9	OUT
10	GN
11	OUT
12	GN
13	IN
14	IN
15	IN





0140055
TO M BOARD
CN115
TOP RED
:S-MICRO
CN001

0140052
TO A2 BOARD
CN401
TOP WHITE
:S-MICRO
CN402

0140054
TO J BOARD
CN124
TOP BLACK
:S-MICRO
CN206

0140051
TO F BOARD
CN113
TOP WHITE
:S-MICRO
CN112
TOP WHITE
:S-MICRO
CN501

0140054
TOP WHITE
:S-MICRO
TO F BOARD
CN501

0140054
TOP WHITE
:S-MICRO
TO F BOARD
CN602

0140054
TOP WHITE
:S-MICRO
TO F BOARD
CN602

0140054
TOP WHITE
:S-MICRO
TO F BOARD
CN602

0140054
TOP WHITE
:S-MICRO
TO F BOARD
CN602

KEY IN	1	EO11
EO11	2	A
B	3	A
4	3	A
NICAM	5	NICAM
RESPI	6	RESPI
GND	7	
S-BLK	8	
S1BZ	9	
0140055	10	

POS 1	1
POS 2	2
GND	3

STBY2	1
ABL	2
V. PROT	3
VP. 1/0	4
E/W	5
V. DRIVE	6
H0	7
9V	8
GND	9
H-TRAPZ	10

HP	1
GND	2
VH	3
60/*50	4
SCK	5
SDA	6
VP 1/0	7
AFC	8
CCH/0	9
V BLK	10

TOP WHITE	1
:S-MICRO	2
TO F BOARD	3

TOP WHITE	1
:S-MICRO	2
TO F BOARD	3

TOP WHITE	1
:S-MICRO	2
TO F BOARD	3

TOP WHITE	1
:S-MICRO	2
TO F BOARD	3

TOP WHITE	1
:S-MICRO	2
TO F BOARD	3

TOP WHITE	1
:S-MICRO	2
TO F BOARD	3

TOP WHITE	1
:S-MICRO	2
TO F BOARD	3

TOP WHITE	1
:S-MICRO	2
TO F BOARD	3

TOP WHITE	1
:S-MICRO	2
TO F BOARD	3

TOP WHITE	1
:S-MICRO	2
TO F BOARD	3

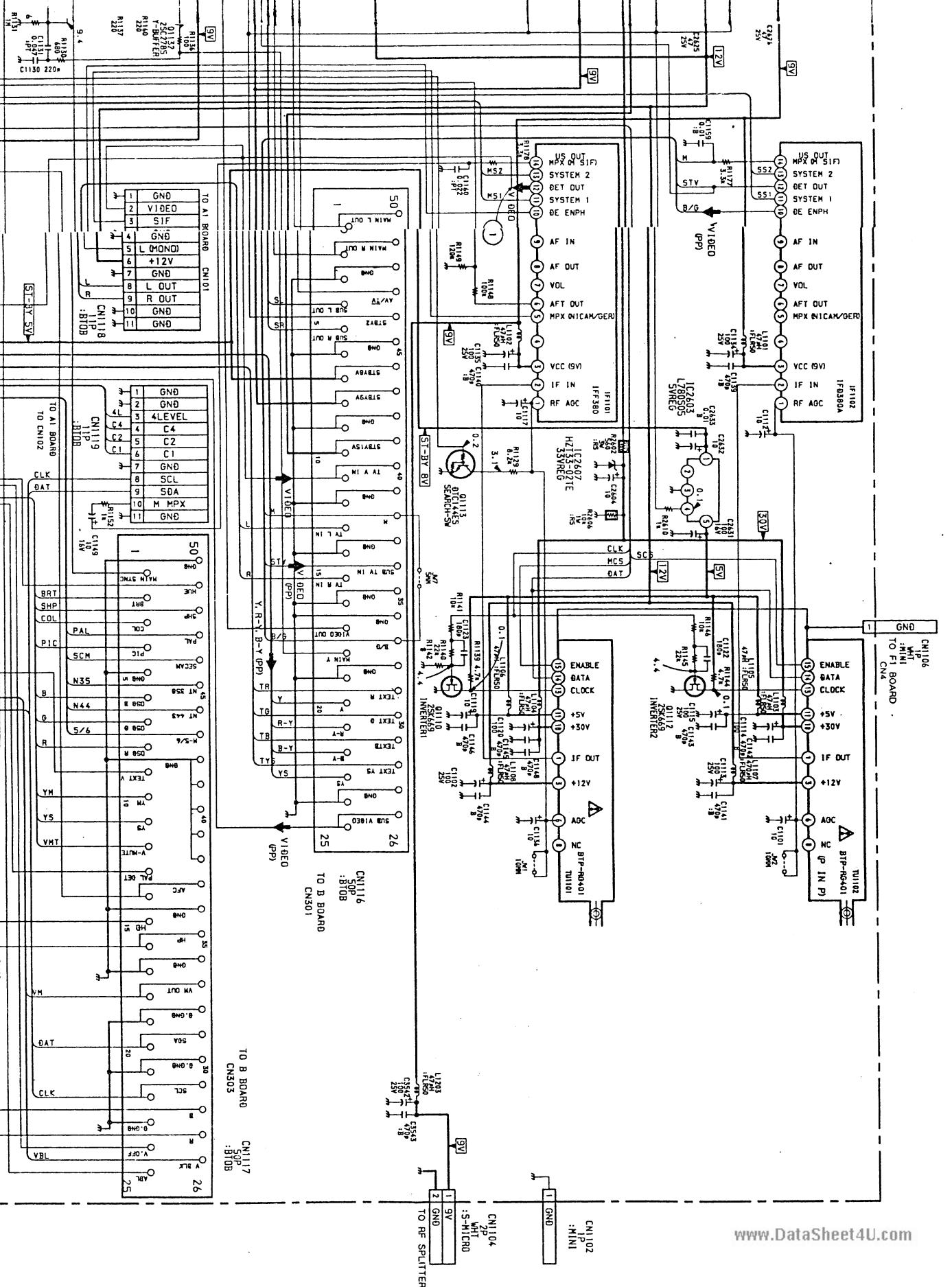
TOP WHITE	1
:S-MICRO	2
TO F BOARD	3

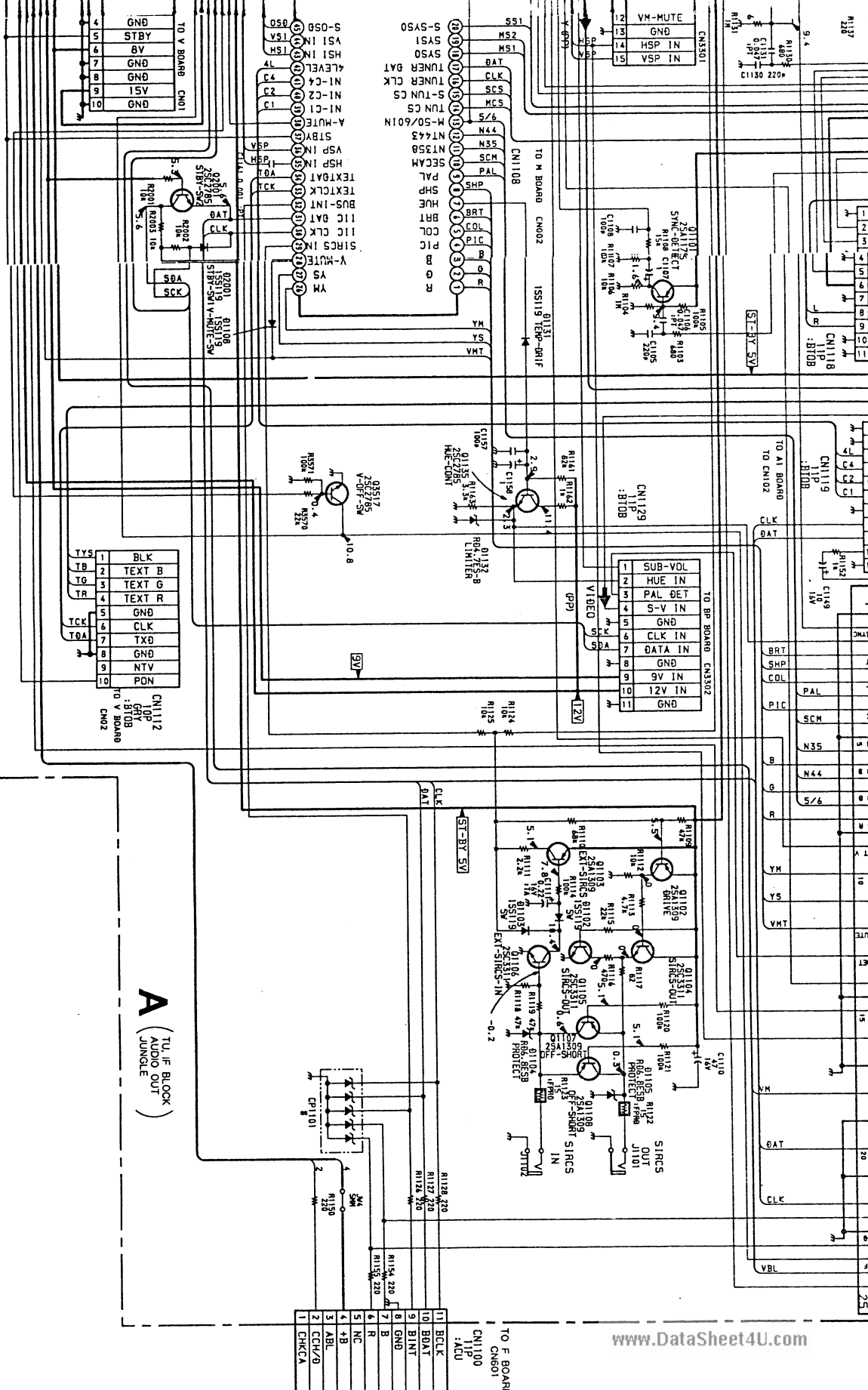
TOP WHITE	1
:S-MICRO	2
TO F BOARD	3

TOP WHITE	1
:S-MICRO	2
TO F BOARD	3

H51	1
V-S1	2
S-BLK	3
S-OSD IN	4
S-VS IN	5
S-0/0	6
GND	7
Y	8
Y-B	9
Y	10
YS	11

GND	1
2 SYNC	2
VI0EO	3

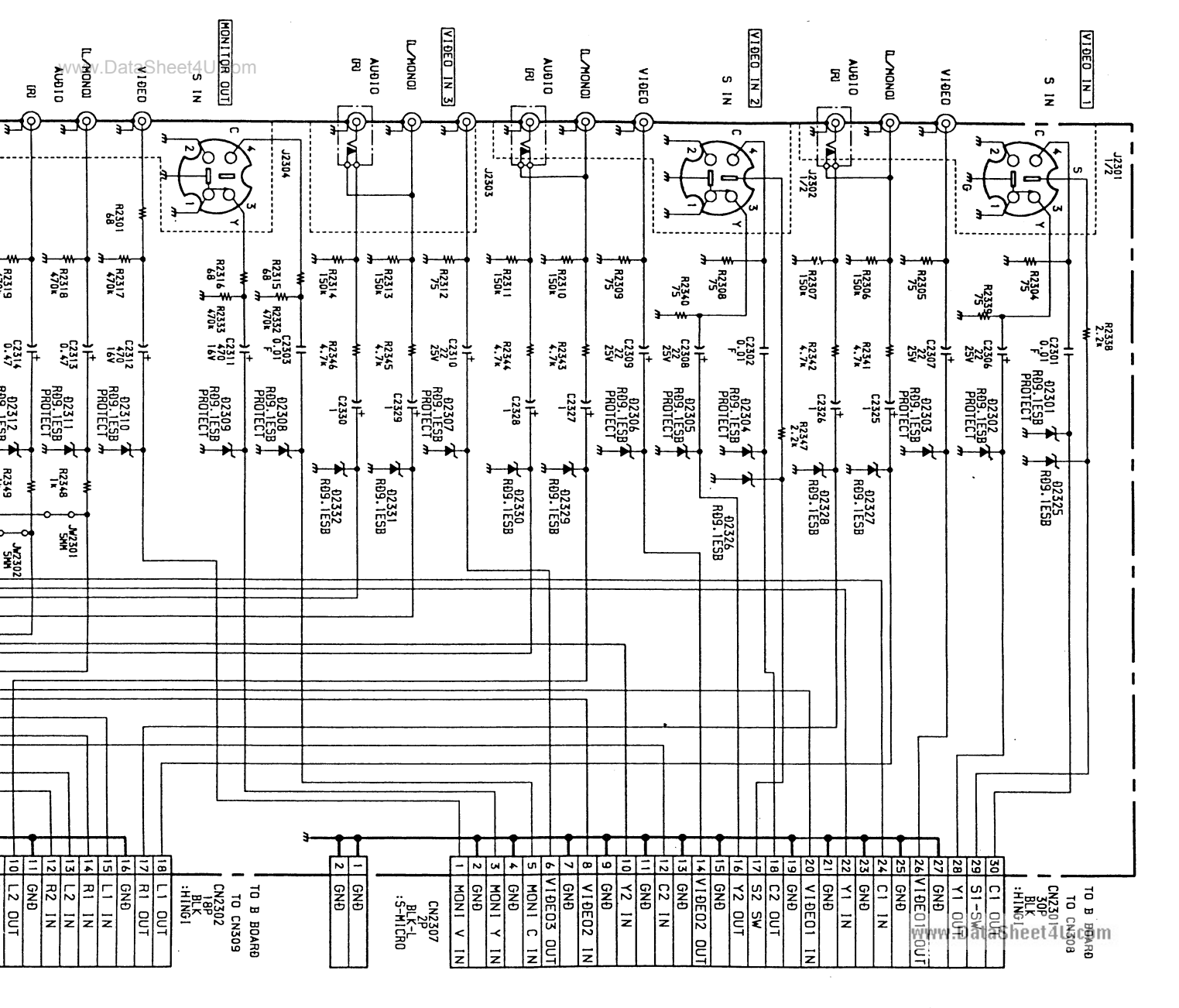


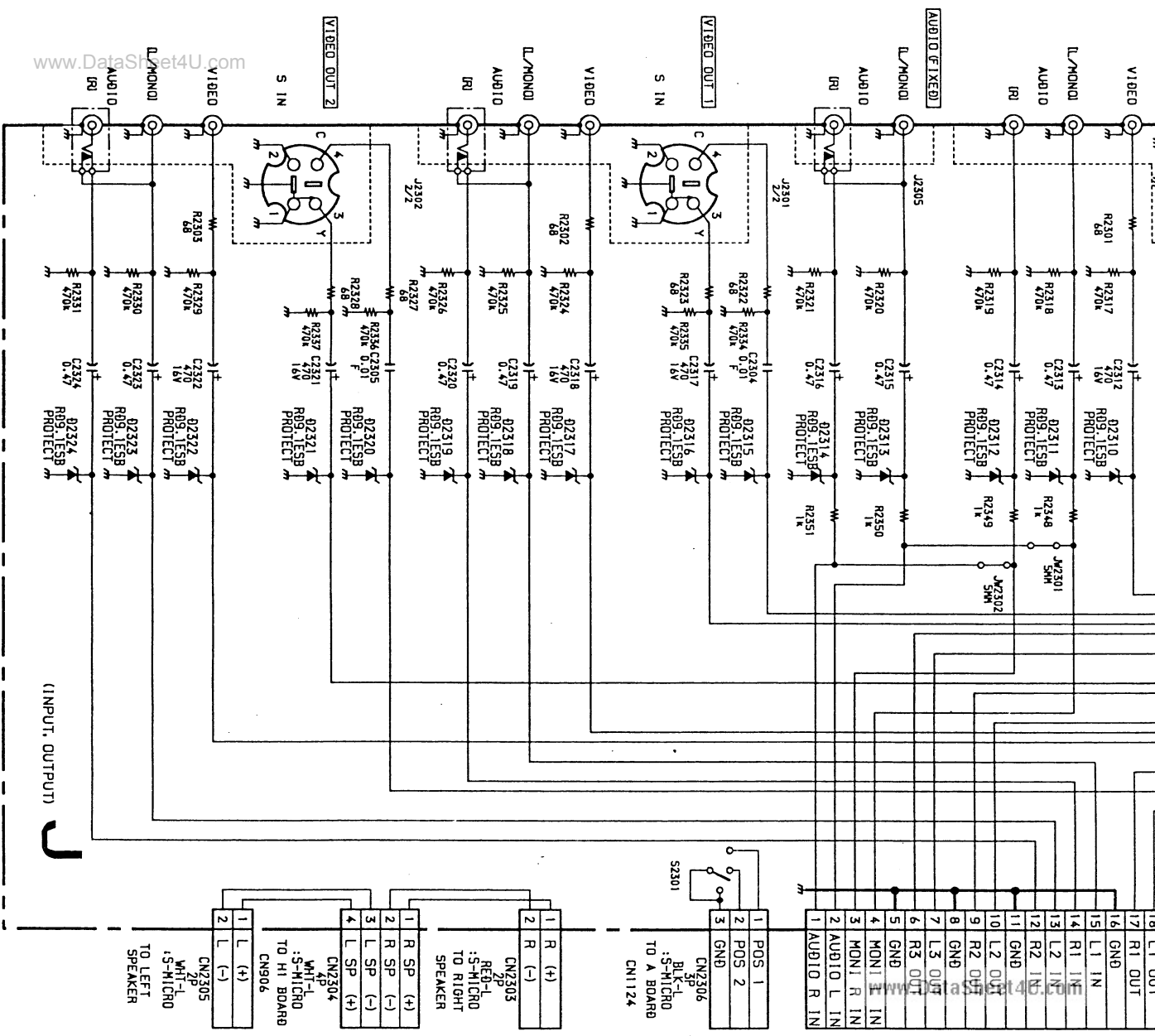


1	YS
2	TB
3	TO
4	TR
5	TCK
6	TBA
7	TBD
8	TBG
9	TBR
10	TBL

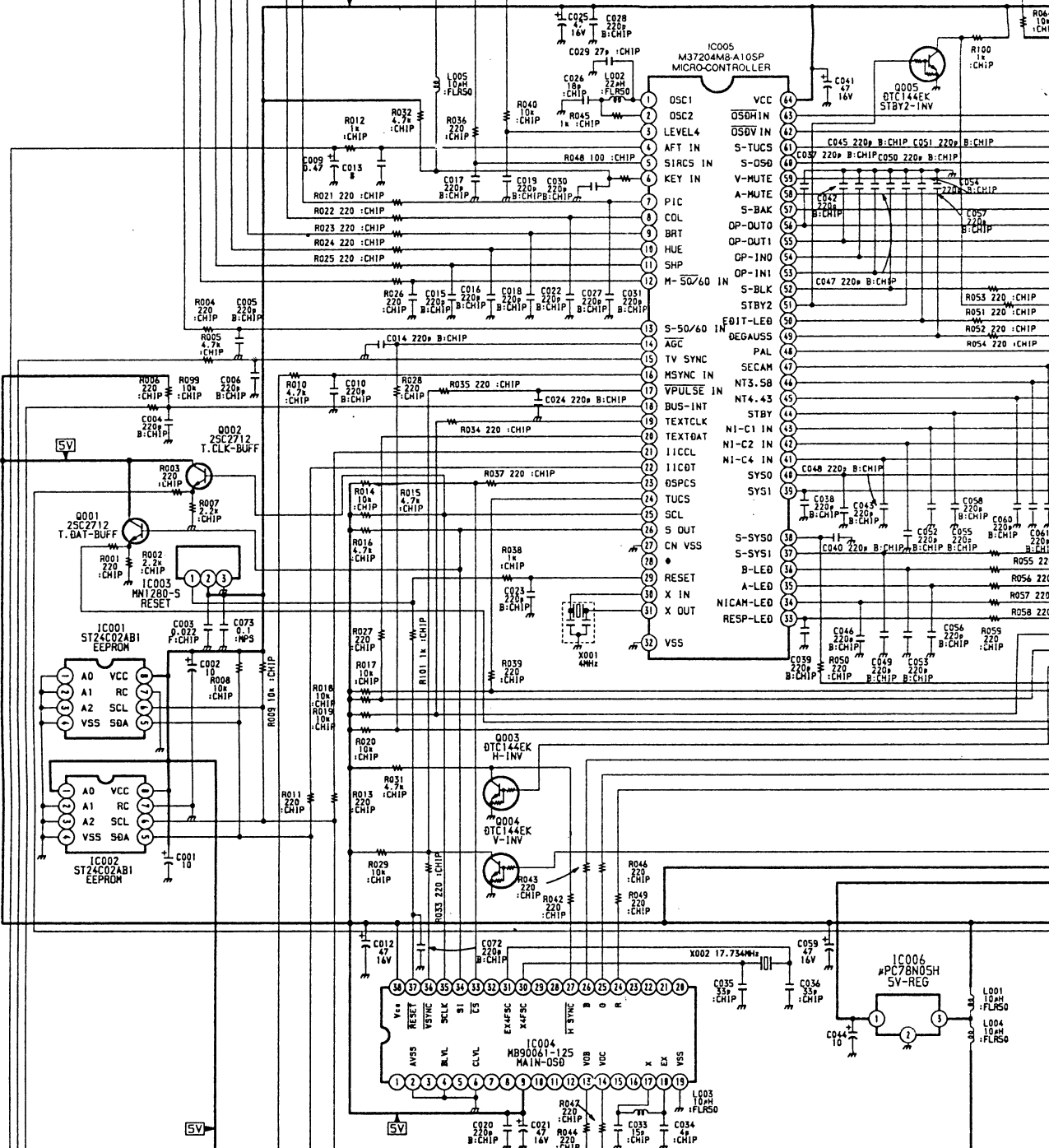
A (TU IF BLOCK)
(AUDIO OUT)

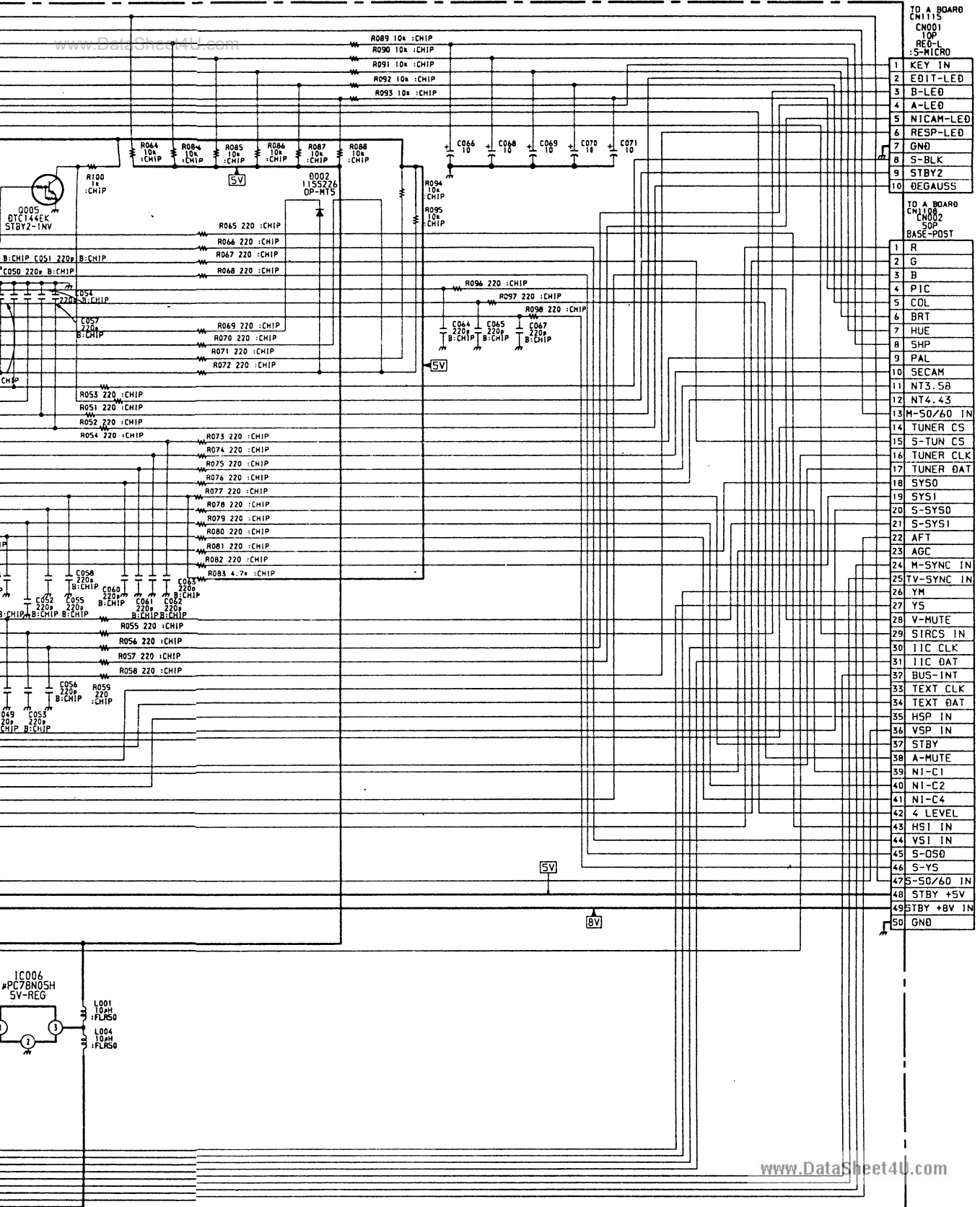
1	CHKCA
2	CHC/B
3	ABL
4	+B
5	NC
6	R
7	B
8	GND
9	BI/NT
10	BBAT
11	BCLK





M (MICRO-CONTROLLER)





- TO A BOARD
CN115
C001
TOP
RED-1
:S-MICRO
- 1 KEY IN
 - 2 EDIT-LED
 - 3 B-LED
 - 4 A-LED
 - 5 NICAM-LED
 - 6 RESP-LED
 - 7 GND
 - 8 S-BLK
 - 9 STBY2
 - 10 DEGAUSS

- TO A BOARD
CN118
C002
50P
BASE-POST
- 1 R
 - 2 G
 - 3 B
 - 4 PIC
 - 5 COL
 - 6 BRT
 - 7 HUE
 - 8 SHP
 - 9 PAL
 - 10 SECAM
 - 11 NT3.58
 - 12 NT4.43
 - 13 M-50/60 IN
 - 14 TUNER CS
 - 15 S-TUN CS
 - 16 TUNER CLK
 - 17 TUNER DAT
 - 18 SYS0
 - 19 SYS1
 - 20 S-SYS0
 - 21 S-SYS1
 - 22 AFT
 - 23 AGC
 - 24 M-SYNC IN
 - 25 TV-SYNC IN
 - 26 YM
 - 27 YS
 - 28 V-MUTE
 - 29 SIRCS IN
 - 30 IIC CLK
 - 31 IIC DAT
 - 32 BUS-INT
 - 33 TEXT CLK
 - 34 TEXT DAT
 - 35 HSP IN
 - 36 VSP IN
 - 37 STBY
 - 38 A-MUTE
 - 39 NI-C1
 - 40 NI-C2
 - 41 NI-C4
 - 42 4 LEVEL
 - 43 HSI IN
 - 44 VSI IN
 - 45 S-OSD
 - 46 S-YS
 - 47 S-50/60 IN
 - 48 STBY +5V
 - 49 STBY +8V IN
 - 50 GND

201
 1P
 0B
 0AARD
 19

12V	1
GND	2
9V	3
SCK	4
IGND	5
SBA	6
I/O	7
NC	8
RT	9
GND	10
IT	11
GND	12
N R	13
GND	14
N L	15

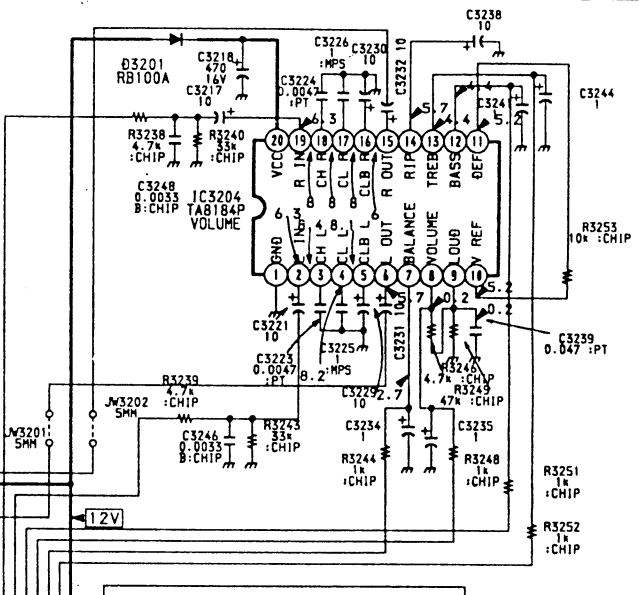
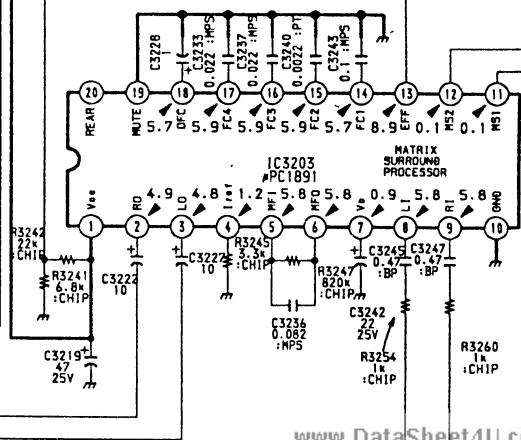
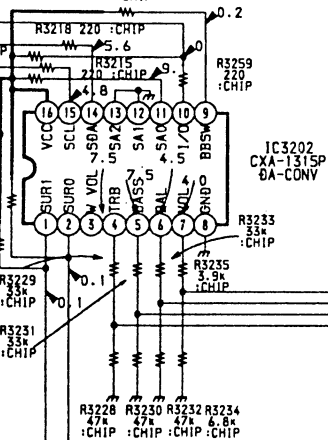
12V

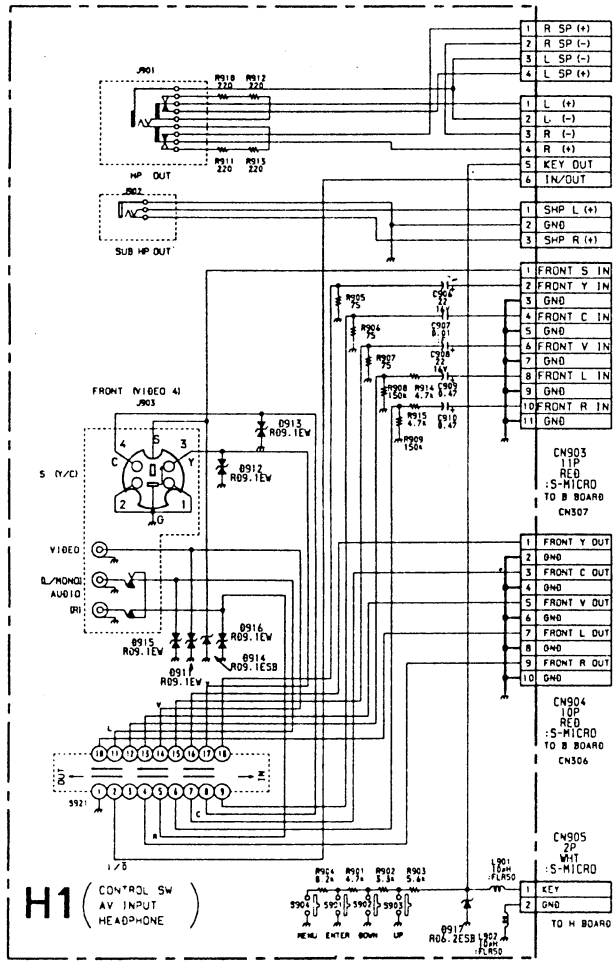
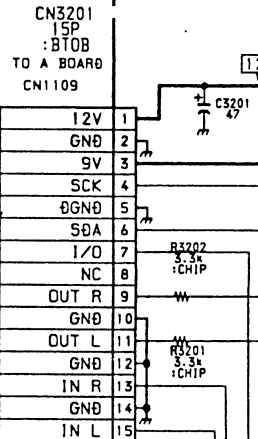
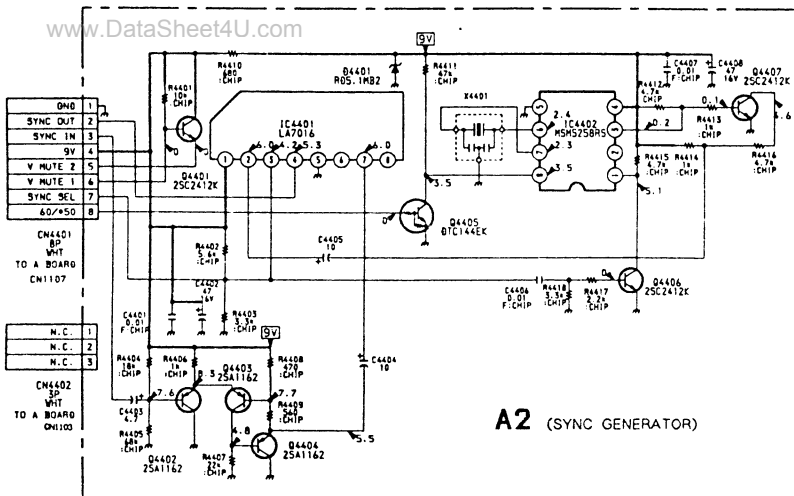
9V

12V

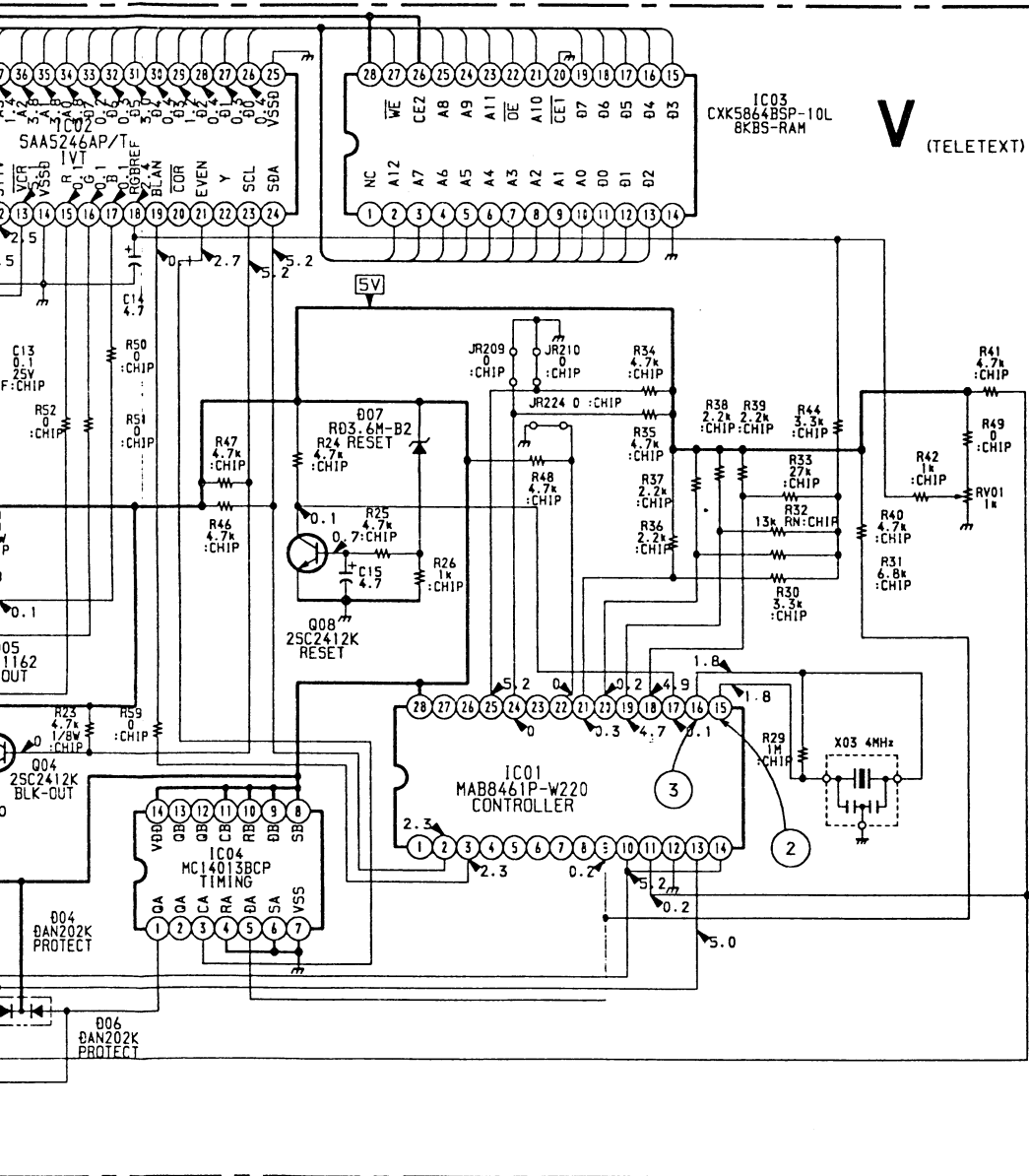
S

(SURROUND PROCESSOR)





- CN906 4P
:S-MICRO
TO J BOARD
TO CN2304
- CN901 6P
:S-MICRO
TO A BOARD
TO CN1101
- CN902 5P
:S-MICRO
TO A BOARD
TO CN1105
- CN903 11P
:S-MICRO
TO B BOARD
CN507
- CN904 10P
:S-MICRO
TO B BOARD
CN306
- CN905 2P
:S-MICRO
TO H BOARD



SCHEMATIC DIAGRAM OF V BOARD

www.DataSheet4U.com

V BOARD WAVEFORMS

①



1.0 V_{p-p} (H)

②

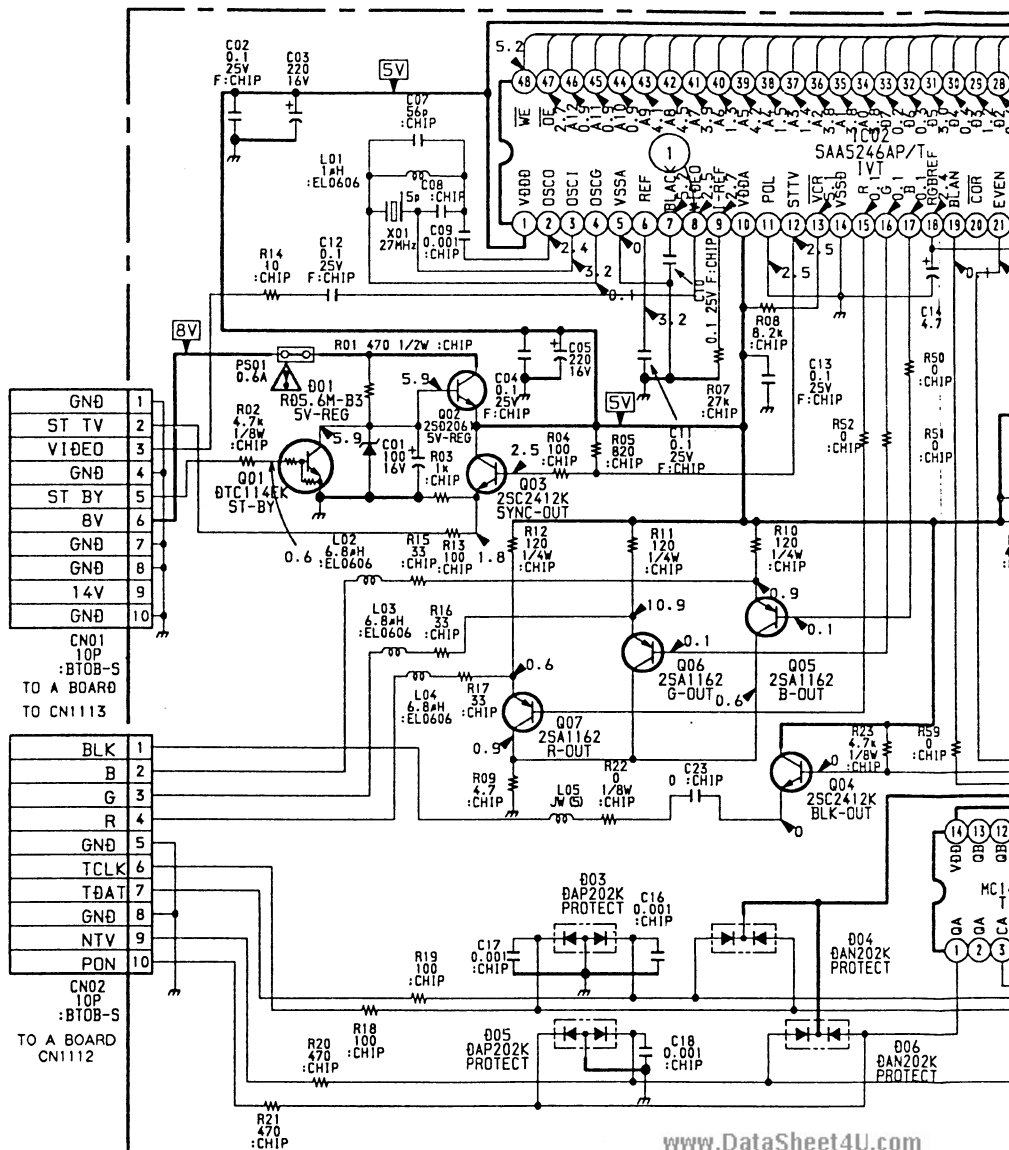


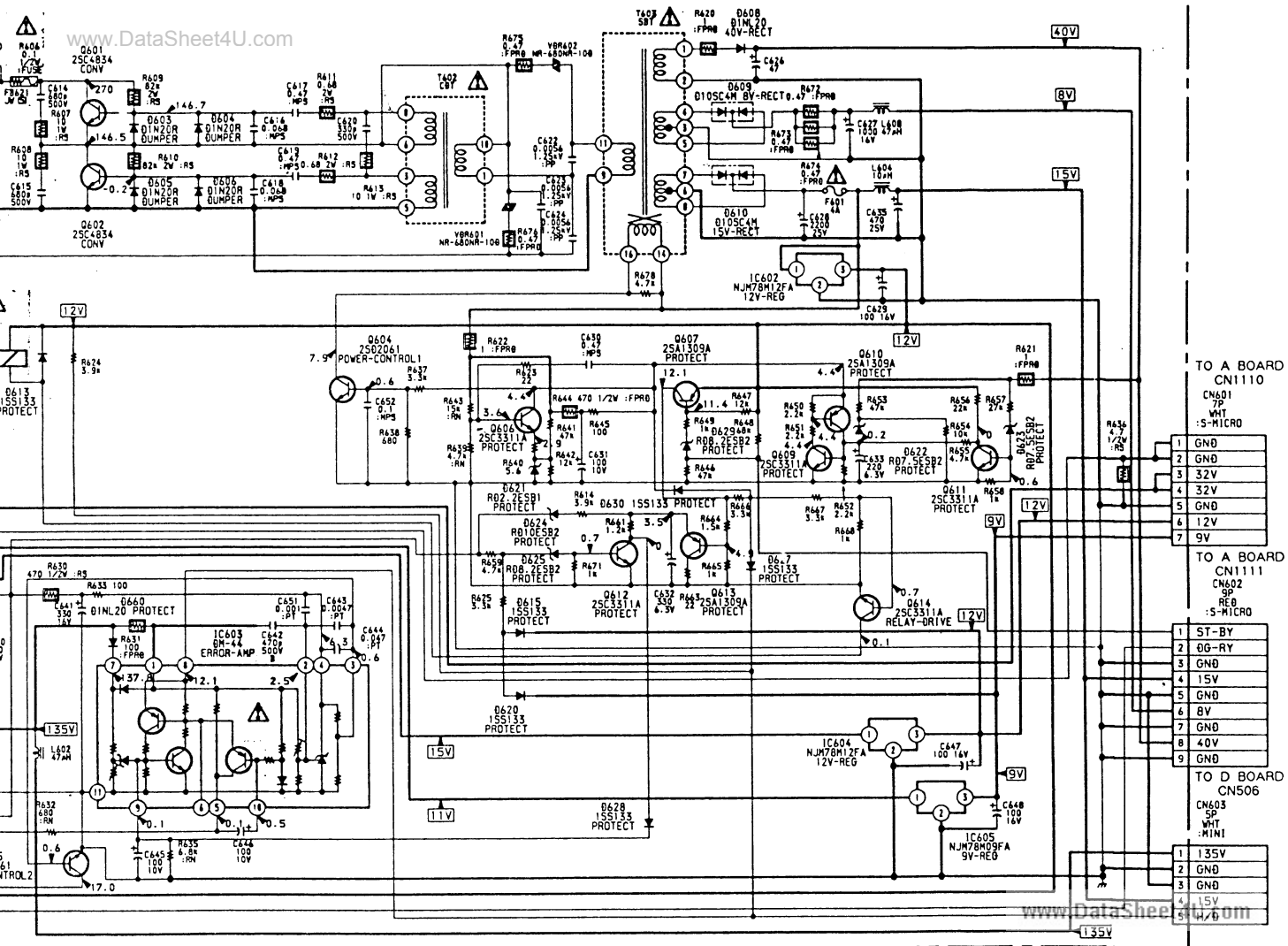
4.0 V_{p-p} (4MHz)

③



4.0 V_{p-p} (4MHz)





TO A BOARD
CN1110

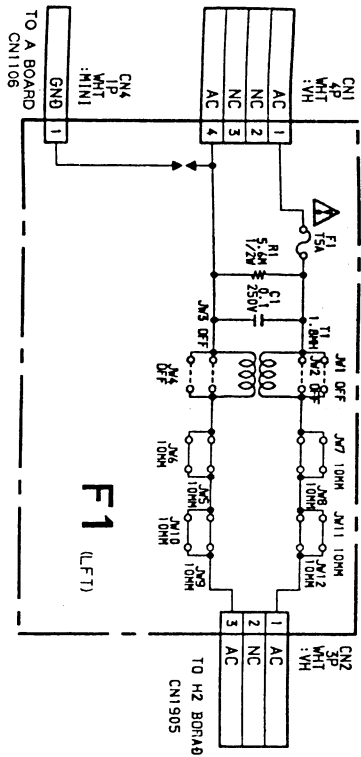
- CN401 7P WHT :S-MICRO
- 1 GND
- 2 GND
- 3 32V
- 4 32V
- 5 GND
- 6 12V
- 7 9V

TO A BOARD
CN1111

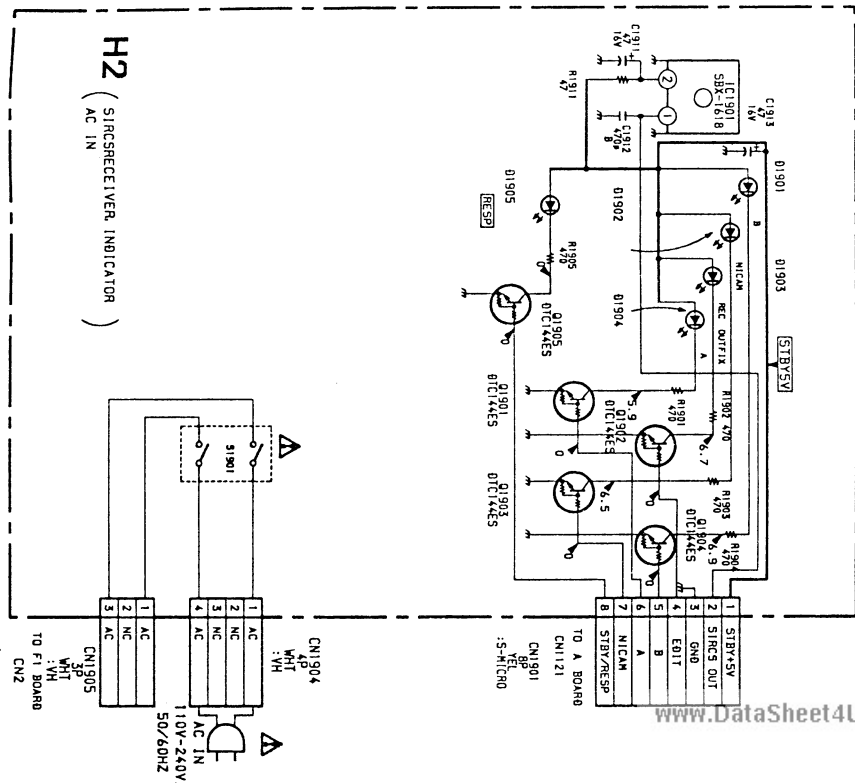
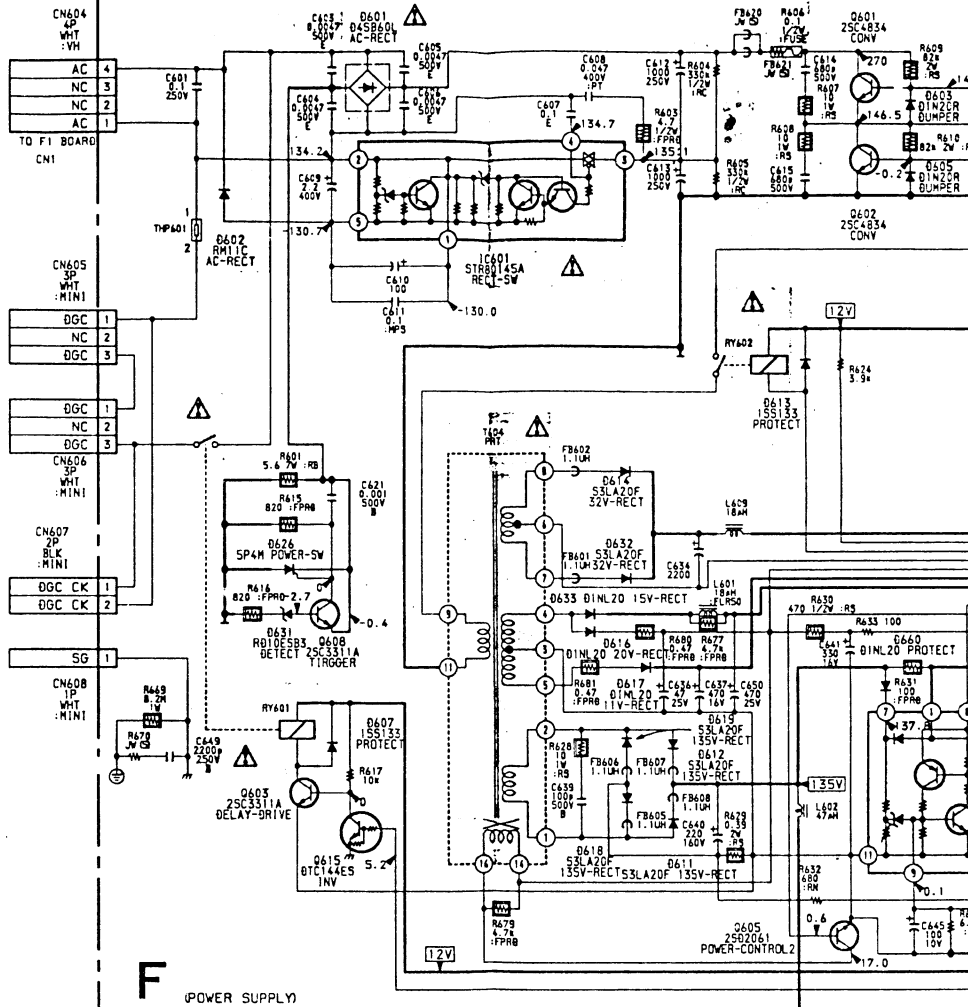
- CN602 9P REB :S-MICRO
- 1 ST-BY
- 2 00-RY
- 3 GND
- 4 15V
- 5 GND
- 6 8V
- 7 GND
- 8 40V
- 9 GND

TO D BOARD
CN506

- CN603 5P WHT :MINI
- 1 135V
- 2 GND
- 3 GND
- 4 15V
- 5 4.76V



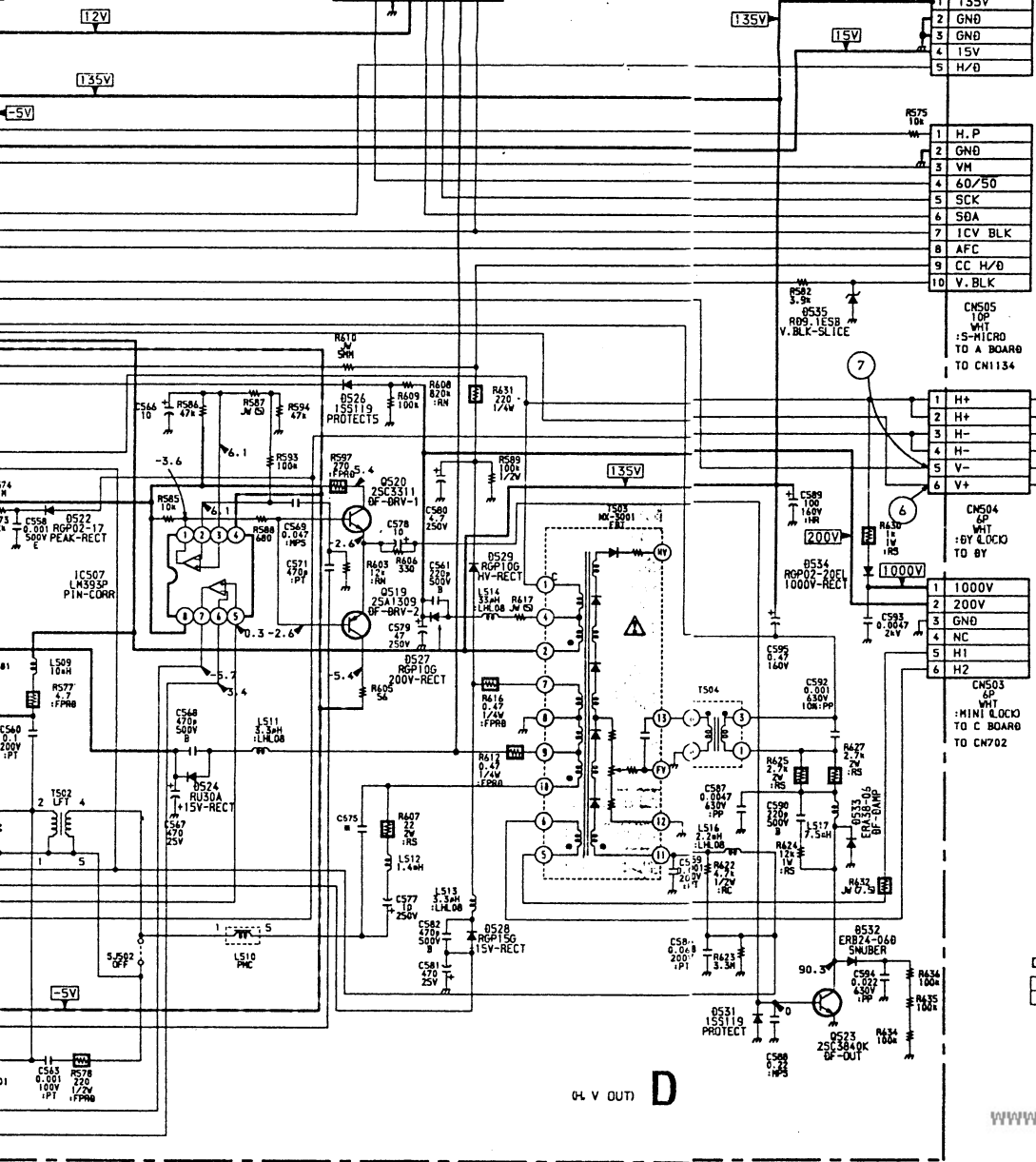
TO F BOARD
CN604



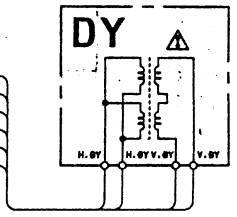
TO 01 BOARD
TO CN803
CNS08
TOP
:BT08

TO 01 BOARD
TO CN803
CNS07
TOP
:BT08

TO F BOARD
TO CN803
CNS04
SP
WHT
:W1N1



1 H. P
2 GND
3 VM
4 60/50
5 SCK
6 SDA
7 1CV BLK
8 AFC
9 CC H/B
10 V. BLK



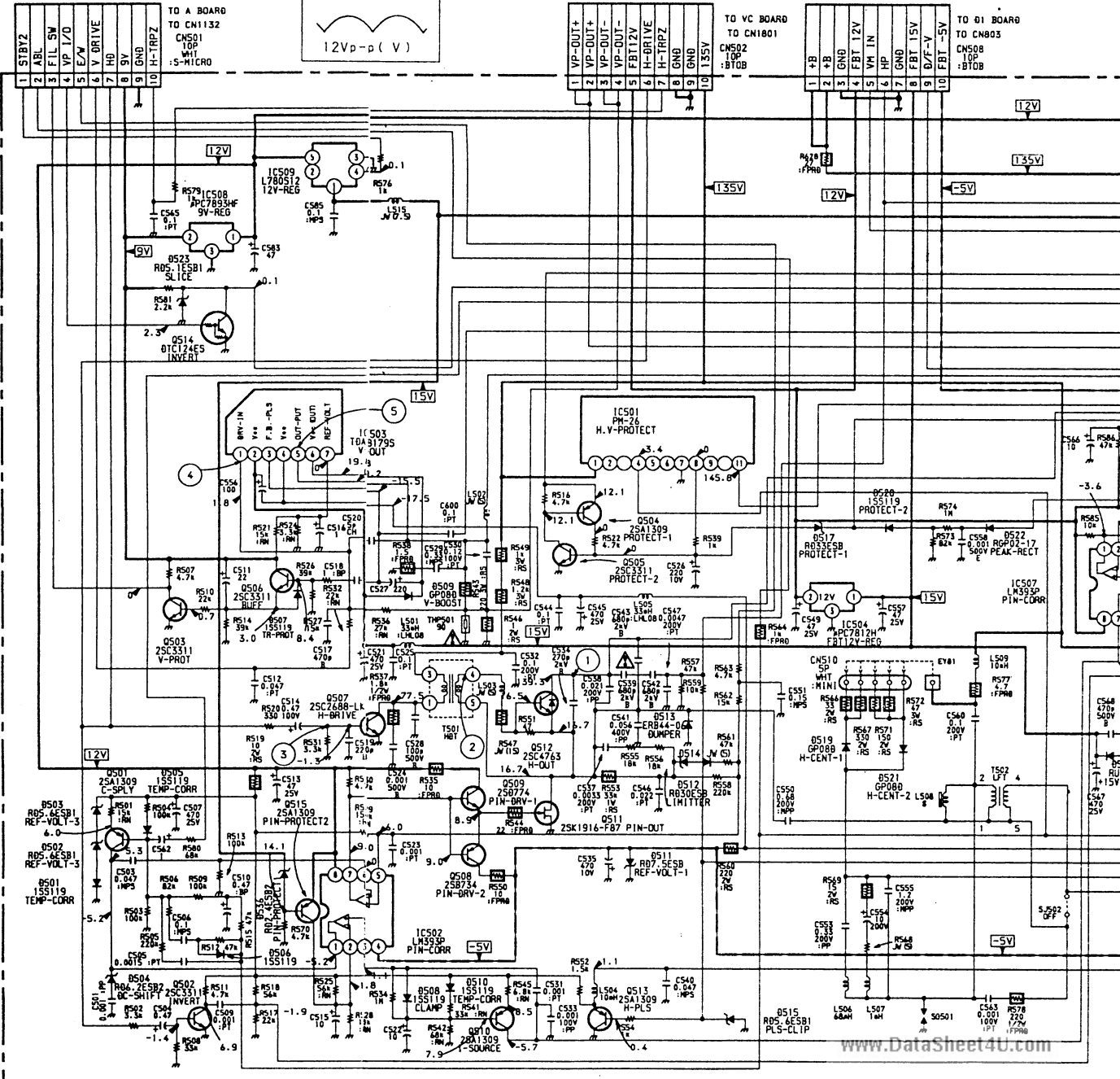
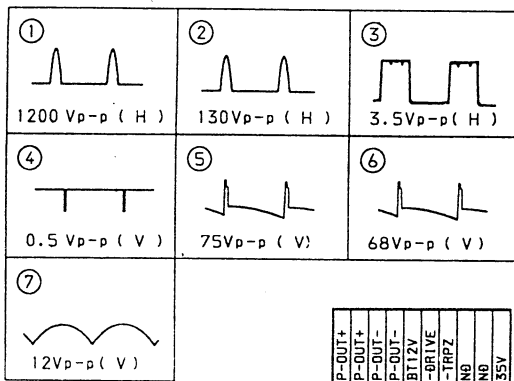
1 H+
2 H+
3 H-
4 H-
5 V-
6 V+

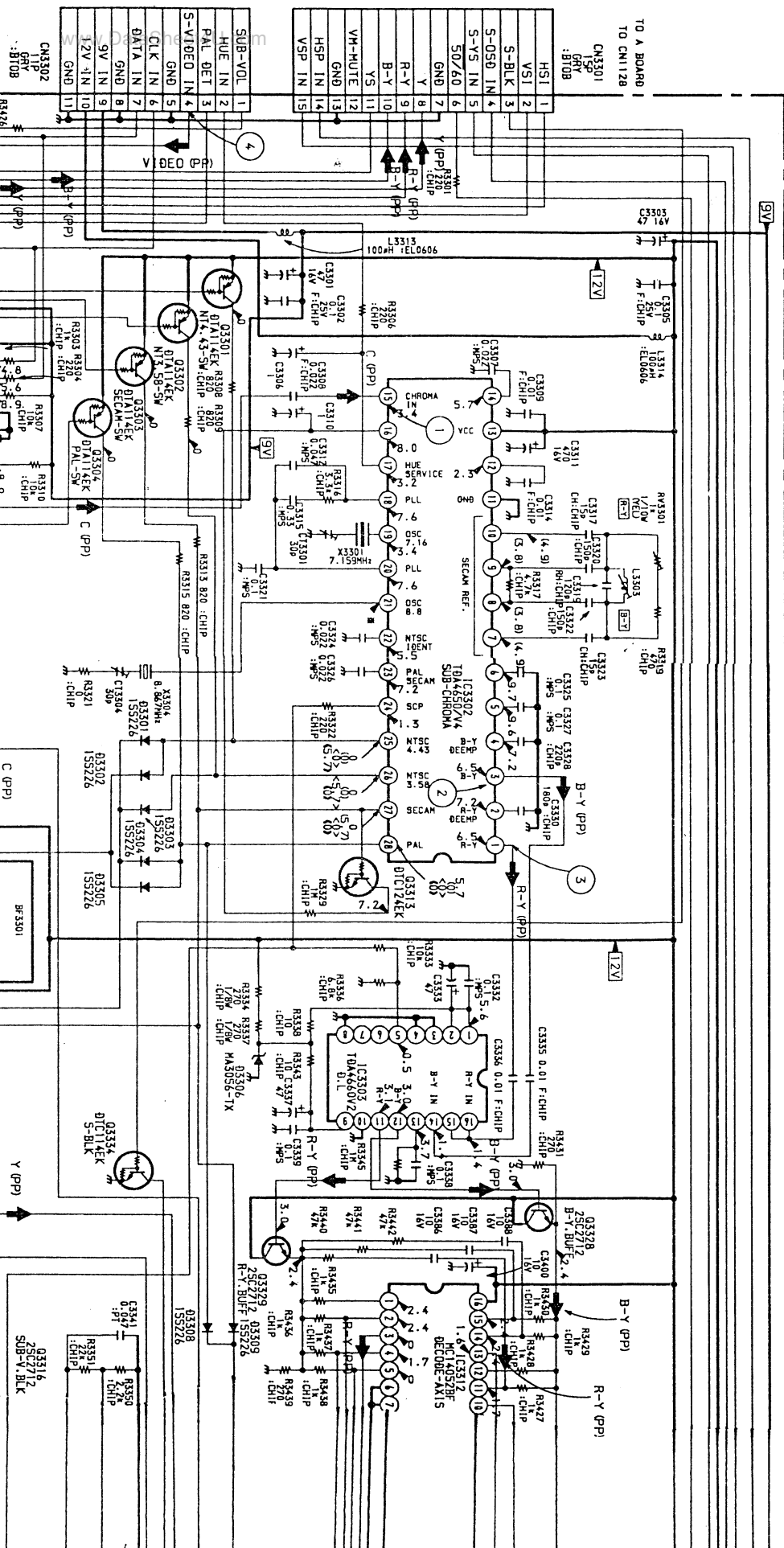
1 1000V
2 200V
3 GND
4 NC
5 H1
6 H2

D Board

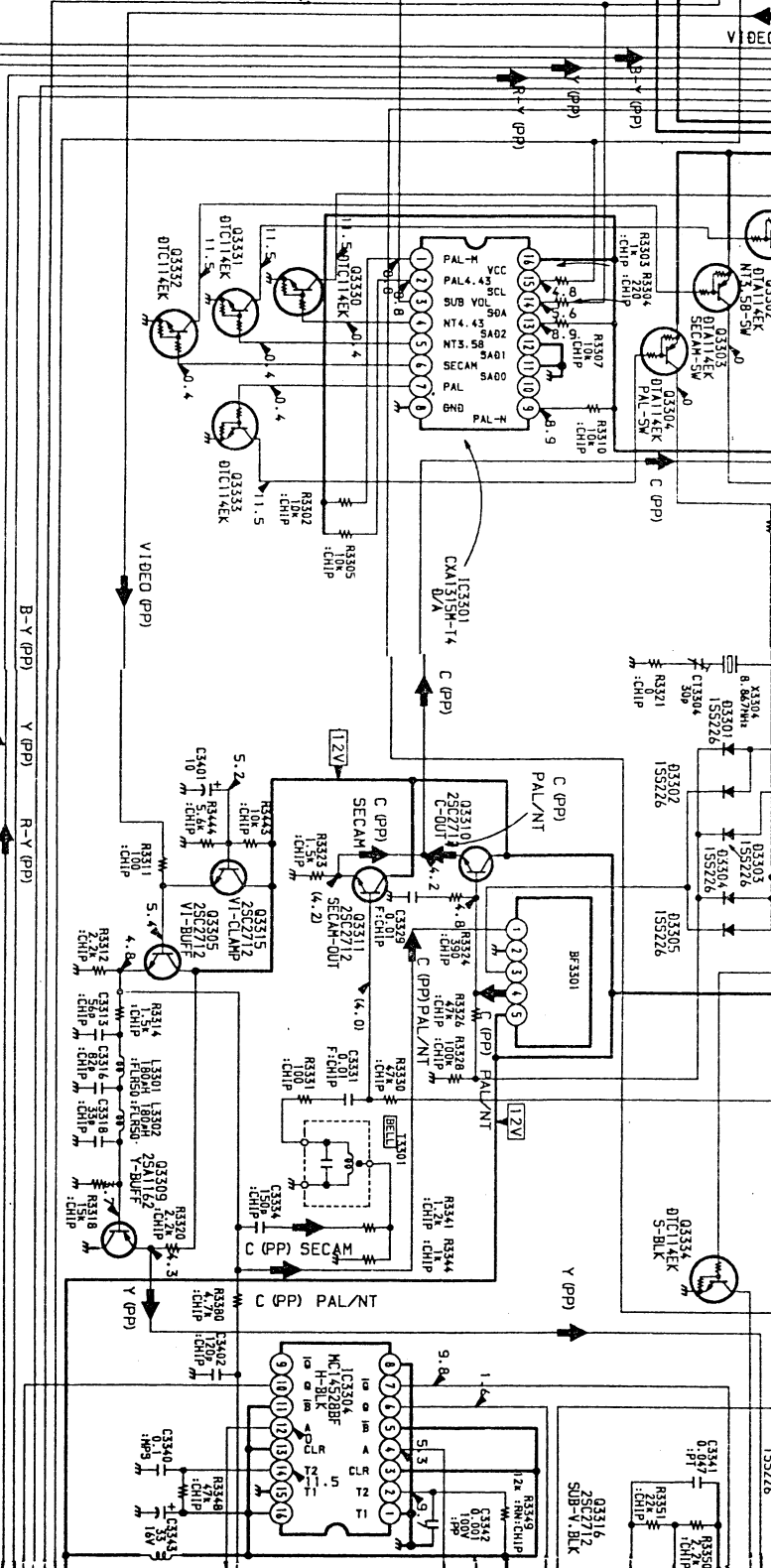
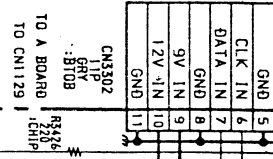
C575	34 inch only	29 inch only
	0.6A 200v	1 200v

DL V OUT **D**



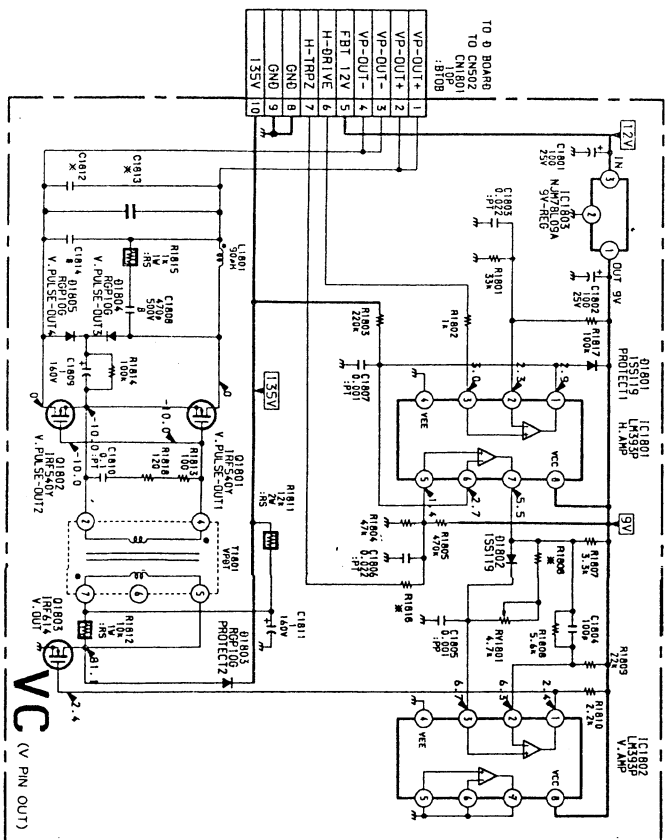


<p>0.22 Vp-p (H)</p>	<p>0.7 Vp-p (H)</p>	<p>0.6 Vp-p (H)</p>
<p>2.0 Vp-p (H)</p>	<p>1.25 Vp-p (H)</p>	<p>0.7 Vp-p (H)</p>
<p>0.6 Vp-p (H)</p>	<p>0.7 Vp-p (H)</p>	<p>0.6 Vp-p (H)</p>

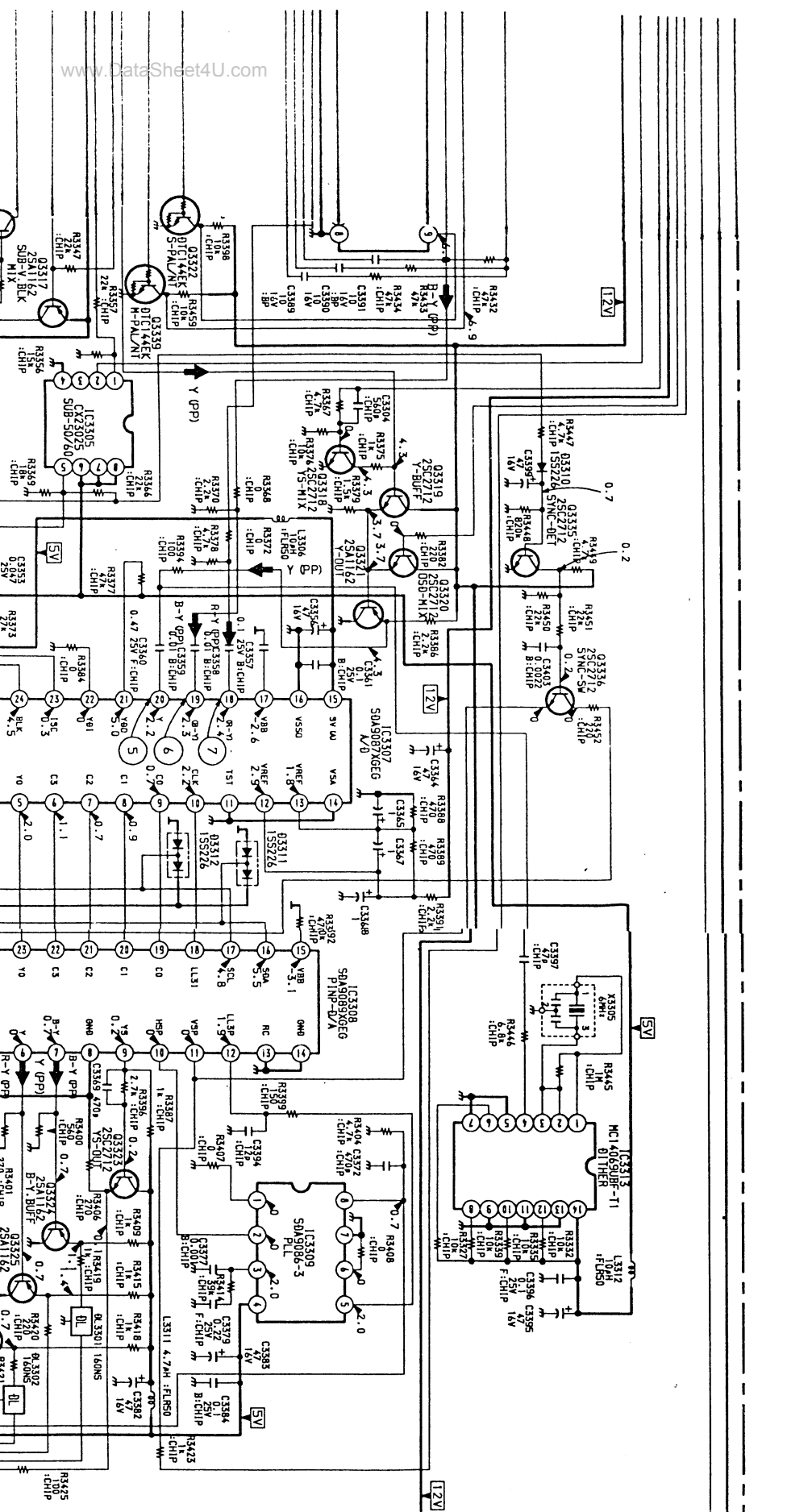


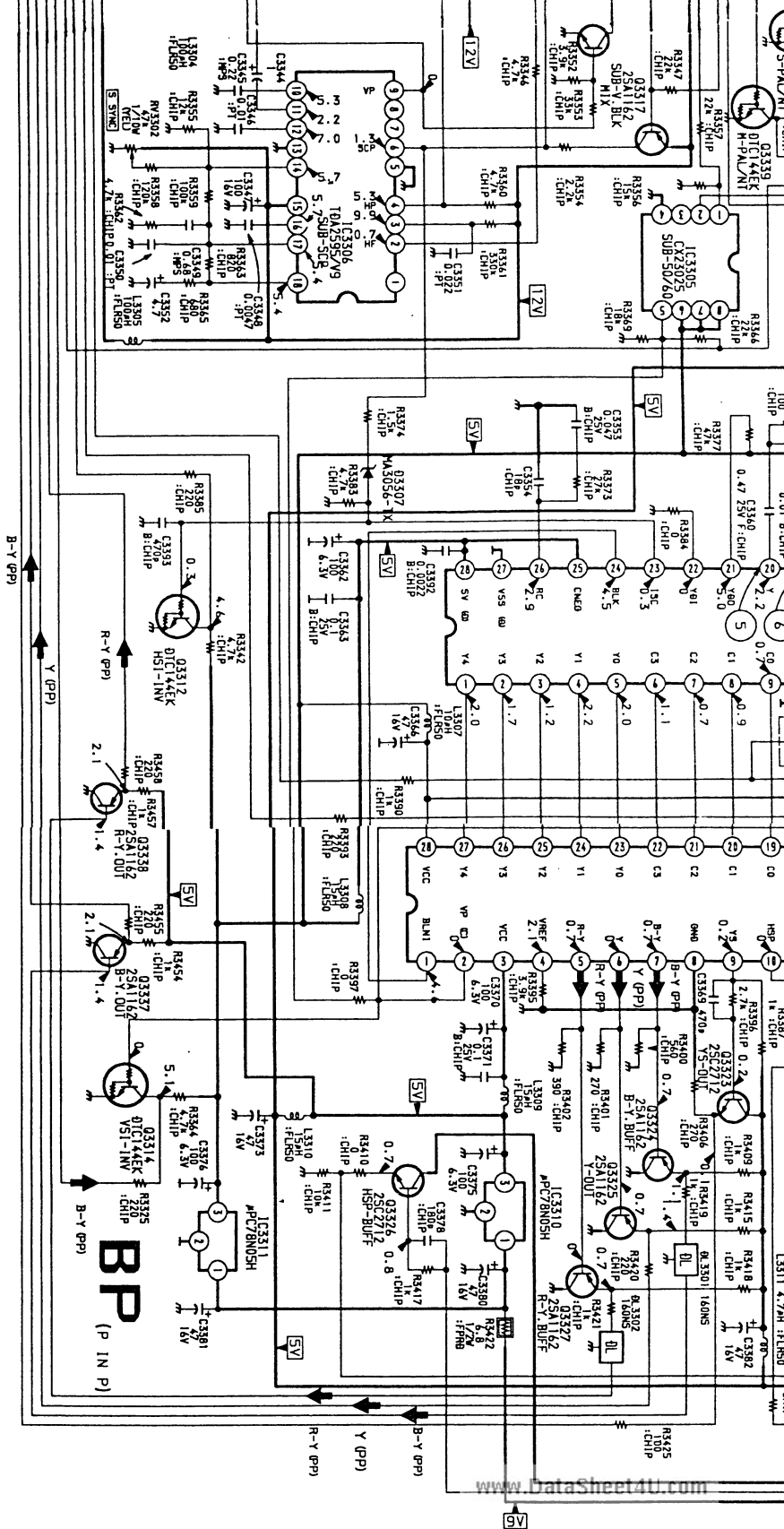
VC Board

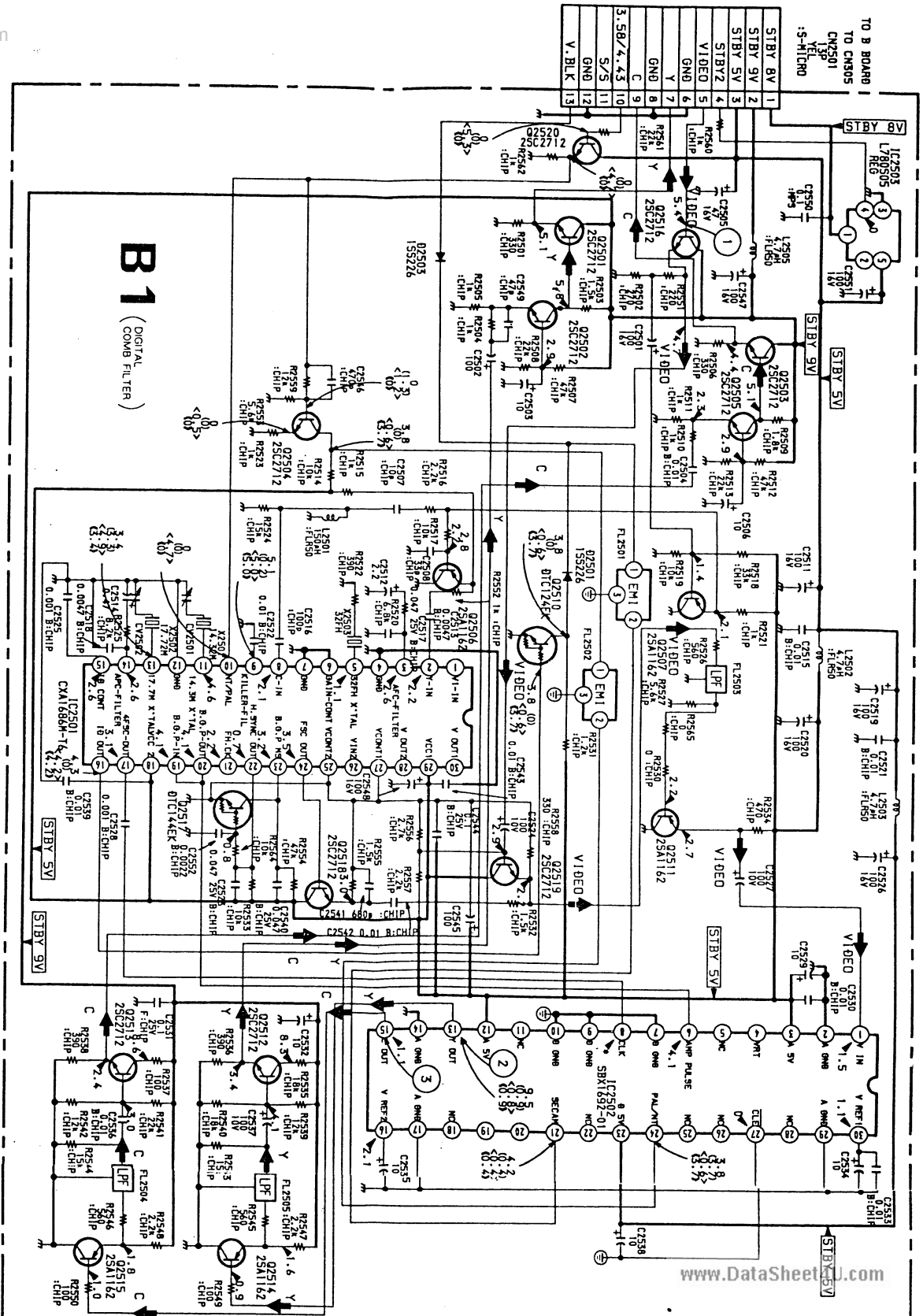
R1806	82K	29 inch only
R1816	47K	27K
C1812	0.24 200V	0.16 200V
C1813	—	0.047 200V



VC (V PIN OUT)

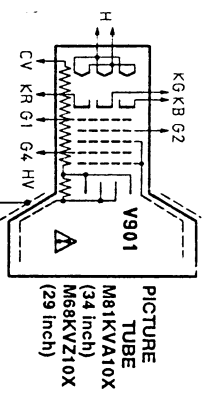






B1
(DIGITAL COMB FILTER)

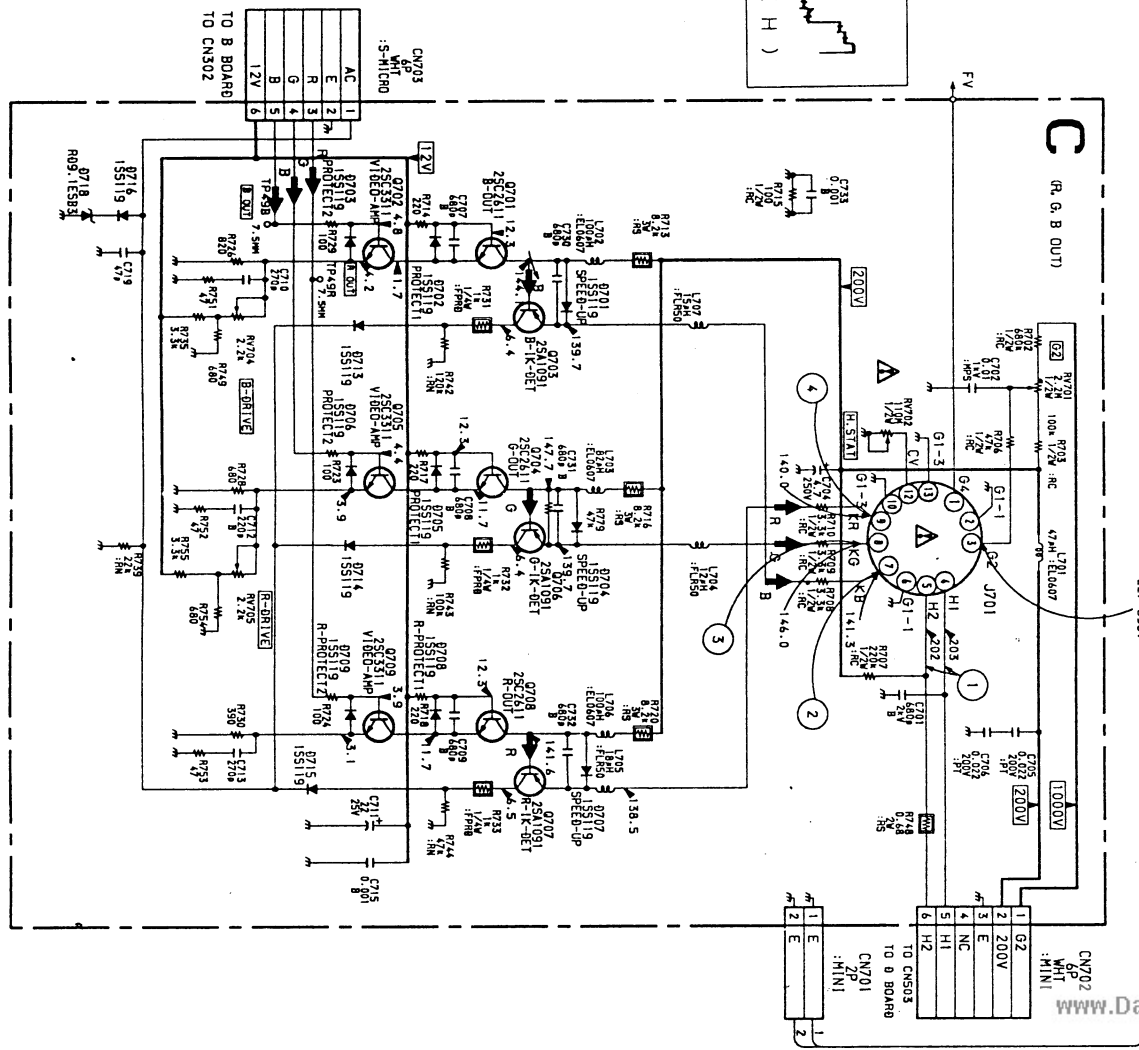
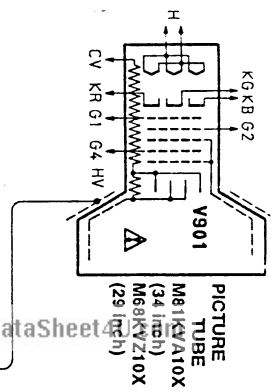
①	PAL NTSC 3.58	①	SECAM	②	PAL NTSC 3.58
②	SECAM	③	PAL NTSC 3.58	③	SECAM
2.2 Vp-p (H)		2.5 Vp-p (H)		1.7 Vp-p (H)	

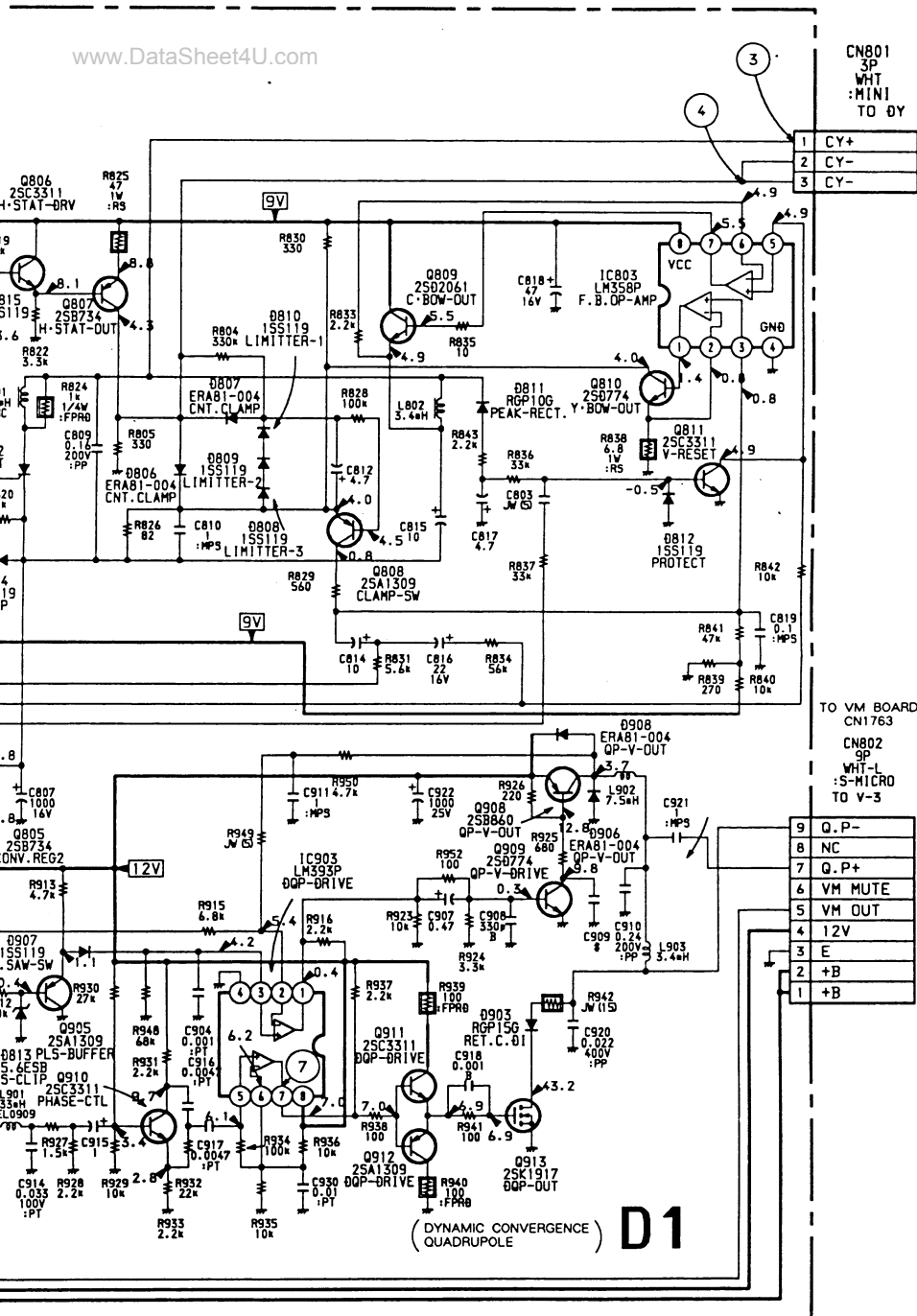


PICTURE TUBE
M81KV10X (34 inch)
M68KVZ10X (29 inch)

	2.2 Vp-p (H)		2.5 Vp-p (H)		1.7 Vp-p (H)
	2.2 Vp-p (H)		1.2 Vp-p (H)		0.7 Vp-p (H)

	41.0 Vp-p (H)		130 Vp-p (H)		130 Vp-p (H)
	130 Vp-p (H)				



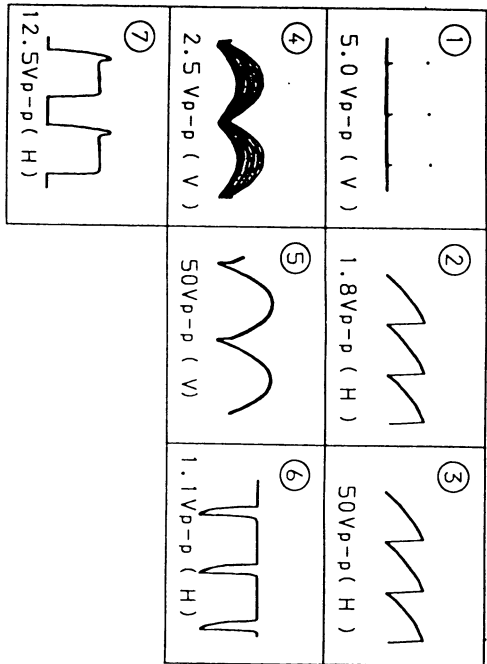


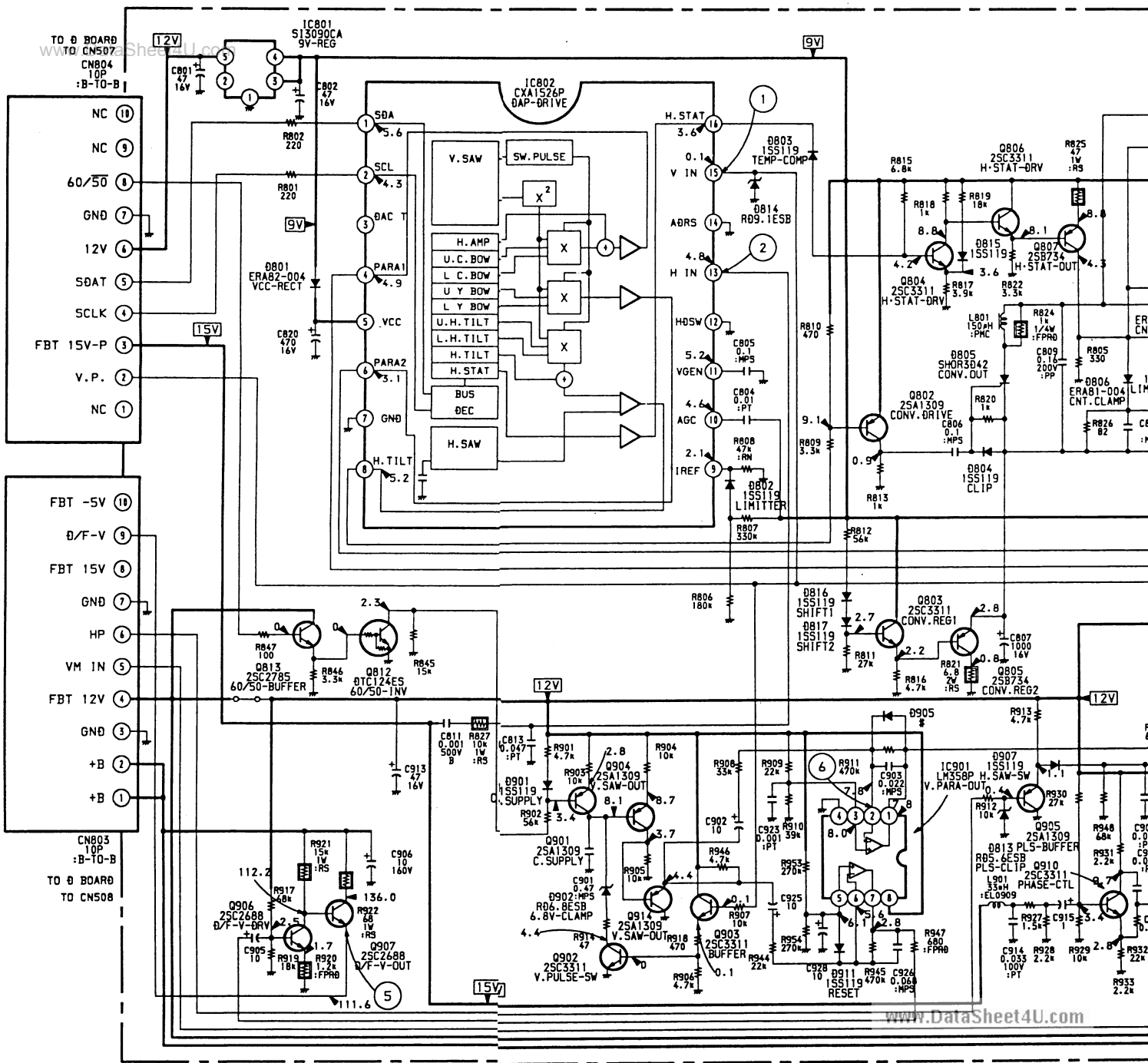
CN801
3P
WHT
:MINI
TO DY

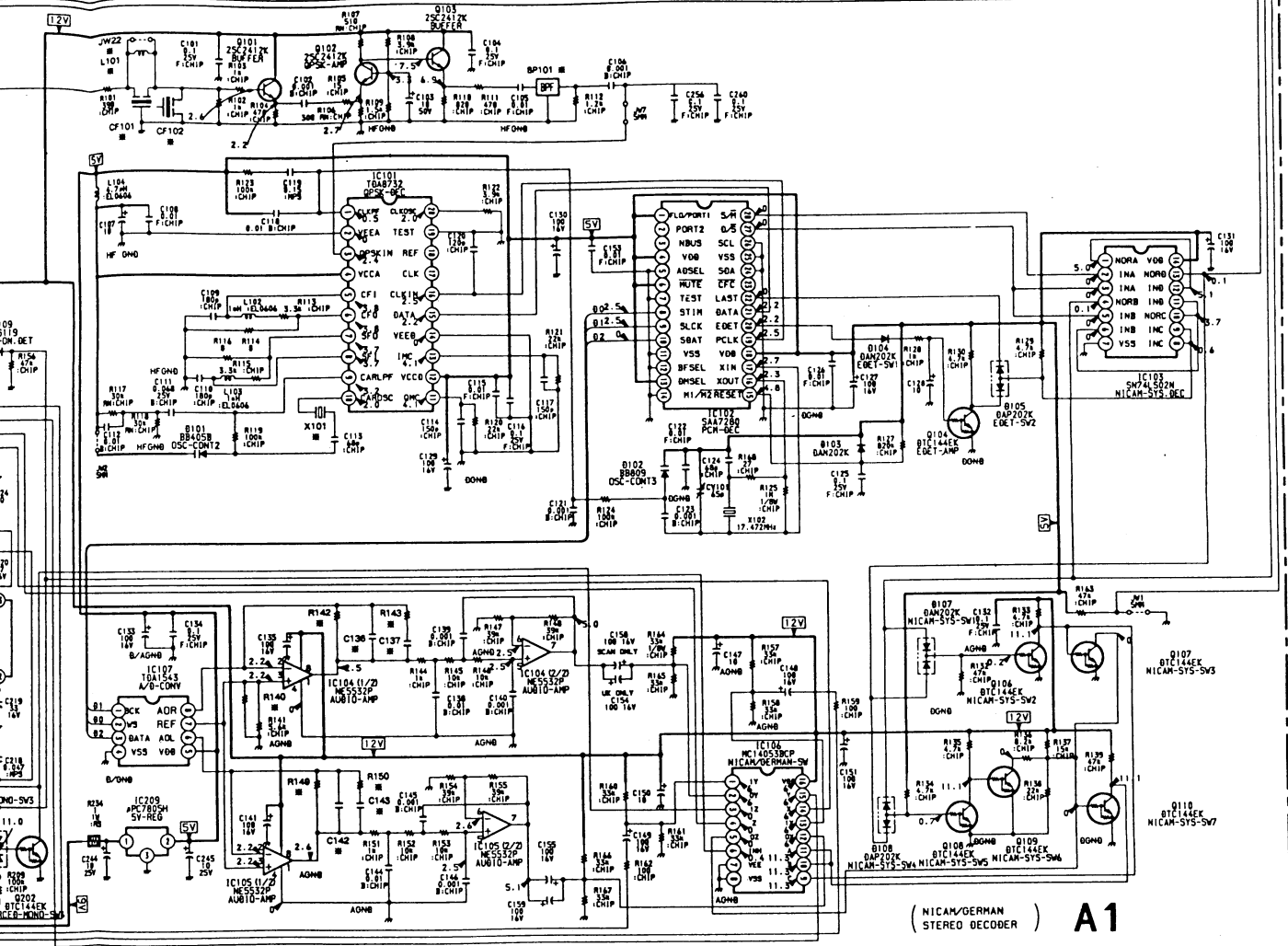
1	CY+
2	CY-
3	CY-

TO VM BOARD
CN1763
CN802
9P
WHT-L
:S-MICRO
TO V-3

9	Q.P.-
8	NC
7	Q.P.+
6	VM MUTE
5	VM OUT
4	12V
3	E
2	+B
1	+B

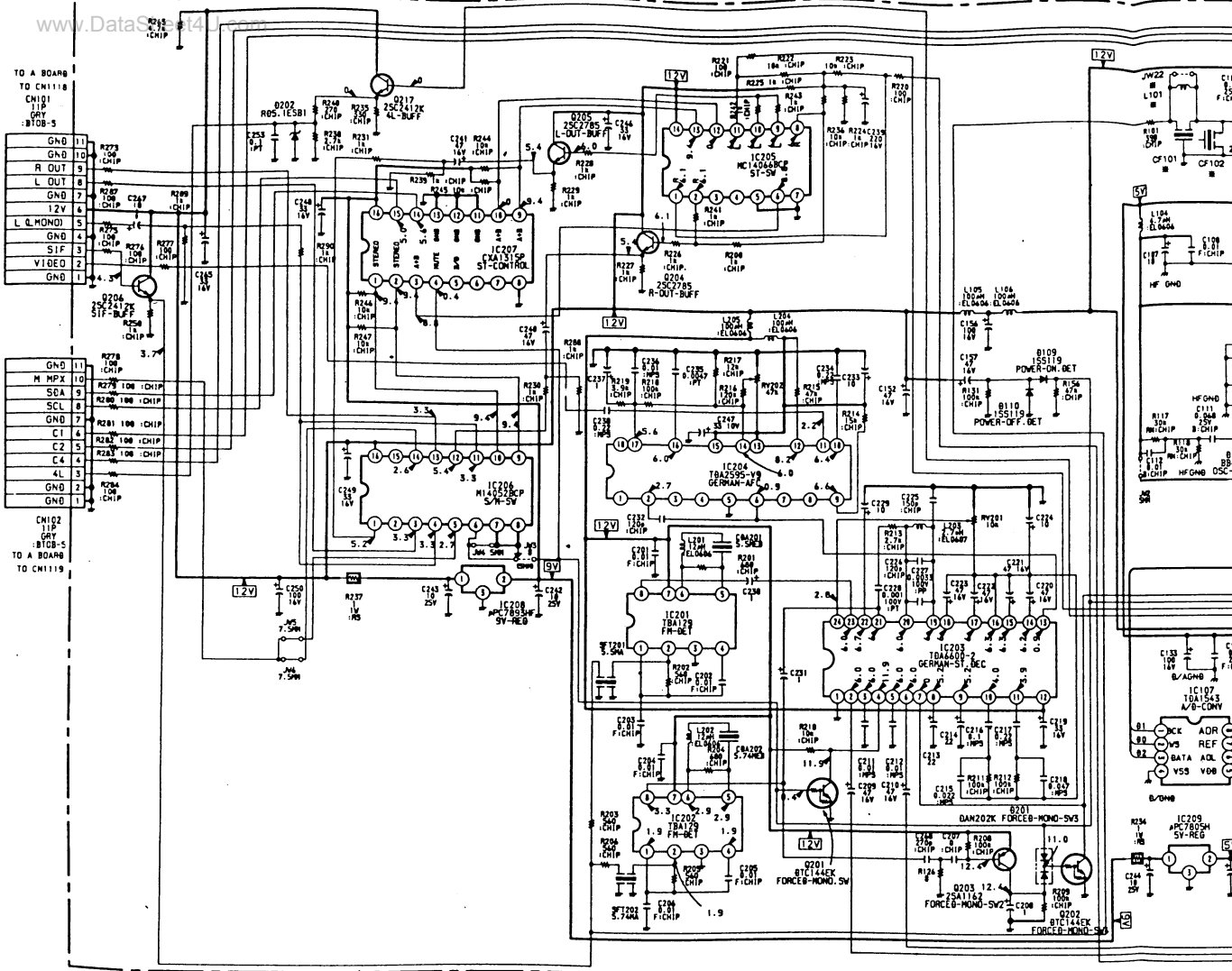






(NICAM/GERMAN STEREO DECODER) **A1**

C137	0.022 25V B:CHIP	KV/S28MH1
BP101	1-236-238-12	KV/S28MH1
C136	0.012 B:CHIP	KV/S28MH1
0.022 25V B:CHIP	1-236-477-11	KV/S29JN1/KV/S24JN1
0.033 25V B:CHIP	0.033 25V B:CHIP	KV/S28MH1/KV/S24MH1
0.022 25V B:CHIP	0.033 25V B:CHIP	



XI01	1.310MHz	1.579283232	11.700MHz	1.57928232
RI50	820 : CHIP		360 RN : CHIP	
RI49	3.9k : CHIP		3.9k : CHIP	
RI43	820 : RS		360 RN : CHIP	
RI42	3.9k : CHIP		3.9k : CHIP	
RI40	15k : RS		15k : RS	
JW22			5MM	
L101	1.5 u.H : EL0606			
CF102				
CF101	1.409333-11			
C143	0.047 25V B : CHIP		0.1 25V B : CHIP	
C142	0.012 B : CHIP		0.033 25V B : CHIP	
C137	0.047 25V B : CHIP		0.1 25V B : CHIP	
C136	0.012 B : CHIP		0.033 25V B : CHIP	
BP101	1.236-238-12		1.236-477-11	
KV-S29NH1	KV-S34NH1		KV-S29JN1 / KV-S46N1	
KV-S29NH1 / KV-S34NH1			KV-S29NH1 / KV-S34NH1	