

SONY®

# TRINITRON® COLOR TV

(CABLE COMPATIBLE TV)

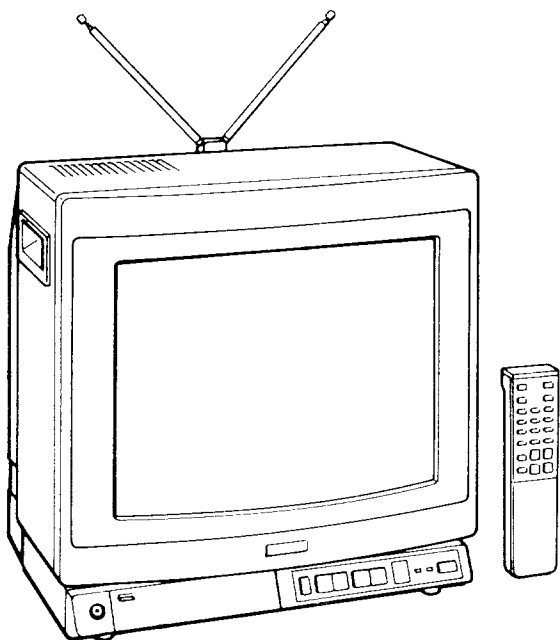
## OPERATING INSTRUCTIONS

Welcome to the advanced world of Sony TV. For the best results and the utmost satisfaction from your new set, please read this manual thoroughly and retain it for future reference.

## OWNER'S RECORD

The model and serial numbers are located at the rear. Record these numbers in the spaces provided below. Refer to them whenever you call upon your Sony dealer regarding this product.

Model No. \_\_\_\_\_ Serial No. \_\_\_\_\_



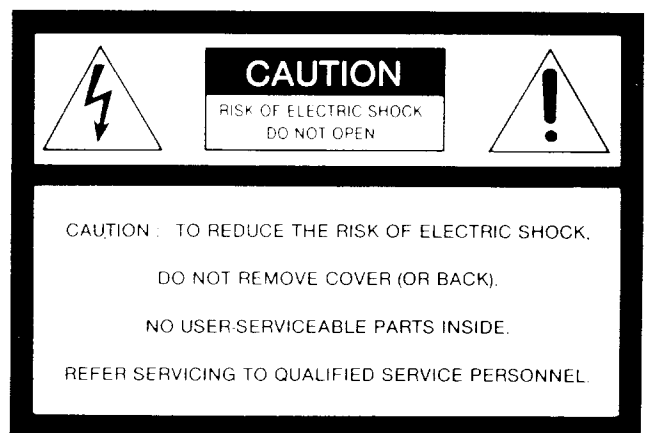
**New Black-tinted Trinitron** picture tube absorbs most ambient light and remarkably improves picture contrast.

**New PanFocus™ Gun** delivers clear and crisp images with remarkably improved sharpness all the way to the screen's edges and corners.

© 1985 by Sony Corporation

## WARNING

To prevent fire or shock hazard, do not expose the unit to rain or moisture.



This symbol is intended to alert the user to the presence of uninsulated "dangerous voltage" within the product's enclosure that may be of sufficient magnitude to constitute a risk of electric shock to persons.



This symbol is intended to alert the user to the presence of important operating and maintenance (servicing) instructions in the literature accompanying the appliance.

### CAUTION

TO PREVENT ELECTRIC SHOCK, DO NOT USE THIS POLARIZED AC PLUG WITH AN EXTENSION CORD, RECEPTACLE OR OTHER OUTLET UNLESS THE BLADES CAN BE FULLY INSERTED TO PREVENT BLADE EXPOSURE.



# PRECAUTIONS

## Safety

- Operate the set only on 120 V ac.
- One blade of the plug is wider than the other for the purpose of safety and will fit into the power outlet only one way. If you are unable to insert the plug fully into the outlet, contact your dealer.
- Should any liquid or solid object fall into the cabinet, unplug the set and have it checked by qualified personnel before operating it any further.
- Unplug the set from the wall outlet if it is not going to be used for several days or more. To disconnect the cord, pull it out by the plug. Never pull the cord itself.

## Installation

- To prevent internal heat build-up, do not block the ventilation openings.
- Do not install the set in a hot or humid place or in a place subject to excessive dust or mechanical vibration.

## Cleaning

Clean the set with a slightly damp soft cloth. Use a mild household detergent. Never use strong solvents such as thinner or benzine as they might damage the finish of the cabinet.

## Repacking

Retain the original carton and packing materials for safe transport of this TV set in the future.

---

Use of this television receiver for other than private viewing of programs broadcast on UHF or VHF or transmitted by cable companies for the use of the general public may require authorization from the broadcaster/cable company and/or program owner.

---

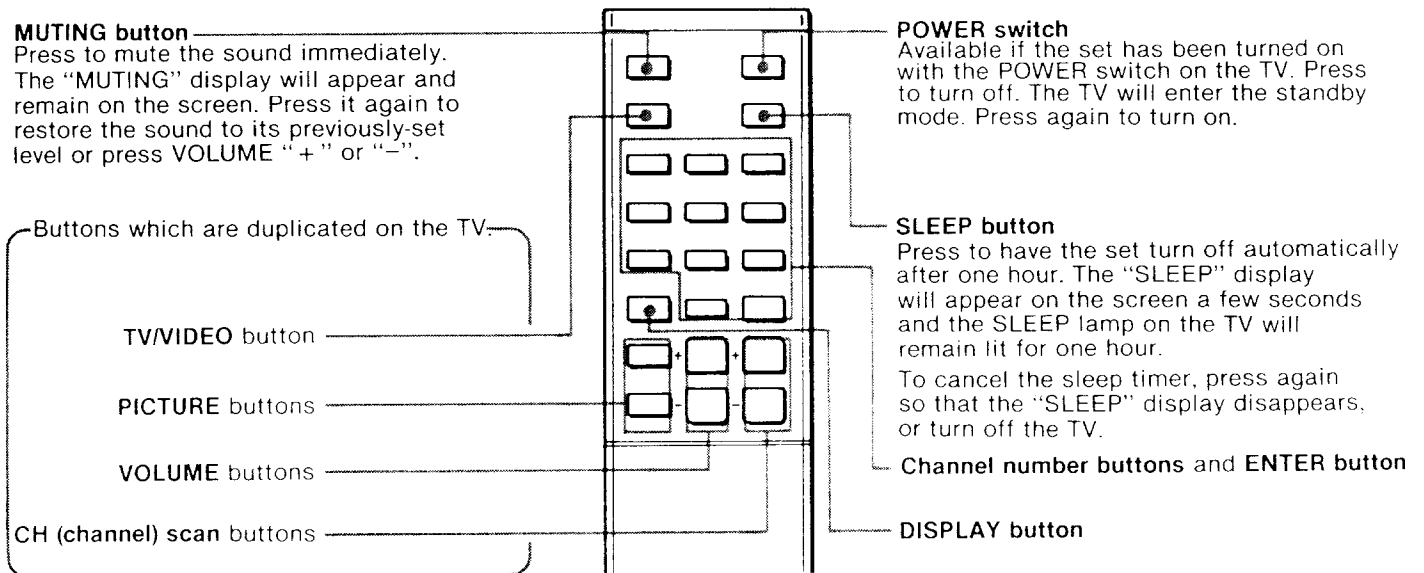
# REMOTE COMMANDER RM-729

## Battery insertion

- 1 Turn the Remote Commander face down, press the tab and lift the cover.
- 2 Place batteries in the Commander with the polarities in the correct directions, as illustrated inside the case.
- 3 Replace the cover.

## MUTING button

Press to mute the sound immediately. The "MUTING" display will appear and remain on the screen. Press it again to restore the sound to its previously-set level or press VOLUME "+" or "-".

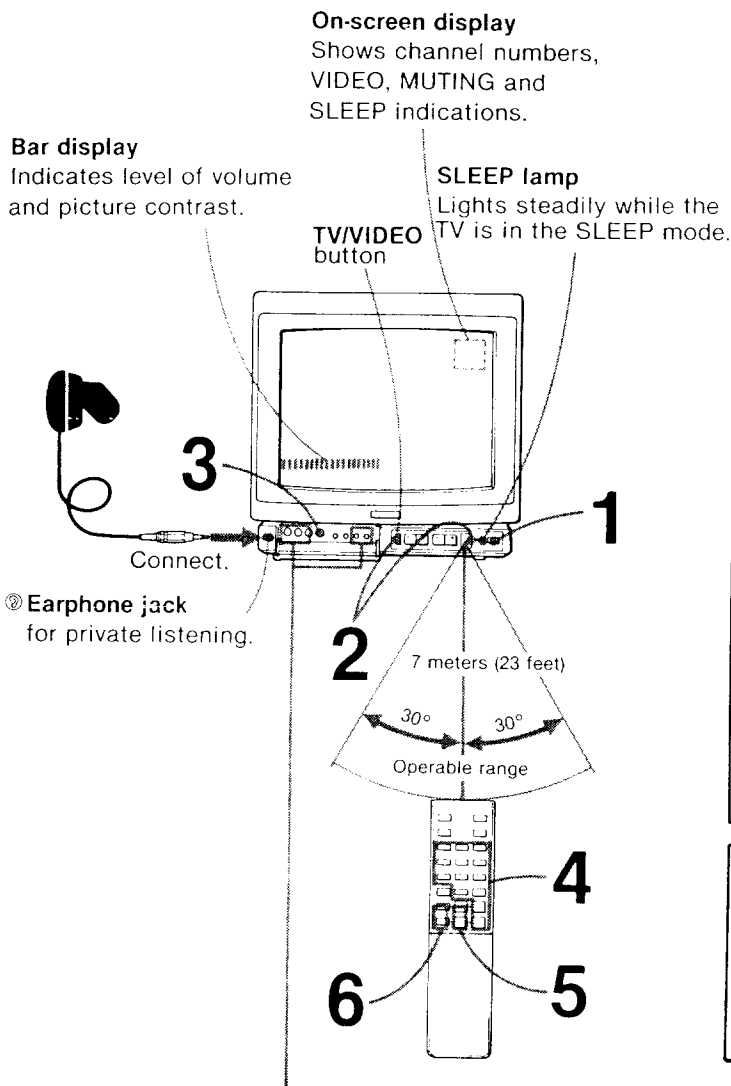


## Notes

- Use 2 size AA batteries (IEC designation R6).
- In normal operation, batteries will last up to half a year. If the set does not operate properly, the batteries might be exhausted. Replace all with new ones.
- To avoid damage from possible battery leakage, remove the batteries for extended unused periods.
- Be sure that there are no obstructions between the Commander and the TV.
- Operable range is limited.

# TV OPERATION

Use the supplied Remote Commander.



**1** Press **POWER** on the TV.  
The **SLEEP** lamp (red) will light up for several seconds. To turn the set completely off, press it again. Once the set is turned on with this main **POWER** switch, you can turn it on and off with the power switch of the Remote Commander.

**2** Make sure that **VIDEO** indication lamp (yellow) is not lit. If it is lit, press **TV/VIDEO** button to turn it off.

**3** To view CATV programs, turn this selector to **ON**. For VHF/UHF programs, set it to **OFF**.

**4** Select the desired channel in one of the following two ways. The selected channel number will appear on the screen.

**1** Press the number(s) of the channel. Then press **ENTER**.  
or  
**2** Press **CH "+"** for higher-numbered channels or **CH "-"** for lower numbered channels.

The channel display on the screen will remain for a few seconds. To keep the channel display on the screen, press **DISPLAY**. To cancel it, press again.

**5** Adjust **VOLUME**.

+ to increase  
VOL  
 - to decrease

**6** Adjust picture contrast

+ to increase  
PICTURE  
 - to decrease

## PICTURE ADJUSTMENTS

If any adjustment is necessary, adjust the appropriate control as described below.

skin tones become purplish skin tones become greenish

for less color intensity for more color intensity

for less brightness for more brightness

press to decrease picture contrast press to increase picture contrast

Contrast level will be displayed on screen

### Cable TV channel chart \*

Cable TV systems use letters or numbers to designate channels. To tune in a channel, refer to this chart.

Number on this TV		1	5	6	14	15	16	17				
Corresponding CATV channel		A 8	A-7	A 6	A B	C	D					
18	19	20	21	22	23	24	25	26	27	28	29	30
E	F	G	H	I	J	K	L	M	N	O	P	Q
31	32	33	34	35	36	37	38	39			93	94
R	S	T	U	V	W	W-1	W-2	W+3			W+57	W+58
95	96	97	98	99	100	101	102			123	124	125
A 5	A 4	A 3	A 2	A 1	W-59	W-60	W+61			W+82	W+83	W+84

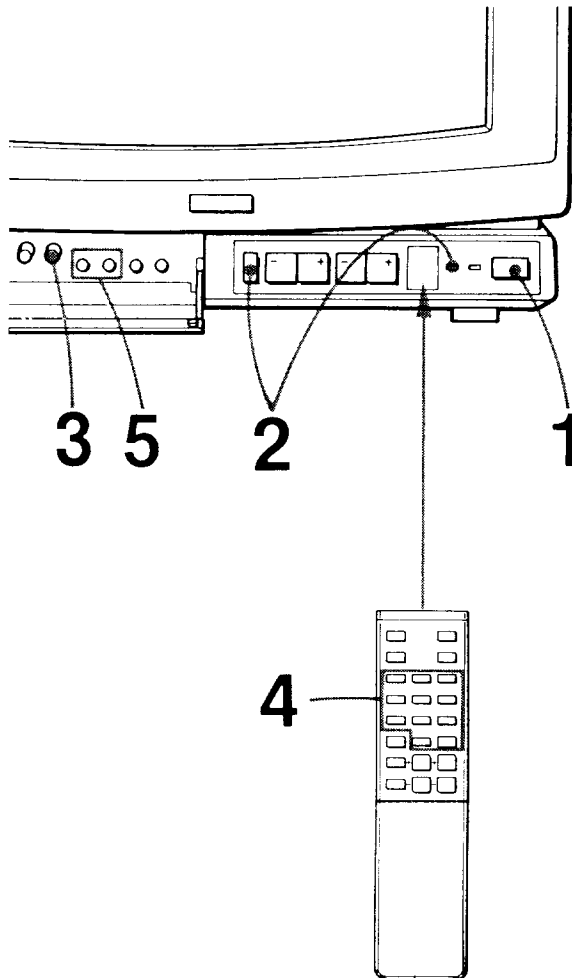
Check with your local cable TV company for more complete information on the available channels.

\* The designation of the cable TV channels conforms to the EIA/NCTA recommendation.

# CHANNEL PRESETTING

Receivable channels of your set are :  
 VHF: 2-13 UHF: 14-69 CATV: 1-125

By adding and erasing channels, you can preset your TV so that only the desired channels appear in sequence when the CH "+" or "-" is pressed.



**1**

POWER  
Press **POWER**

**2**

VIDEO  
Make sure that **VIDEO** indication lamp (yellow) is off.  
If not, press **TV/VIDEO** button to turn it off.

**3**

ON OFF  
CABLE  
Set properly according to the channels to be added or erased.  
For CATV channels, set to **ON**.  
For VHF/UHF channels, set to **OFF**.

**4**

Press the number(s) of the channel to be added or erased then press **ENTER**.

Channel number  
**16**

If necessary, press **DISPLAY** to check the channel number.

**5**

ERASE

[ERASING CHANNELS]

Press **ERASE**.  
A "-" indication will appear.

**-16**

ADD

[ADDING CHANNELS]

Press **ADD**.  
A "+" indication will appear.

**+16**

When **CH +/-** are pressed, you will see that only the added channels will appear in sequence while the erased channels will be skipped over.

Repeat steps 3 through 5 for other channels.

To add erased channels again, follow the steps for **ADDING CHANNELS**.

**Note**

You cannot erase a VHF or UHF channel from the memory and retain the cable TV channel which has the same number, or vice versa. If either a VHF/UHF channel or a cable TV channel with the same number is to be kept in the memory, do not erase the number.

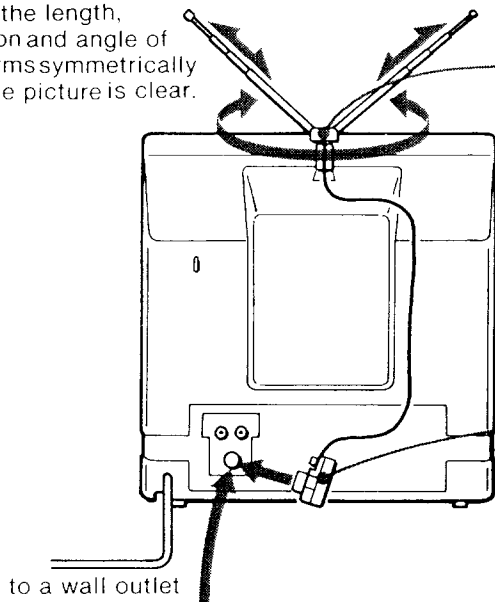
*Add "04" Enter & Add.*

# ANTENNA/CABLE CONNECTION

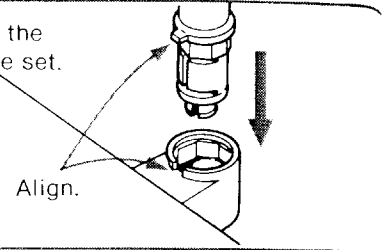
## INDOOR ANTENNA CONNECTION

For VHF/UHF reception, use the supplied dipole telescopic antenna.

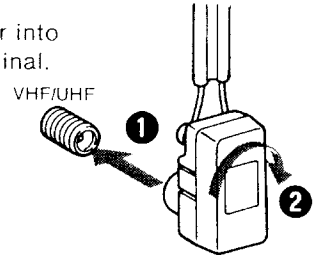
Adjust the length, direction and angle of both arms symmetrically until the picture is clear.



**1** Insert the projection into the antenna receptacle on the set.



**2** Plug the antenna connector into the VHF/UHF antenna terminal.



## OUTDOOR ANTENNA/CABLE CONNECTION

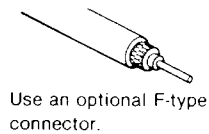
If you cannot obtain satisfactory reception with the dipole antenna using an outdoor antenna may be necessary. Cable TV reception is only possible by connecting a cable supplied by your local cable operator.

- 1 Remove the indoor antenna from the antenna terminal of the TV.
- 2 Prepare the antenna or cable end using the appropriate connector, and connect the antenna or cable to the antenna terminal of the TV. (See A or B below.)

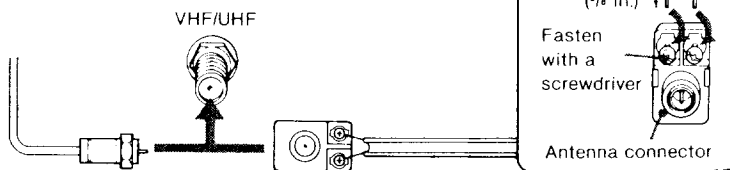
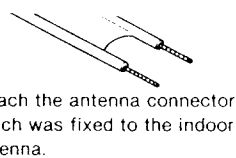
### A Combination VHF/UHF antenna,\* VHF antenna, UHF antenna or CATV cable

Select the proper connector according to the cable type.

When the cable is a 75-ohm coaxial type (round)



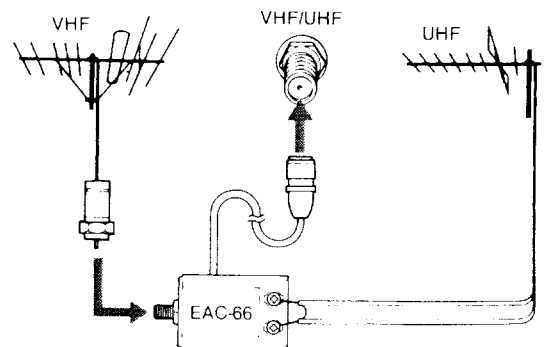
When the cable is a 300-ohm ribbon type lead-in (flat)



\*Most combination antennas are equipped with a signal splitter. Take off the splitter and attach the proper connector.

### B When both VHF and UHF antennas are connected

Prepare the VHF antenna end using the appropriate connector as illustrated in A. Attach an optional EAC-66 U/V mixer to the TV antenna terminal, and connect the cables to the U/V mixer.



### Note to CATV system installer in the U.S.A:

This reminder is provided to call the CATV system installer's attention to Article 820-22 of the NEC that provides guidelines for proper grounding and, in particular, specifies that the cable ground shall be connected to the grounding system of the building, as close to the point of cable entry as practical.

When the cable is connected to the TV with the U/V mixer, snow and noise may appear in the pictures of the cable TV channels over 37 (W + 1).

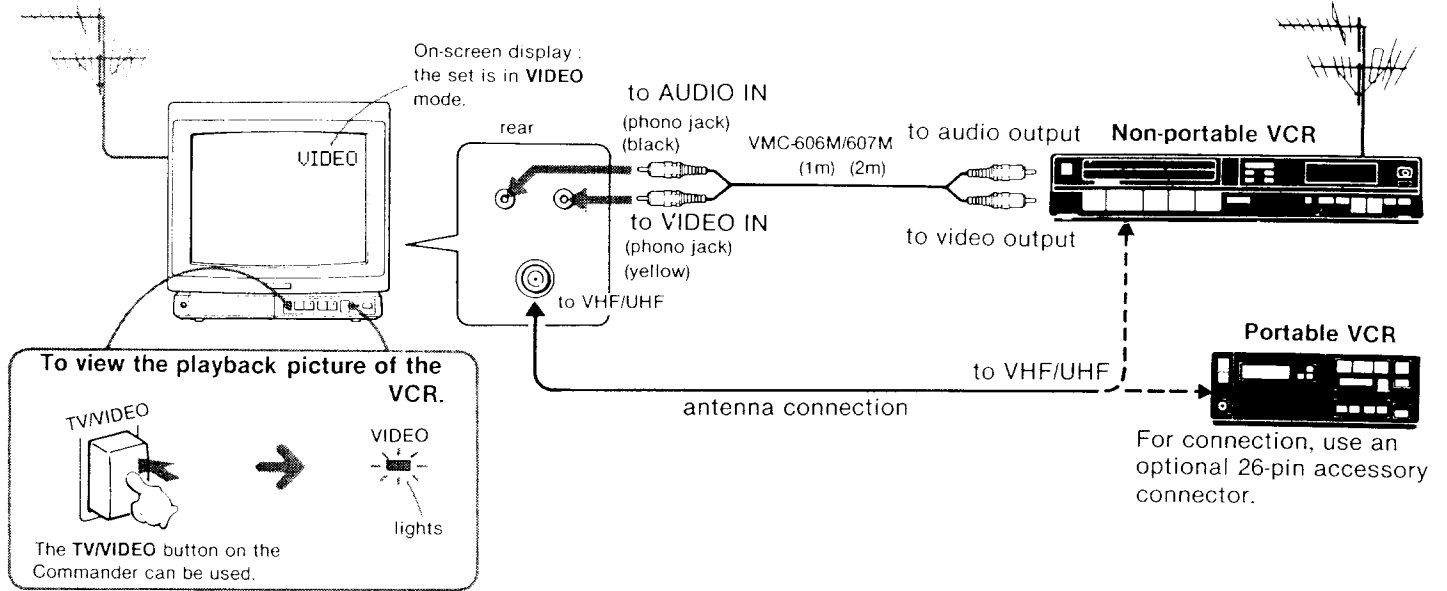
# AUDIO AND VIDEO INPUT JACKS

You can view the picture generated by equipment connected to the AUDIO IN and VIDEO IN jacks by simply pressing the TV/VIDEO button.

We recommend using the **AUDIO IN** and **VIDEO IN** jacks to view VCR programs in better picture quality.

## Connection of a VCR

For portable VCR connection, connect the external antenna directly to the TV.



## NOTES ON CONNECTIONS

- Before connecting, make sure that the power to each piece of equipment is turned off.
- For details on connections, refer to the instruction manuals of the equipment to be connected.
- The plugs should be fully inserted into the jacks. A loose connection may cause hum and noise.
- Match the colors of the plugs to that of the jacks.
- Move the VCR away from the TV if the display or sound is affected by the magnets in the TV.

## SPECIFICATIONS

Television system	American TV standards
Channel coverage	VHF channels 2 13 UHF channels 14 69 Cable TV channels 1 125
Picture tube	Trinitron tube <b>13-inch picture measured diagonally</b> 14-inch picture tube measured diagonally 90-degree deflection
Inputs video	1V p-p, 75 ohms unbalanced, sync. negative
audio	408 mV rms (100% modulation, 47 kilohms)
Power requirements	120 V AC, 60 Hz
Power consumption	97 W
Accessories supplied	Earphone (1) VHF/UHF telescopic dipole antenna AN-18 (1) Antenna connector (1) Remote Commander RM-729 (1) with 2 size AA batteries
Optional accessories	U/V mixer EAC-66 Connecting cables VMC-606M/607M etc.

Design and specifications are subject to change without notice.