

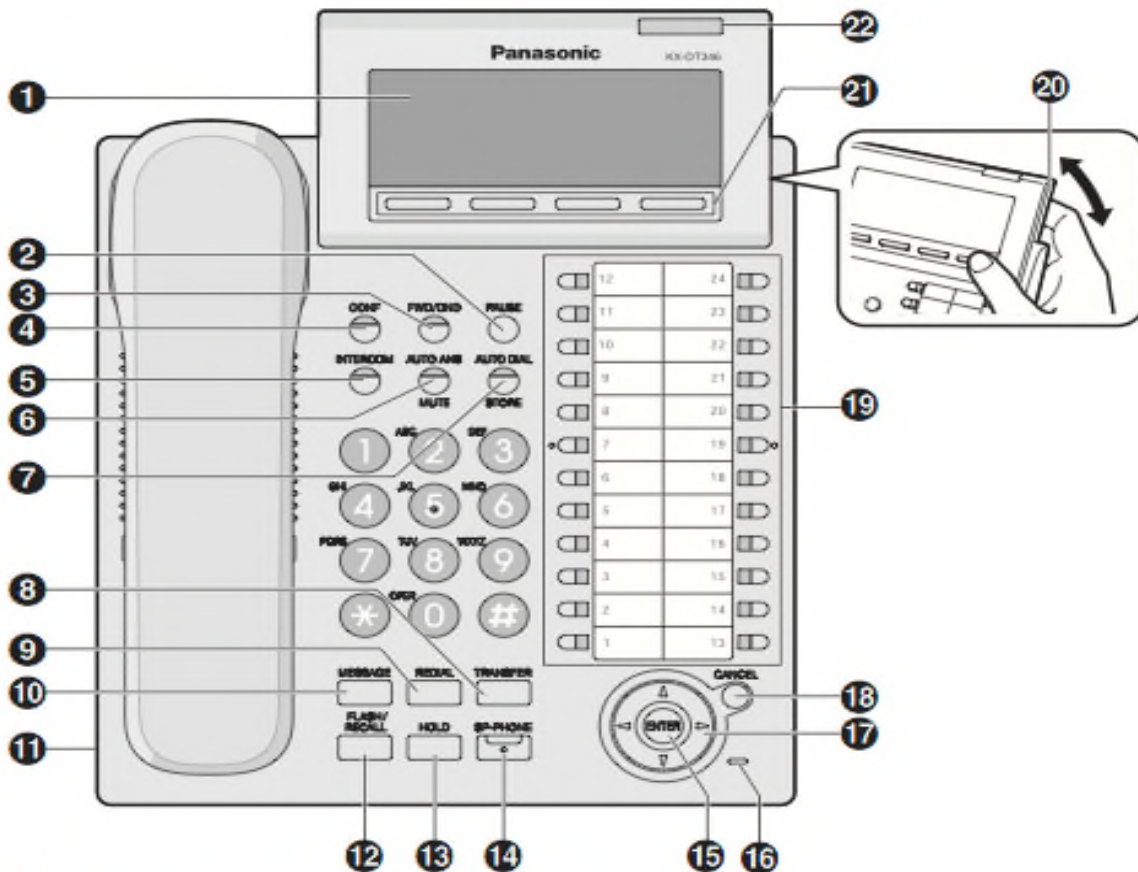


**Panasonic KX-DT333 / KX-DT343 /
KX-DT346 User Guide**





Location of Controls



<KX-DT346>

- 1 LCD (Liquid Crystal Display)**
- 2 PAUSE:** Used to insert a pause when storing a telephone number. This button is also used for programming this unit.
- 3 FWD/DND (Call Forwarding/ Do Not Disturb):** Used to set Call Forwarding or Do Not Disturb on your extension.
- 4 CONF (Conference):** Used to establish a multiple party conversation.
- 5 INTERCOM:** Used to make or receive intercom calls.
- 6 AUTO ANS (Auto Answer)/ MUTE:** Used to receive an incoming call in hands-free mode or mute the microphone/handset during a conversation.
- 7 AUTO DIAL/STORE:** Used for System/Personal Speed Dialing or storing program changes.


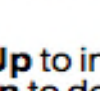
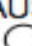



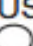


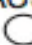



Location of Controls

- ⑧ **TRANSFER:** Used to transfer a call to another party.
- ⑨ **REDIAL:** Used to redial the last dialed number.
- ⑩ **MESSAGE:** Used to leave a message waiting indication or call back the party who left the message waiting indication.
- ⑪ **Headset Jack**
- ⑫ **FLASH/RECALL:** Used to disconnect the current call and make another call without hanging up.
- ⑬ **HOLD:** Used to place a call on hold.
- ⑭ **SP-PHONE (Speakerphone):** Used for performing hands-free operations.
- ⑮ **ENTER:** Used to assign the selected item.
- ⑯ **Microphone:** Used for hands-free conversations.
- ⑰ **Navigator Key:** Used to adjust the volume and the display contrast or select desired items.
- ⑱ **CANCEL:** Used to cancel the selected item.
- ⑲ **Flexible Buttons:** Used to seize a CO line or perform a feature that has been assigned to the key.
- ⑳ **LCD Panel:** Can be adjusted to the desired angle.
- ㉑ **Soft Buttons (S1-S4):** S1-S4 (located from left to right) are used to select the item displayed on the bottom line of the display.
- ㉒ **Message/Ringer Lamp:** When you receive an intercom call, the lamp flashes green, and on an outside call, the lamp flashes red. When someone has left you a message, the lamp stays on red.



Settings

Speaker volume	<i>While in a hands-free conversation</i>	  Press Up to increase or Down to decrease the volume.
Handset/Headset volume*¹	<i>While using the handset or headset</i>	
Ringer volume	<i>While on-hook or receiving a call</i>	
LCD Contrast	<i>While on-hook</i> PAUSE  ► (0) (1) ►  ►  ►  ► PAUSE 	
Ring Tone	PAUSE  ► $\left(\begin{array}{c} \text{CO} \\ \text{OR} \\ \text{INTERCOM} \end{array} \right)$ ► $\left(\begin{array}{cc} 0 & 1 \\ 3 & 0 \end{array} \right)$ ► $\left(\begin{array}{c} \text{Up arrow} \\ \text{OR} \\ \text{AUTO DIAL} \\ \text{STORE} \end{array} \right)$ ► PAUSE  <p style="text-align: center;">Press 2 times.</p>	
LCD Backlight*²	<i>While on-hook</i> PAUSE  ► (0) (4) ► $\left(\begin{array}{c} \text{Up arrow} \\ \text{OR} \\ \text{AUTO DIAL} \\ \text{STORE} \end{array} \right)$ ► $\left(\begin{array}{l} 0 \text{ Automatic} \\ 1 \text{ Always ON} \\ 2 \text{ Always OFF} \end{array} \right)$ ► $\left(\begin{array}{c} \text{Up arrow} \\ \text{OR} \\ \text{AUTO DIAL} \\ \text{STORE} \end{array} \right)$ ► PAUSE 	

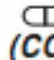




*¹ If you hear your own voice through the handset or headset, decrease the volume.

*² For KX-DT343/KX-DT346 only.




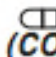


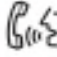




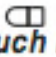







Features List

Icon Meanings

 = Flexible button
  = Off-hook
  = On-hook
 ○ = Feature number
  = Talk
 C. Tone  = Confirmation Tone

Making Calls

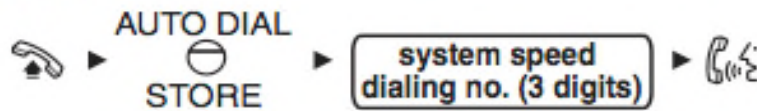
Calling	
To an extension  ► extension no. ► 	To an outside party  ►  ► outside phone no. ► 
Redial	
 ► REDIAL ► ► 	
Quick Dialing	
 ► quick dialing no. ► 	
One-touch Dialing	
To store PAUSE ○ ►  ► ② ► desired no.* (max. 32 digits) ► AUTO DIAL ○ ► PAUSE ○ <small>* Enter CO line access number before outside phone number.</small>	
To dial  ► (One-touch Dialing)  assigned as a One-touch Dialing button ► 	
Personal Speed Dialing	
To store  ► * 3 0 ► personal speed dialing no. (2 digits) ► desired phone no.* (max. 32 digits) ► # C. Tone  <small>* Enter CO line access number before outside phone number.</small>	
To dial  ► AUTO DIAL ○ ► * ► personal speed dialing no. (2 digits) ► 	



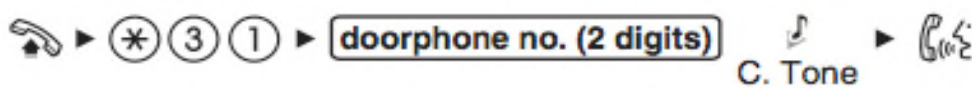
Features List

System Speed Dialing

To dial



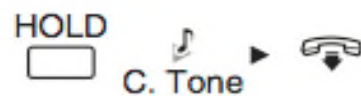
Doorphone Call



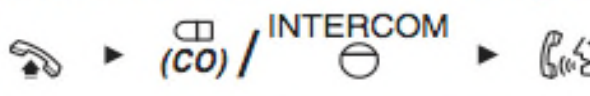
During a Conversation

Call Hold

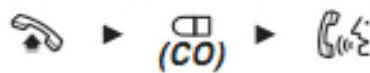
To hold



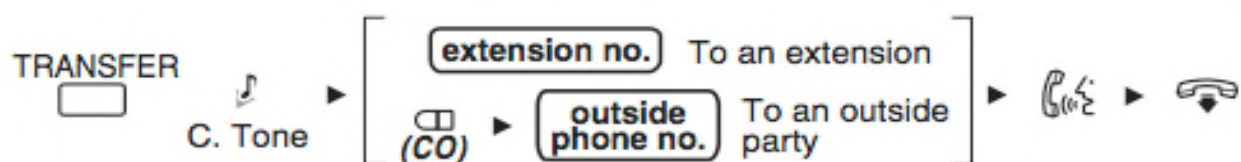
To retrieve a call at the holding extension



To retrieve an outside call from another extension



Call Transfer



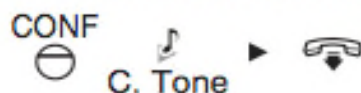
Useful Features

Multiple Party Conversation

To add other parties during a conversation (i.e., conference)



To leave a conference

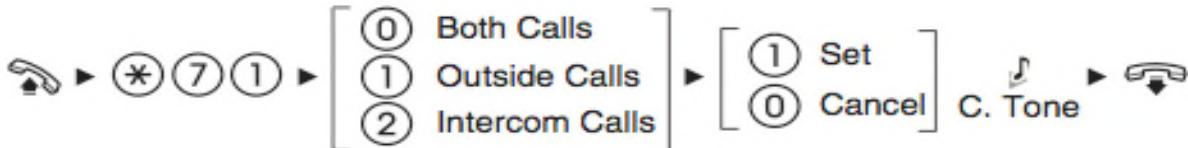




Features List

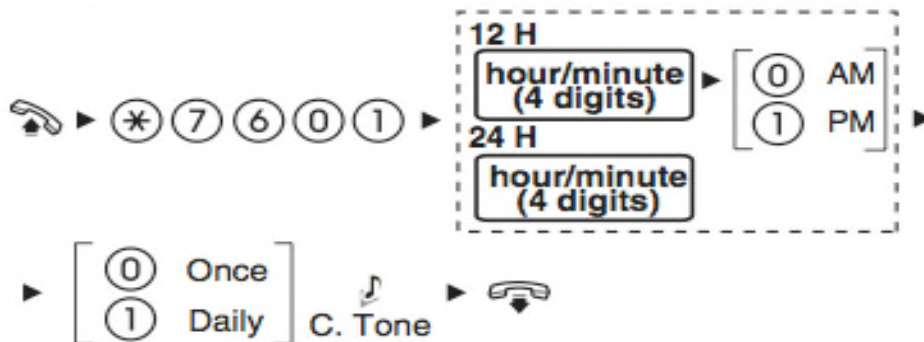
Setting the Telephone According to Your Needs

Do Not Disturb



Timed Reminder

To set



To cancel

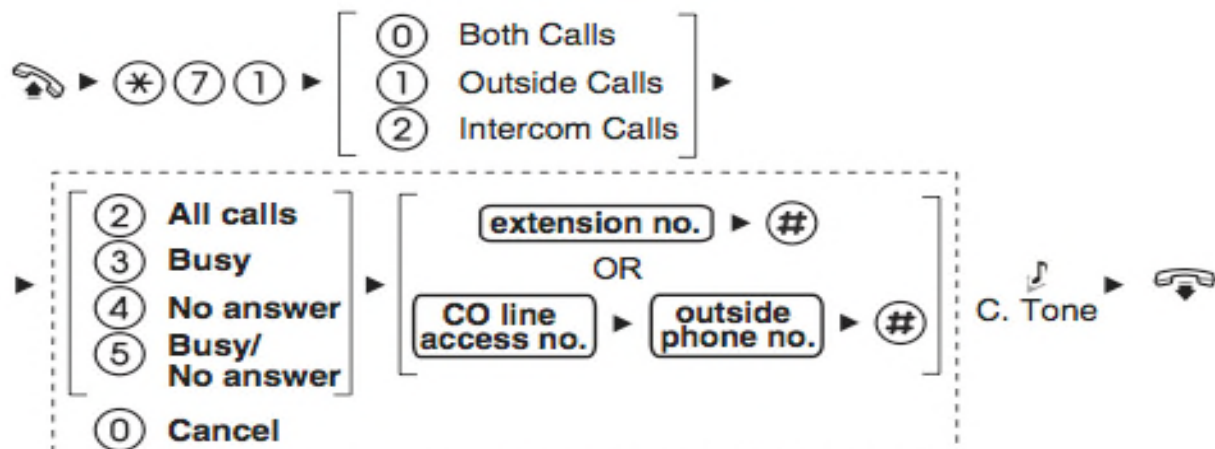


To stop or answer the ring back



Before Leaving Your Desk

Call Forwarding





Features List

Making Use of the Voice Mail Service

Listening to a message	
<p>From your own extension</p> <p>☎ ▶ VPS extension no. ▶ ▶ Mailbox Password* (#)</p> <p>* If you have no password, you can skip the last step. Note: VPS = Voice Processing System</p>	<p>KX-TVA series</p> <ul style="list-style-type: none"> ① Listen to Message ② Deliver Message ③ Mailbox Management ▶ ④ Automated Attendant ⑤ Message Notification ⑥ Other Features ⌘ End Call
<p>From someone else's extension</p> <p>☎ ▶ VPS extension no. ▶ ▶ (#) ⑥ ▶ ⌘ ▶ ▶ mailbox no. ▶ ▶ Mailbox Password* (#)</p> <p>* If you have no password, you can skip the last step.</p>	<p>KX-TVS series</p> <ul style="list-style-type: none"> ① Listen to Message ② Deliver Message ③ Check Mailbox Distribution ▶ ④ Automated Attendant ⑤ Mailbox Management ⑥ Other Features ⌘ End Call
Leaving a message	
<p>☎ ▶ VPS extension no. ▶</p> <div style="border: 1px solid black; padding: 5px; margin: 5px 0;"> <p>From your own extension Mailbox Password* (#)</p> <p>From someone else's extension # ⑥ ▶ ⌘ ▶ mailbox no. ▶ Mailbox Password* (#)</p> <p>* If you have no password, you can skip the last step.</p> </div> <p>▶ ② ▶ Enter the desired mailbox number ▶ ② ① ▶ Leave a message ▶ ① ② ▶</p> <div style="border: 1px solid black; padding: 5px; margin: 5px 0;"> <p>To send the message immediately ① ② (KX-TVA series) ② (KX-TVS series)</p> <p>To set the delivery time ① ①</p> </div> <p style="text-align: right;">▶ Follow the guidance</p>	



Features List

During playback

- ① Repeat Voice Guidance
- * Exit

- Consult your dealer for more details regarding feature numbers.
- It is possible to assign flexible buttons as feature buttons.
- Control panel/button names and descriptions can be found in "Location of Controls" on page 3.

Accessing Features Using the Display

Using the LCD Display

It is possible to access the following directories, logs, and menus by pressing left or right on the Navigator Key while this unit is idle:

- Incoming Call Log**
- Outgoing Call Log**
- Personal Speed Dialing Directory**
- System Speed Dialing Directory**
- Extension Number Directory**
- Feature Access**

Entering Characters

You can enter alphabetic characters and digits using the dialing buttons. Pressing a dialing button repeatedly displays different characters, as shown in the following tables. While entering characters, you can move the cursor with the left and right Navigator keys and delete characters with the TRANSFER button. To toggle between Table 1 and Table 2, press the Soft button (S1) at any time while entering characters. For a list of available characters, refer to the next page.



Accessing Features Using the Display

Table 1 (Standard mode)

Times Buttons	1	2	3	4	5	6	7	8	9
①	!	?	"	1					
②	A	B	C	a	b	c	2		
③	D	E	F	d	e	f	3		
④	G	H	I	g	h	i	4		
⑤	J	K	L	j	k	l	5		
⑥	M	N	O	m	n	o	6		
⑦	P	Q	R	S	p	q	r	s	7
⑧	T	U	V	t	u	v	8		
⑨	W	X	Y	Z	w	x	y	z	9
⑩	(space)	.	,	'	:	;	0		
* ⑩	/	+	-	=	<	>	*		
# ⑩	\$	%	&	@	()	€	£	#

Table 2 (Option mode)

Times Buttons	1	2	3	4	5	6	7	8	9	10	11	12	13	14	15
①	!	?	"	ä	ö	ü	1								
②	A	B	C	a	b	c	À	Á	Â	Ã	Ä	Å	Æ	Ç	2
③	D	E	F	d	e	f	Ð	È	É	Ê	Ë	3			
④	G	H	I	g	h	i	Ì	Í	Î	Ï	4				
⑤	J	K	L	j	k	l	5								
⑥	M	N	O	m	n	o	Ñ	Ò	Ó	Ô	Õ	Ö	Ø	Œ	6
⑦	P	Q	R	S	p	q	r	s	Š	ß	7				
⑧	T	U	V	t	u	v	Ù	Ú	Û	Ü	8				
⑨	W	X	Y	Z	w	x	y	z	Ý	Ž	9				
⑩	(space)	.	,	'	:	;	0								
* ⑩	/	+	-	=	<	>	*								
# ⑩	\$	%	&	@	()	€	£	#						