

# Panasonic

Proprietary Telephones

## *Quick Reference Guide*

**KX-T7720/KX-T7730**

**KX-T7731/KX-T7735**

**Model KX-T7736/KX-T7750**

### ***Important Information***

---

#### **When you ship the product:**

Carefully pack and send it prepaid, adequately insured and preferably in the original carton. Attach a postage-paid letter, detailing the symptom to the outside of the carton. DO NOT send the product to the Executive or Regional Sales offices. They are NOT equipped to make repairs.

#### **Product service:**

Panasonic Servicenters for this product are listed in the servicenter directory. Consult your authorized Panasonic dealer for detailed instructions.

#### **WARNING:**

TO PREVENT THE RISK OF FIRE OR ELECTRIC SHOCK, DO NOT EXPOSE THIS PRODUCT TO RAIN OR ANY TYPE OF MOISTURE.

THIS HANDSET EARPIECE IS MAGNETIZED AND MAY RETAIN SMALL FERROUS OBJECTS.

#### **IMPORTANT NOTICE:**

Under power failure conditions, this telephone may not operate. Please ensure that a separate telephone, not dependent on local power, is available for use in an emergency.

#### **Note:**

In this manual, the suffix of each model number is omitted.

#### **Included Accessories: for extra orders, call toll free 1-800-332-5368**

- |   |                            |
|---|----------------------------|
| • Handset . . . . . 1                                 | • Handset Cord . . . . . 1 |
| • Telephone Line Cord . . . . . 1                     | • Stand . . . . . 1        |
| • Overlay . . . . . 1 (Other than KX-T7720, KX-T7750) |                            |

#### **For your future reference**

SERIAL NO. \_\_\_\_\_ DATE OF PURCHASE \_\_\_\_\_  
(found on the bottom of the unit)

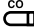


NAME OF DEALER \_\_\_\_\_

DEALER'S ADDRESS \_\_\_\_\_


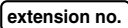
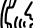

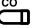






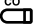
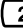


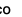



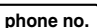



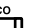



DEALER'S TEL. NO. \_\_\_\_\_

**Please read this manual before using and save for future reference.**














# Features List

 Outside (CO) Line button     Programmable Feature button     Feature number

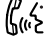
















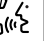
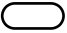
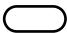







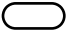
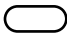






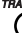





 Off-hook     On-hook     Talk    \* "Location of Controls" is shown on page 8.

Desired Feature	Operation
<b>Making Calls</b>	
Calling	<p><b>To an extension</b>     ► <input data-bbox="396 389 524 416" type="text" value="extension no."/> ► </p> <p><b>To an external party</b>     ►  ► <input data-bbox="833 389 930 416" type="text" value="phone no."/> ► </p>
Redial	<p> ►  ► </p>
One-Touch Dialing	<p><b>To program</b></p> <p><small>PROGRAM</small>  ► <input data-bbox="418 544 452 560" type="text" value="CO"/> <input data-bbox="463 544 486 560" type="text" value="2"/> /  <input data-bbox="807 544 818 560" type="checkbox"/> KX-TA624</p> <p><input data-bbox="418 580 452 596" type="text" value="9"/> <input data-bbox="463 580 497 596" type="text" value="9"/> ►  /  ► <input data-bbox="732 580 754 596" type="text" value="2"/> <input data-bbox="807 580 818 596" type="checkbox"/> KX-TA1232</p> <p>(Check the type of your Main Unit.)</p> <p>► <input data-bbox="329 676 426 703" type="text" value="phone no."/> ►  </p>
	<p><b>To dial</b></p> <p> ►  /  – assigned as a One-Touch Dialing button ► </p>
Calling an operator	<p> ► <input data-bbox="385 852 407 868" type="text" value="0"/> ► </p>
Speed Dialing (Personal)	<p><b>To set</b></p> <p> ► <input data-bbox="396 948 418 963" type="text" value="2"/> <input data-bbox="452 948 474 963" type="text" value="*"/> <input data-bbox="493 948 505 963" type="checkbox"/> KX-TA624</p> <p><input data-bbox="396 979 418 995" type="text" value="3"/> <input data-bbox="452 979 474 995" type="text" value="0"/> <input data-bbox="493 979 505 995" type="checkbox"/> KX-TA1232</p> <p>(Check the type of your Main Unit.)</p> <p>► <input data-bbox="318 1059 415 1086" type="text" value="desired no."/> ► <input data-bbox="463 1059 486 1075" type="text" value="#"/> ► </p>
	<p><b>To dial</b></p> <p> ► <input data-bbox="407 1155 430 1171" type="text" value="#"/> <input data-bbox="505 1155 516 1171" type="checkbox"/> KX-TA624</p> <p><input data-bbox="385 1187 407 1203" type="text" value="3"/> <input data-bbox="452 1187 474 1203" type="text" value="*"/> <input data-bbox="505 1187 516 1203" type="checkbox"/> KX-TA1232</p> <p>(Check the type of your Main Unit.)</p> <p>► <input data-bbox="721 1171 930 1198" type="text" value="personal speed dial no."/> ► </p>
Speed Dialing (System)	<p><b>To dial</b></p> <p> ►  ► <input data-bbox="486 1299 680 1326" type="text" value="system speed dial no."/> ► </p>


# Features List

Desired Feature	Operation	
<b>Receiving Calls</b>		
Handsfree answerback (Other than KX-T7750)	<i>While on-hook</i> 	
Picking up a call	<div style="border: 1px dashed black; padding: 10px;"> <p><b>Outside (CO) Line (KX-TA1232 only)</b></p> <p><input type="checkbox"/> 4 * <input type="checkbox"/></p> <p><b>Directed</b></p> <p> <input type="checkbox"/> 4 <input type="checkbox"/> extension no. <input type="checkbox"/> KX-TA624  <input type="checkbox"/> 4 1 <input type="checkbox"/> extension no. <input type="checkbox"/> KX-TA1232         </p> <p>(Check the type of your Main Unit.)</p> <p><b>Group</b></p> <p><input type="checkbox"/> 4 <input type="checkbox"/> 0 <input type="checkbox"/></p> </div>  → 	
<b>When the Dialed Extension is Busy/No Answer</b>		
Automatic Callback Busy	<p><b>To set</b> <i>While hearing a busy tone</i></p> <p><input type="checkbox"/> 6 <input type="checkbox"/> </p> <p><b>To call</b> <i>If you hear callback ringing</i></p> <p></p>	
Message Waiting	Sender	<p><b>To leave a notification</b></p> <p> <input type="checkbox"/> </p> <hr/> <p><b>To cancel a notification</b></p> <p> <input type="checkbox"/> KX-TA624  <input type="checkbox"/> receiver's extension no. <input type="checkbox"/> MESSAGE <input type="checkbox"/> MESSAGE         </p> <p> <input type="checkbox"/> KX-TA1232  <input type="checkbox"/> 7 0 0 <input type="checkbox"/> receiver's extension no.         </p> <p>(Check the type of your Main Unit.)</p>  → 
	Receiver	<p><b>To call back</b></p> <p> <input type="checkbox"/> MESSAGE <input type="checkbox"/> </p> <hr/> <p><b>To clear all notifications</b></p> <p> <input type="checkbox"/> 7 0 0 <input type="checkbox"/></p> <p> <input type="checkbox"/> # <input type="checkbox"/> KX-TA624  <input type="checkbox"/> your extension no. <input type="checkbox"/> KX-TA1232         </p> <p>(Check the type of your Main Unit.)</p> 

# Features List

Desired Feature	Operation				
<b>When the Dialed Extension is Busy/No Answer</b>					
Call Waiting	Sender	<p>While hearing a busy tone</p> <p><b>1</b> ▶ Wait for an answer. ▶ </p>			
	Receiver	<div style="border: 1px dashed black; padding: 10px; margin: 10px auto; width: 80%;"> <p><input type="checkbox"/> KX-TA624</p> <p><b>For outside calls</b></p> <p><b>7 3 1 1 #</b> Set</p> <p><b>7 3 1 0 #</b> Cancel</p> <p><b>For intercom calls</b></p> <p><b>7 3 2 1 #</b> Set</p> <p><b>7 3 2 0 #</b> Cancel</p> <p><input type="checkbox"/> KX-TA1232</p> <p><b>7 3 1 1</b> Set</p> <p><b>7 3 1 0</b> Cancel</p> <p>(Check the type of your Main Unit.)</p> </div> <p style="text-align: right;">▶ </p> <hr style="border-top: 1px dashed black;"/> <p><b>To talk to the new party</b> While hearing the Call Waiting tone</p> <table border="0" style="width: 100%;"> <tr> <td style="text-align: center; width: 50%;"><b>Terminating a current status</b></td> <td style="text-align: center; width: 50%;"><b>Holding a current status</b></td> </tr> <tr> <td style="text-align: center;">  /  ▶  </td> <td style="text-align: center;">  ▶  /  ▶  </td> </tr> </table>	<b>Terminating a current status</b>	<b>Holding a current status</b>	 /  ▶ 
<b>Terminating a current status</b>	<b>Holding a current status</b>				
 /  ▶ 	 ▶  /  ▶ 				
<b>During a Conversation</b>					
Holding a call	<p><b>Holding</b></p> <p> ▶ </p> <p><b>To retrieve a call at the holding extension</b></p> <p> ▶  /  ▶ </p>				
	<p><b>To retrieve an outside call from another extension</b></p> <p> ▶  ▶ </p>				
Holding a call exclusively	<p><b>Holding</b></p> <p> ▶  ▶ </p> <p><b>To retrieve a call on exclusive hold</b></p> <p> ▶  /  ▶ </p>				
Transferring a call	<p><b>Screened</b></p> <p> ▶ <span style="border: 1px solid black; padding: 2px 10px;">extension no.</span> To an extension</p> <p> <span style="border: 1px solid black; padding: 2px 10px;">phone no.</span> To an external party (System programming is required.)</p> <p>▶ Wait for an answer. ▶  ▶  Announce.</p> <hr style="border-top: 1px dashed black;"/> <p><b>Unscreened to an extension</b></p> <p> ▶ <span style="border: 1px solid black; padding: 2px 10px;">extension no.</span> ▶ </p>				

# Features List

Desired Feature	Operation
<b>Useful Features</b>	
Paging	<p><b>To page</b></p> <p>All extensions  <input type="text" value="3"/> <input type="text" value="3"/> <input type="text" value="0"/></p> <p>Group  <input type="text" value="3"/> <input type="text" value="3"/> ▶ <input type="text" value="group no."/></p> <p><input type="checkbox"/> KX-TA624</p> <p>All external speakers  <input type="text" value="3"/> <input type="text" value="4"/></p> <p>All extensions &amp; external speakers  <input type="text" value="3"/> <input type="text" value="3"/> <input type="text" value="*"/></p> <p><input type="checkbox"/> KX-TA1232</p> <p>All external speakers  <input type="text" value="3"/> <input type="text" value="2"/> <input type="text" value="0"/></p> <p>Specific external speaker  <input type="text" value="3"/> <input type="text" value="2"/> ▶ <input type="text" value="external speaker no."/></p> <p>All extensions &amp; external speakers  <input type="text" value="3"/> <input type="text" value="3"/> <input type="text" value="*"/></p> <p>(Check the type of your Main Unit.)</p> <p><b>To answer an announced page</b></p> <p>From a telephone speaker  <input type="text" value="4"/> <input type="text" value="3"/></p> <p>From an external speaker  <input type="text" value="4"/> <input type="text" value="3"/> <input type="checkbox"/> KX-TA624  <input type="text" value="4"/> <input type="text" value="2"/> ▶ <input type="text" value="external speaker no."/> <input type="checkbox"/> KX-TA1232</p> <p>(Check the type of your Main Unit.)</p>
Three-party conference	<p><input type="checkbox"/> CONF <input type="text" value="3"/> <input type="text" value="0"/> ▶ <input type="text" value="third party's no."/> ▶  ▶ <input type="checkbox"/> CONF <input type="text" value="3"/> <input type="text" value="0"/></p>
Setting Absent Message	<p><b>To set</b></p> <p><input type="checkbox"/> KX-TA624  <input type="text" value="7"/> <input type="text" value="5"/> ▶ <input type="text" value="message no."/> ▶ <input type="text" value="parameter (if required)"/> ▶ <input type="text" value="#"/></p> <p><input type="checkbox"/> KX-TA1232  <input type="text" value="7"/> <input type="text" value="5"/> <input type="text" value="0"/> ▶ <input type="text" value="message no."/> ▶ <input type="text" value="parameter (if required)"/></p> <p>(Check the type of your Main Unit.)</p> <p><b>To cancel</b></p> <p><input type="text" value="7"/> <input type="text" value="5"/> <input type="text" value="0"/> <input type="text" value="#"/> <input type="checkbox"/> KX-TA624  <input type="text" value="7"/> <input type="text" value="5"/> <input type="text" value="0"/> <input type="text" value="0"/> <input type="checkbox"/> KX-TA1232</p> <p>(Check the type of your Main Unit.)</p>

# Features List

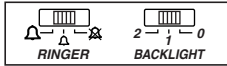
Desired Feature	Operation																																																																																																																																																																								
<b>Useful Features</b>																																																																																																																																																																									
Log-In/Log-Out	<div style="border: 1px dashed black; padding: 10px;"> <input type="checkbox"/> KX-TA624  <table style="width: 100%; border-collapse: collapse;"> <tr> <td style="text-align: center; width: 50px;"><input type="button" value="7"/></td> <td style="text-align: center; width: 50px;"><input type="button" value="3"/></td> <td style="text-align: center; width: 50px;"><input type="button" value="6"/></td> <td style="text-align: center; width: 50px;"><input type="button" value="0"/></td> <td style="text-align: center; width: 50px;"><input type="button" value="#"/></td> <td style="width: 50px;">For Log-In</td> </tr> <tr> <td style="text-align: center;"><input type="button" value="7"/></td> <td style="text-align: center;"><input type="button" value="3"/></td> <td style="text-align: center;"><input type="button" value="6"/></td> <td style="text-align: center;"><input type="button" value="1"/></td> <td style="text-align: center;"><input type="button" value="#"/></td> <td>For Log-Out</td> </tr> </table>   <input type="checkbox"/> KX-TA1232  <table style="width: 100%; border-collapse: collapse;"> <tr> <td style="text-align: center; width: 50px;"><input type="button" value="4"/></td> <td style="text-align: center; width: 50px;"><input type="button" value="5"/></td> <td style="text-align: center; width: 50px;"><input type="button" value="1"/></td> <td style="width: 50px;">For Log-In</td> </tr> <tr> <td style="text-align: center;"><input type="button" value="4"/></td> <td style="text-align: center;"><input type="button" value="5"/></td> <td style="text-align: center;"><input type="button" value="0"/></td> <td>For Log-Out</td> </tr> </table> <p style="font-size: small;">(Check the type of your Main Unit.)</p> </div>	<input type="button" value="7"/>	<input type="button" value="3"/>	<input type="button" value="6"/>	<input type="button" value="0"/>	<input type="button" value="#"/>	For Log-In	<input type="button" value="7"/>	<input type="button" value="3"/>	<input type="button" value="6"/>	<input type="button" value="1"/>	<input type="button" value="#"/>	For Log-Out	<input type="button" value="4"/>	<input type="button" value="5"/>	<input type="button" value="1"/>	For Log-In	<input type="button" value="4"/>	<input type="button" value="5"/>	<input type="button" value="0"/>	For Log-Out																																																																																																																																																				
<input type="button" value="7"/>	<input type="button" value="3"/>	<input type="button" value="6"/>	<input type="button" value="0"/>	<input type="button" value="#"/>	For Log-In																																																																																																																																																																				
<input type="button" value="7"/>	<input type="button" value="3"/>	<input type="button" value="6"/>	<input type="button" value="1"/>	<input type="button" value="#"/>	For Log-Out																																																																																																																																																																				
<input type="button" value="4"/>	<input type="button" value="5"/>	<input type="button" value="1"/>	For Log-In																																																																																																																																																																						
<input type="button" value="4"/>	<input type="button" value="5"/>	<input type="button" value="0"/>	For Log-Out																																																																																																																																																																						
Forwarding a call	<div style="border: 1px dashed black; padding: 10px;"> <input type="checkbox"/> KX-TA624  <table style="width: 100%; border-collapse: collapse;"> <tr> <td colspan="6"><b>All calls</b></td> </tr> <tr> <td style="text-align: center; width: 50px;"><input type="button" value="1"/></td> <td style="text-align: center; width: 50px;">▶</td> <td style="text-align: center; width: 150px;">extension no.</td> <td style="text-align: center; width: 50px;">▶</td> <td style="text-align: center; width: 50px;"><input type="button" value="#"/></td> <td></td> </tr> <tr> <td colspan="6"><b>Busy/No answer</b></td> </tr> <tr> <td style="text-align: center;"><input type="button" value="2"/></td> <td style="text-align: center;">▶</td> <td style="text-align: center;">extension no.</td> <td style="text-align: center;">▶</td> <td style="text-align: center;"><input type="button" value="#"/></td> <td></td> </tr> <tr> <td colspan="6"><b>To an outside line</b></td> </tr> <tr> <td style="text-align: center;"><input type="button" value="3"/></td> <td style="text-align: center;">▶</td> <td style="text-align: center;">line access code</td> <td style="text-align: center;">▶</td> <td style="text-align: center;">phone no.</td> <td style="text-align: center;">▶ <input type="button" value="#"/></td> </tr> <tr> <td colspan="6"><b>Follow Me</b></td> </tr> <tr> <td style="text-align: center;"><input type="button" value="5"/></td> <td style="text-align: center;">▶</td> <td style="text-align: center;">your extension no.</td> <td style="text-align: center;">▶</td> <td style="text-align: center;"><input type="button" value="#"/></td> <td></td> </tr> <tr> <td colspan="6"><b>Cancel Follow Me</b></td> </tr> <tr> <td style="text-align: center;"><input type="button" value="8"/></td> <td style="text-align: center;">▶</td> <td style="text-align: center;">your extension no.</td> <td style="text-align: center;">▶</td> <td style="text-align: center;"><input type="button" value="#"/></td> <td></td> </tr> <tr> <td colspan="6"><b>Cancel</b></td> </tr> <tr> <td style="text-align: center;"><input type="button" value="0"/></td> <td style="text-align: center;">▶</td> <td style="text-align: center;"><input type="button" value="#"/></td> <td colspan="3"></td> </tr> </table>   <input type="checkbox"/> KX-TA1232  <table style="width: 100%; border-collapse: collapse;"> <tr> <td colspan="6"><b>All calls</b></td> </tr> <tr> <td style="text-align: center; width: 50px;"><input type="button" value="2"/></td> <td style="text-align: center; width: 50px;">▶</td> <td style="text-align: center; width: 150px;">extension no.</td> <td colspan="3"></td> </tr> <tr> <td colspan="6"><b>Busy</b></td> </tr> <tr> <td style="text-align: center;"><input type="button" value="3"/></td> <td style="text-align: center;">▶</td> <td style="text-align: center;">extension no.</td> <td colspan="3"></td> </tr> <tr> <td colspan="6"><b>No answer</b></td> </tr> <tr> <td style="text-align: center;"><input type="button" value="4"/></td> <td style="text-align: center;">▶</td> <td style="text-align: center;">extension no.</td> <td colspan="3"></td> </tr> <tr> <td colspan="6"><b>Busy/No answer</b></td> </tr> <tr> <td style="text-align: center;"><input type="button" value="5"/></td> <td style="text-align: center;">▶</td> <td style="text-align: center;">extension no.</td> <td colspan="3"></td> </tr> <tr> <td colspan="6"><b>To an outside line</b></td> </tr> <tr> <td style="text-align: center;"><input type="button" value="6"/></td> <td style="text-align: center;">▶</td> <td style="text-align: center;">line access code</td> <td style="text-align: center;">▶</td> <td style="text-align: center;">phone no.</td> <td style="text-align: center;">▶ <input type="button" value="#"/></td> </tr> <tr> <td colspan="6"><b>Follow Me</b></td> </tr> <tr> <td style="text-align: center;"><input type="button" value="7"/></td> <td style="text-align: center;">▶</td> <td style="text-align: center;">your extension no.</td> <td colspan="3"></td> </tr> <tr> <td colspan="6"><b>Cancel Follow Me</b></td> </tr> <tr> <td style="text-align: center;"><input type="button" value="8"/></td> <td style="text-align: center;">▶</td> <td style="text-align: center;">your extension no.</td> <td colspan="3"></td> </tr> <tr> <td colspan="6"><b>Cancel</b></td> </tr> <tr> <td style="text-align: center;"><input type="button" value="0"/></td> <td colspan="5"></td> </tr> </table> <p style="font-size: small;">(Check the type of your Main Unit.)</p> </div>	<b>All calls</b>						<input type="button" value="1"/>	▶	extension no.	▶	<input type="button" value="#"/>		<b>Busy/No answer</b>						<input type="button" value="2"/>	▶	extension no.	▶	<input type="button" value="#"/>		<b>To an outside line</b>						<input type="button" value="3"/>	▶	line access code	▶	phone no.	▶ <input type="button" value="#"/>	<b>Follow Me</b>						<input type="button" value="5"/>	▶	your extension no.	▶	<input type="button" value="#"/>		<b>Cancel Follow Me</b>						<input type="button" value="8"/>	▶	your extension no.	▶	<input type="button" value="#"/>		<b>Cancel</b>						<input type="button" value="0"/>	▶	<input type="button" value="#"/>				<b>All calls</b>						<input type="button" value="2"/>	▶	extension no.				<b>Busy</b>						<input type="button" value="3"/>	▶	extension no.				<b>No answer</b>						<input type="button" value="4"/>	▶	extension no.				<b>Busy/No answer</b>						<input type="button" value="5"/>	▶	extension no.				<b>To an outside line</b>						<input type="button" value="6"/>	▶	line access code	▶	phone no.	▶ <input type="button" value="#"/>	<b>Follow Me</b>						<input type="button" value="7"/>	▶	your extension no.				<b>Cancel Follow Me</b>						<input type="button" value="8"/>	▶	your extension no.				<b>Cancel</b>						<input type="button" value="0"/>					
<b>All calls</b>																																																																																																																																																																									
<input type="button" value="1"/>	▶	extension no.	▶	<input type="button" value="#"/>																																																																																																																																																																					
<b>Busy/No answer</b>																																																																																																																																																																									
<input type="button" value="2"/>	▶	extension no.	▶	<input type="button" value="#"/>																																																																																																																																																																					
<b>To an outside line</b>																																																																																																																																																																									
<input type="button" value="3"/>	▶	line access code	▶	phone no.	▶ <input type="button" value="#"/>																																																																																																																																																																				
<b>Follow Me</b>																																																																																																																																																																									
<input type="button" value="5"/>	▶	your extension no.	▶	<input type="button" value="#"/>																																																																																																																																																																					
<b>Cancel Follow Me</b>																																																																																																																																																																									
<input type="button" value="8"/>	▶	your extension no.	▶	<input type="button" value="#"/>																																																																																																																																																																					
<b>Cancel</b>																																																																																																																																																																									
<input type="button" value="0"/>	▶	<input type="button" value="#"/>																																																																																																																																																																							
<b>All calls</b>																																																																																																																																																																									
<input type="button" value="2"/>	▶	extension no.																																																																																																																																																																							
<b>Busy</b>																																																																																																																																																																									
<input type="button" value="3"/>	▶	extension no.																																																																																																																																																																							
<b>No answer</b>																																																																																																																																																																									
<input type="button" value="4"/>	▶	extension no.																																																																																																																																																																							
<b>Busy/No answer</b>																																																																																																																																																																									
<input type="button" value="5"/>	▶	extension no.																																																																																																																																																																							
<b>To an outside line</b>																																																																																																																																																																									
<input type="button" value="6"/>	▶	line access code	▶	phone no.	▶ <input type="button" value="#"/>																																																																																																																																																																				
<b>Follow Me</b>																																																																																																																																																																									
<input type="button" value="7"/>	▶	your extension no.																																																																																																																																																																							
<b>Cancel Follow Me</b>																																																																																																																																																																									
<input type="button" value="8"/>	▶	your extension no.																																																																																																																																																																							
<b>Cancel</b>																																																																																																																																																																									
<input type="button" value="0"/>																																																																																																																																																																									

# Features List

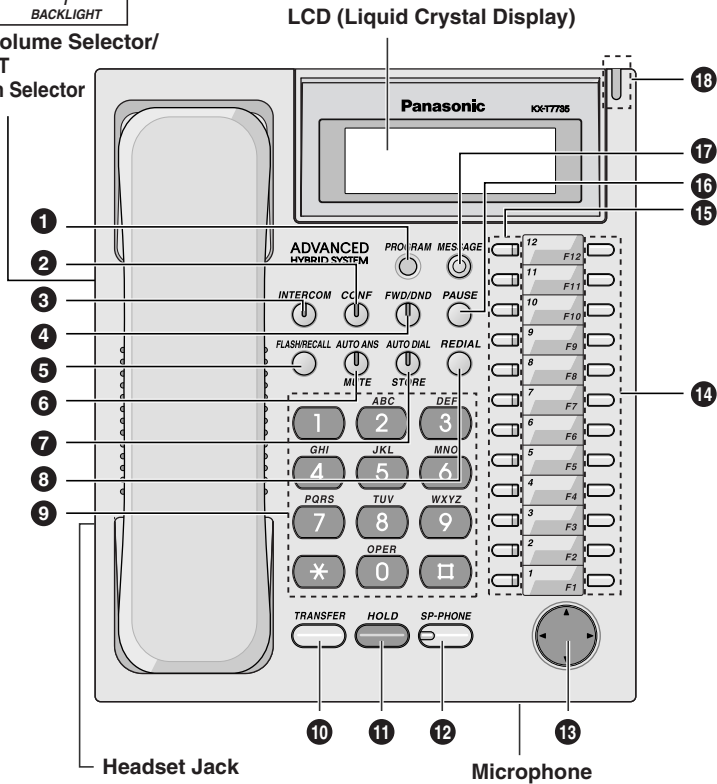
Desired Feature	Operation
<b>Useful Features</b>	
Do Not Disturb (DND)	<p> <input type="checkbox"/> KX-TA624            [ 4 # Set            0 # Cancel ]  <input type="checkbox"/> KX-TA1232            [ 1 Set            0 Cancel ]            (Check the type of your Main Unit.)         </p>
Locking your extension	<p> <input type="checkbox"/> KX-TA624 (Lock code is 4 digits.)            [ 7 7 lock code lock code # Lock            7 7 lock code # Unlock ]  <input type="checkbox"/> KX-TA1232 (Lock code is 3 digits.)            [ 7 7 lock code lock code Lock            7 7 lock code Unlock ]            (Check the type of your Main Unit.)         </p>
Clearing the setting	<p> <input type="checkbox"/> KX-TA624  <input type="checkbox"/> KX-TA1232            (Check the type of your Main Unit.)         </p>

\* Consult your dealer for more details on the operations above.

# Location of Controls



**RINGER Volume Selector/  
BACKLIGHT  
Illumination Selector**



- \* The KX-T7750 does not have a microphone.
- \* The backlit display is only available on the KX-T7730/7731/7735/7736.
- \* The headset is an option. Recommended headsets are KX-TCA91 and KX-TCA92.

- 1 PROGRAM:** Used to enter and exit the programming mode.
- 2 CONF (Conference):** Used to establish a multiple party conversation.
- 3 INTERCOM:** Used to make or receive intercom calls.
- 4 FWD/DND (Call Forwarding/Do Not Disturb):** Used to perform Call Forwarding or Do Not Disturb.
- 5 FLASH/RECALL:** Used for External Feature Access or to disconnect the current call and make another call without hanging up.
- 6 AUTO ANS (Auto Answer) (Other than KX-T7750):** Used to receive an incoming call in the hands-free mode.
- MUTE (Other than KX-T7750):** Used to mute the microphone during a conversation.
- VOICE CALL (KX-T7750 only):** Used to receive a notification via monitor in place of ringing.
- 7 AUTO DIAL/STORE:** Used for speed dialing or storing program changes.
- 8 REDIAL:** Used to redial.




# Location of Controls

- 9 DIALING BUTTONS WITH BACKLIGHT (KX-T7731/36):** Dialing buttons are backlit when (1) you receive a call, (2) during a conversation, or (3) when BGM is activated at your phone.
- 10 TRANSFER:** Used to transfer a call to another party.
- 11 HOLD:** Used to place a call on hold.
- 12 SP-PHONE (Other than KX-T7750):** Used for the handsfree operation.  
**MONITOR (KX-T7750 only):** Used for handsfree dialing. You can monitor the other party's voice handsfree.
- 13 NAVIGATOR KEY (KX-T7730/7731/7735/7736):** Used to adjust the volume and the display contrast, or select desired items.  
**VOLUME KEY (KX-T7720/7750):** Used to adjust the volume.
- 14 Programmable Feature (PF) Button:** Used as an One-Touch Dialing button (Button assignment is required).
- 15 Flexible Outside (CO) Line Button:** Used to make or receive an outside call. Pressing this button seizes an idle outside line automatically. (Button assignment is required.) Also used as feature buttons. (Button assignment is required.)
- 16 PAUSE:** Used to insert a pause during dialing.
- 17 MESSAGE:** Used to leave a message waiting indication, or call back the party who left the message waiting indication.
- 18 Message/Ringer Lamp:** The Message/Ringer lamp informs you visually that you have a message or a call.
  - When you receive a call, the lamp flashes depending on the ringing pattern. When the ringing pattern is set to Single (Slow flash), Double (Moderate flash), or Triple (Rapid flash) in your PBX, the lamp flashes. When the other ringing patterns are set in your PBX, the lamp may not flash. (e.g., S-Double, Call Waiting Tone1).
  - When someone has left you a message, the lamp is lit continuously.

# Initial Settings

## ◆ Speaker volume \*


*While on-hook or during a conversation*



Press **SP-PHONE.**      Press **Up or Down.**

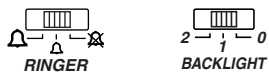
## ◆ Handset/Headset volume \*

*While using the handset or headset*



Press **Up or Down.**

## ◆ Ringer volume/Backlight illumination



Slide the lever of the **RINGER** Volume Selector and **BACKLIGHT** Illumination Selector to the desired setting.

BACKLIGHT SW POSITION	2	1	0
LCD backlight	HIGH	LOW	OFF
DIALING BUTTONS backlight	AUTO	AUTO	OFF

AUTO: The backlight shines only during operation.

## ◆ Display contrast \*

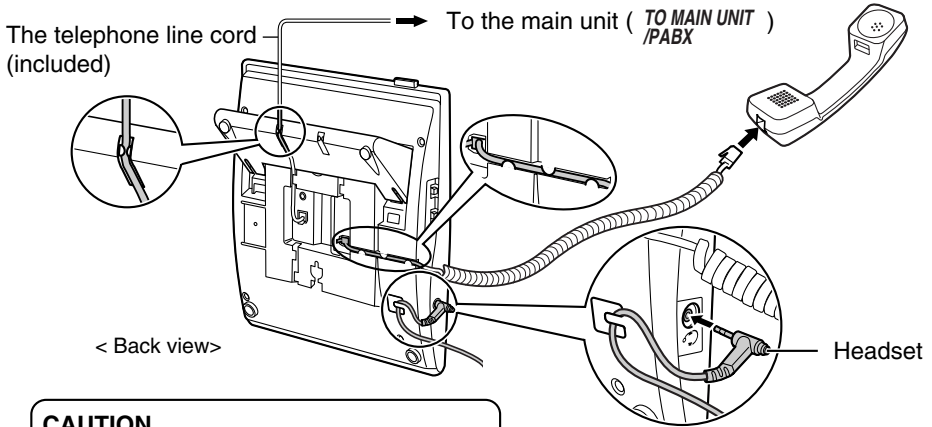
**KX-T7730/7731/7735/7736**



Press **Left or Right.**

\* The above settings may return to default settings if the telephone line cord is disconnected, or the main unit's power is interrupted.

# Connection

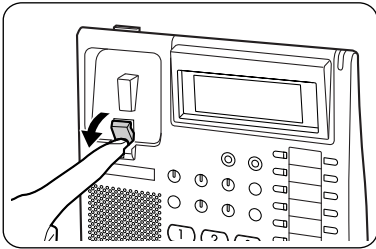


## CAUTION

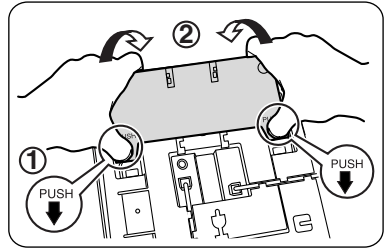
Ensure the cord is inserted in the groove to prevent damage to the connector.

# Wall Mounting

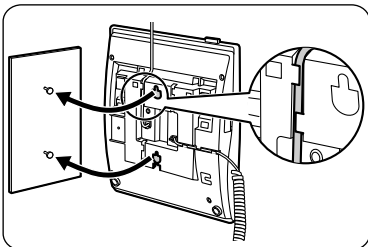
1 Pull down the handset hook until it locks, so the tab holds the handset.



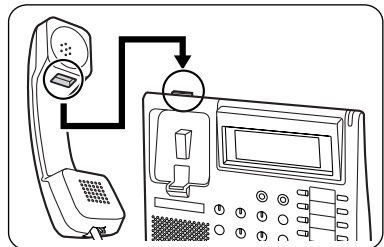
2 Remove the attached stand.



3 Mount the unit on the wall.



To temporarily place the handset down during a conversation, hook it over the top edge of the phone as shown.



\* KX-T7735 model illustrated on this page.

# ***Exhibit J - Customer Information***

---

This equipment complies with Part 68 of the ACTA rules and the requirements adopted by the ACTA. On the exterior of the cabinet of this equipment is a label that contains, among other information, a product identifier in the format ACJGTB-32973-MF-E/ACJGTB-43121-MF-E. If requested, this number must be provided to the telephone company.

- ACTA Registration Number (KX-TA624): ACJGTB-32973-MF-E  
(KX-TA1232): ACJGTB-43121-MF-E
- Ringer Equivalence Number (REN): 0.4B
- Facility Interface Code (FIC): 02LS2
- Service Order Code (SOC): 9.0F
- USOC Jack Type (KX-TA624): RJ11  
(KX-TA1232): RJ11 and RJ14C

A FCC compliant telephone cord and modular plug is provided with this equipment. This equipment is designed to be connected to the telephone network or premises wiring using a compatible modular jack that is Part 68 compliant. See Installation Instructions for details.

If this equipment KX-T7731/36 causes harm to the telephone network, the telephone company will notify you in advance that temporary discontinuance of service may be required. But if advance notice isn't practical, the telephone company will notify the customer as soon as possible. Also, you will be advised of your right to file a complaint with the FCC if you believe it is necessary.

The telephone company may make changes to its facilities, equipment, operations or procedures that could affect the operation of the equipment. If this happens the telephone company will provide advance notice so you can make the necessary modifications to maintain uninterrupted service.

If trouble is experienced with this equipment KX-T7731/36, for repair or warranty information, please contact

**Panasonic Services Company**  
**BTS Center**  
**1225 Northbrook Parkway Suite**  
**1-216 Suwanee**  
**GA 30024**

If the equipment is causing harm to the telephone network, the telephone company may request that you disconnect the equipment until the problem is resolved.

Connection to party line service is subject to state tariffs. (Contact the state public utility commission, public service commission or corporation commission for information.)

This equipment is hearing aid compatible.

# Exhibit J - Customer Information

## Data Equipment

The table below shows which jacks are associated with which modes of operation:

Mode of Operation	USOC Jack	
	KX-TA624	KX-TA1232
Permissive	RJ11	RJ11 and RJ14C
Programmable	RJ41S and RJ45S	RJ41S and RJ45S
Fixed Loss Loop	RJ41S	RJ41S

## Systems

Facility Interface Codes (FIC), Service Order Codes (SOC), USOC Jack Codes and Ringer Equivalence Numbers (REN) are shown in the table below for each port where applicable:

Port	FIC	SOC	USOC Jack		Port
			KX-TA624	KX-TA1232	
CO1 ~ 3	02LS2	9.0F	RJ11	RJ11 and RJ14C	0.4B

## Adjuncts – KX and PX Devices

When this adjunct is used with a leased system, permission of the owner should be requested for connection of the adjunct.

KX-type telephones with message waiting lights and/or line status indicators can only be connected to host equipment and never directly to the network.

KX devices can only be installed with the permission of the owner of the host equipment as “surgery” is often required on the host system.

# ***Important Safety Instructions***

---

When using this unit, basic safety precautions should always be followed to reduce the risk of fire, electric shock, or personal injury.

1. Read and understand all instructions.
2. Follow all warnings and instructions marked on this unit.
3. Unplug this unit from the main unit before cleaning. Do not use liquid or aerosol cleaners. Use a damp cloth for cleaning.
4. Do not use this unit near water, for example, near a bathtub, washbowl, kitchen sink, or the like.
5. Place this unit securely on a stable surface. Serious damage and/or injury may result if the unit falls.
6. Do not cover slots and openings on the unit. They are provided for ventilation and protection against overheating. Never place the unit near radiators, or in a place where proper ventilation is not provided.
7. Do not allow anything to rest on the extension cord. Do not locate this unit where the cord will be abused by persons walking on it.
8. Do not overload wall outlets and extension cords. This can result in the risk of fire or electric shock.
9. Never push any objects through slots in this unit. This may result in the risk of fire or electric shock. Never spill any liquid on the unit.
10. To reduce the risk of electric shock, do not disassemble this unit. Take the unit to an authorized servicer when service is required. Opening or removing covers may expose you to dangerous voltages or other risks. Incorrect reassembly can cause electric shock when the unit is subsequently used.
11. Unplug this unit from the main unit, and refer servicing to an authorized servicer when the following conditions occur:
  - A. When the extension cord is damaged or frayed.
  - B. If liquid has been spilled into the unit.
  - C. If the unit has been exposed to rain or water.
  - D. If the unit does not work normally by following the manual. Adjust only controls covered by the manual. Improper adjustment may require extensive work by an authorized servicer.
  - E. If the unit has been dropped, or physically damaged.
  - F. If the unit exhibits a distinct change in performance.
12. Avoid using a telephone (other than a cordless type) during an electrical storm. There may be a remote risk of electric shock from lightning.
13. Do not use this unit to report a gas leak, when in the vicinity of the leak.

**SAVE THESE  
INSTRUCTIONS**

# ***FCC and Other Information***

---

**NOTE:** This equipment has been tested and found to comply with the limits for a Class B digital device, pursuant to Part 15 of the FCC Rules. These limits are designed to provide reasonable protection against harmful interference in a residential installation. This equipment generates, uses and can radiate radio frequency energy and, if not installed and used in accordance with the instructions, may cause harmful interference to radio communications. However, there is no guarantee that interference will not occur in a particular installation. If this equipment does cause harmful interference to radio or television reception, which can be determined by turning the equipment off and on, the user is encouraged to try to correct the interference by one or more of the following measures:

- Reorient or relocate the receiving antenna.
- Increase the separation between the equipment and receiver.
- Connect the equipment into an outlet on a circuit different from that to which the receiver is connected.
- Consult the dealer or an experienced radio/TV technician for help.

**CAUTION:** To assure continued compliance with FCC rules, do not make any unauthorized modifications. When programming emergency numbers and/or making test calls to emergency numbers:

- 1) Remain on the line and briefly explain to the dispatcher the reason for the call before hanging up.
  - 2) Perform such activities in the off peak hours, such as early morning hours or late evenings.
- If there is any problem, unplug the extension and connect a known working phone. If the known working phone operates properly, have the defective phone repaired by your maintainer. If the known working phone does not operate properly, check the PBX System and the internal extension wiring.
  - Keep the unit away from heating appliances and electrical noise generating devices such as fluorescent lamps and motors.
  - The unit should be kept free of dust, moisture and vibration, and should not be exposed to direct sunlight.
  - Do not use benzene, thinner, or any abrasive powder to clean the cabinet. Wipe it with a soft cloth.
  - Do not disassemble this unit. Dangerous electrical shock could result. The unit must only be disassembled and repaired by qualified service technicians.
  - When a failure occurs which exposes any internal parts, disconnect the telephone line and mains supply immediately and return the unit to your maintainer.

**This telephone provides magnetic coupling for hearing aids.**



**Panasonic Consumer Electronics  
Company, Division of Matsushita  
Electric Corporation of America**

One Panasonic Way,  
Secaucus, New Jersey 07094  
[www.panasonic.com](http://www.panasonic.com)

**Panasonic Sales Company ("PSC"),  
Division of Matsushita Electric of  
Puerto Rico, Inc.**

Ave. 65 de Infantería, Km. 9.5,  
San Gabriel Industrial Park, Carolina,  
Puerto Rico 00985

© 2002 Panasonic Communications Co., Ltd. All Rights Reserved.