

Service Manual

Telephone Equipment

Model No. **KX-TS500LX1B**
KX-TS500LX1W

Integrated Telephone System

B: Black Version

W: White Version

(for Latin America)

Supplement

Subject : Adding KX-TS500LX1B, KX-TS500LX1W to the KX-TS500LX Series.

Note: All other information is the same as KX-TS500LX Service Manual (Order No. KM40309208C3). You can download and refer the Service Manual on TSN Server.

Please file and use this supplement manual together with the service manual for Model No. KX-TS500LXB, KX-TS500LXW Order No. KM40309208C3.

⚠ WARNING

This service information is designed for experienced repair technicians only and is not designed for use by the general public. It does not contain warnings or cautions to advise non-technical individuals of potential dangers in attempting to service a product. Products powered by electricity should be serviced or repaired only by experienced professional technicians. Any attempt to service or repair the product or products dealt with in this service information by anyone else could result in serious injury or death.

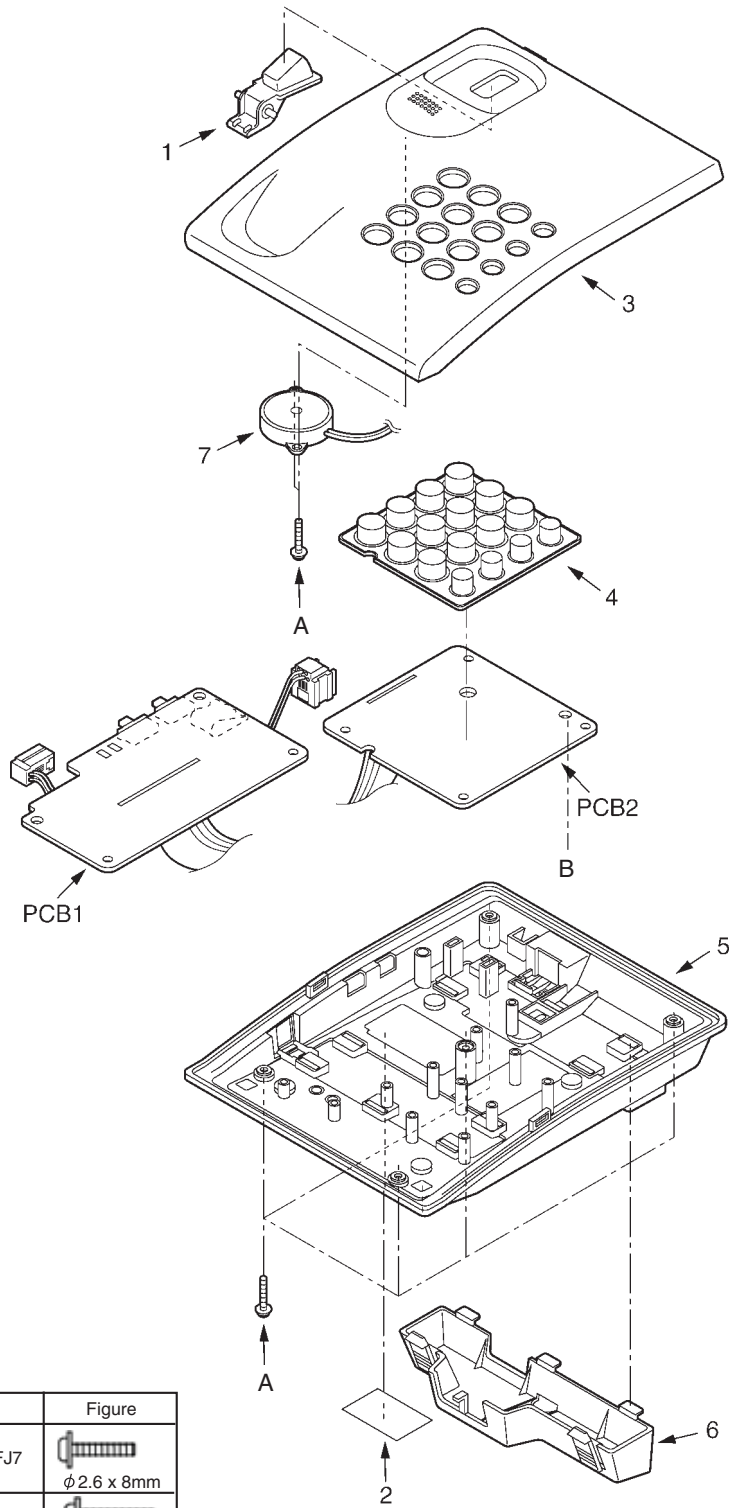
TABLE OF CONTENTS

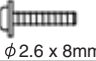
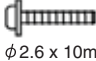
	PAGE	PAGE
1 CABINET AND ELECTRICAL PARTS LOCATION -----	2	
2 ACCESSORY AND PACKING MATERIAL -----	3	
3 REPLACEMENT PARTS LIST -----	4	
3.1. Base unit-----	4	
3.1.1. Cabinet and Electrical Parts -----	4	
3.1.2. Main P.C Boards Parts -----	4	
3.1.3. Operational P.C.Board Part -----	5	
3.1.4. Accessories and Packing Material -----	5	
3.1.5. Screws-----	5	

Panasonic[®]

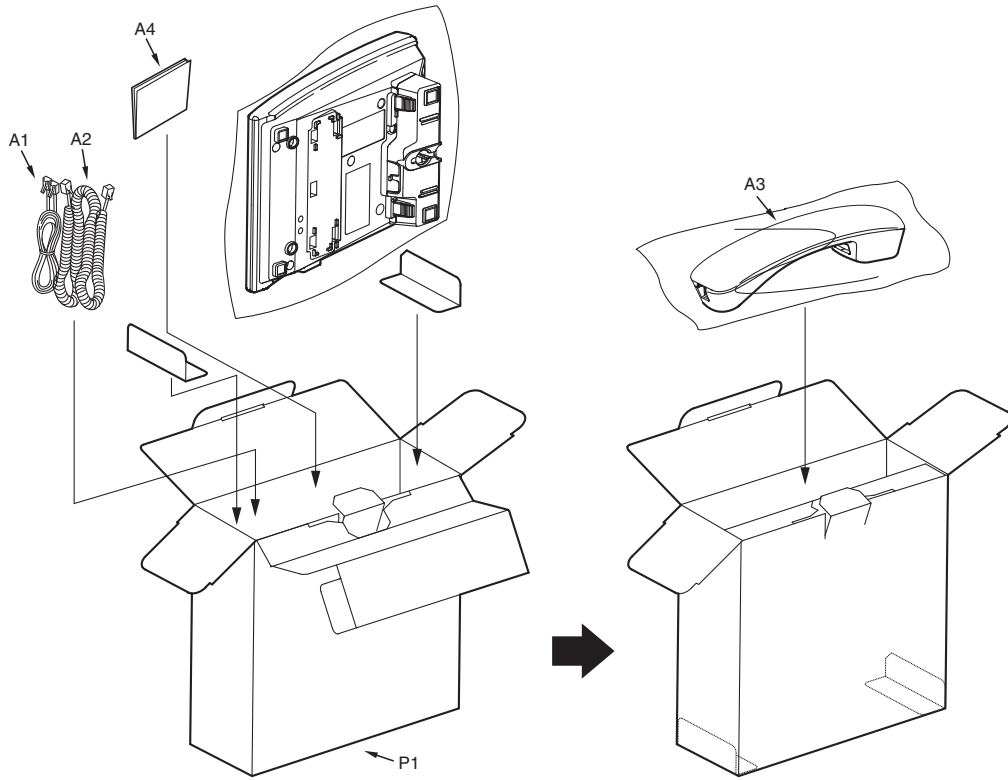
© Panasonic System Networks Co., Ltd. 2015
Unauthorized copying and distribution is a violation of law.

1 CABINET AND ELECTRICAL PARTS LOCATION



Ref.No.	Part No.	Figure
A	XTW26+8PFJ7	 $\phi 2.6 \times 8\text{mm}$
B	PQHV2610PJ65	 $\phi 2.6 \times 10\text{mm}$

2 ACCESSORY AND PACKING MATERIAL



3 REPLACEMENT PARTS LIST

1. RTL (Retention Time Limited)

Note:

The "RTL" marking indicates that its Retention Time is Limited.

When production is discontinued, this item will continue to be available only for a specific period of time.

This period of time depends on the type of item, and the local laws governing parts and product retention. At the end of this period, the item will no longer be available.

2. Important safety notice

Components identified by the Δ mark indicates special characteristics important for safety. When replacing any of these components, only use specified manufacture's parts.

3. The S mark means the part is one of some identical parts.

For that reason, it may be different from the installed part.

4. ISO code (Example: ABS-94HB) of the remarks column

shows quality of the material and a flame resisting grade about plastics.

5. RESISTORS & CAPACITORS

Unless otherwise specified;

All resistors are in ohms (Ω) k=1000 Ω , M=1000k Ω

All capacitors are in MICRO FARADS (μ F) p= μ μ F

*Type & Wattage of Resistor

Type

ERC:Solid ERDS:Carbon ERJ:Chip	ERX:Metal Film ERG:Metal Oxide ERO:Metal Film	PQ4R:Chip ERS:Fusible Resistor ERF:Cement Resistor
--------------------------------------	---	--

Wattage

10,16:1/8W	14,25:1/4W	12:1/2W	1:1W	2:2W	3:3W
------------	------------	---------	------	------	------

*Type & Voltage Of Capacitor

Type

ECFD:Semi-Conductor ECQS:Styrol ECUV,PQCUV,ECUE:Chip ECQMS:Mica	ECCD,ECKD,ECBT,F1K,ECUV: Ceramic ECQE,ECQV,ECQG: Polyester ECEA,ECST,EEE: Electlytic ECQP: Polypropylene
--	---

Voltage

ECQ Type	ECQG ECQV Type	ECSZ Type	Others		
1H:50V 2A:100V 2E:250V 2H:500V	05:50V 1:100V 2:200V	0F:3.15V 1A:10V 1V:35V 0J:6.3V	0J :6.3V 1A :10V 1C :16V 1E,25:25V	1V :35V 50,1H:50V 1J :16V 2A :100V	

3.1. Base unit

3.1.1. Cabinet and Electrical Parts

Safety	Ref. No.	Part No.	Part Name & Description	Remarks
	1	PQBH10033Z2	PUSH BUTTON, HOOK (for KX-TS500LX1B)	ABS-HB
	1	PQBH10033Z1	PUSH BUTTON, HOOK (for KX-TS500LX1W)	ABS-HB
	2	PNGT8341Y	NAME PLATE (for KX-TS500LX1B)	
	2	PNGT8341Z	NAME PLATE (for KX-TS500LX1W)	
	3	PQKM10610S2	CABINET BODY (for KX-TS500LX1B)	PS-HB

Safety	Ref. No.	Part No.	Part Name & Description	Remarks
	3	PQKM10610S1	CABINET BODY (for KX-TS500LX1W)	PS-HB
	4	PQSX10248Y	KEYBOARD SWITCH, 16KEY (for KX-TS500LX1B)	
	4	PQSX10248Z	KEYBOARD SWITCH, 16KEY (for KX-TS500LX1W)	
	5	PQYF10573U2	CABINET COVER (for KX-TS500LX1B)	PS-HB
	5	PQYF10573U1	CABINET COVER (for KX-TS500LX1W)	PS-HB
	6	PQYL10013Z2	STAND, WALL MOUNT ADAPTOR (for KX-TS500LX1B)	PS-HB
	6	PQYL10013Z1	STAND, WALL MOUNT ADAPTOR (for KX-TS500LX1W)	PS-HB
	7	L0DDFD000002	BUZZER	S

3.1.2. Main P.C Boards Parts

Safety	Ref. No.	Part No.	Part Name & Description	Remarks
	PCB1	PNWP1S500LXH	MAIN P.C.BOARD ASS'Y (RTL)	
			(IC)	
	IC201	PNWITS500LX2	IC	
			(TRANSISTORS)	
	Q11	2SC4081S	TRANSISTOR(SI)	S
	Q12	UN5213	TRANSISTOR(SI)	S
	Q21	2SC4081S	TRANSISTOR(SI)	S
	Q101	B1BCAP000026	TRANSISTOR(SI)	
	Q102	B1ABDM000001	TRANSISTOR(SI)	
	Q107	B1AAJC000010	TRANSISTOR(SI)	
	Q130	UN5213	TRANSISTOR(SI)	S
	Q140	2SC4081S	TRANSISTOR(SI)	S
	Q301	2SC4081R	TRANSISTOR(SI)	S
	Q302	UN5213	TRANSISTOR(SI)	S
	Q306	2SC4081R	TRANSISTOR(SI)	S
	Q308	2SC4081S	TRANSISTOR(SI)	S
	Q404	UNR5113J0L	TRANSISTOR(SI)	
	D204	DY2J25000L	TRANSISTOR(SI)	
			(DIODES)	
	D11	B0EAAD000001	DIODE(SI)	
	D12	PQVDMZJ30DT	DIODE(SI)	S
	D13	MA4056	DIODE(SI)	S
	D14	B0EAAD000001	DIODE(SI)	
	D22	B0EAAD000001	DIODE(SI)	
	D101	B0EDER000009	DIODE(SI)	
	D106	MA4056	DIODE(SI)	S
	D201	1SS355	DIODE(SI)	S
	D203	1SS355	DIODE(SI)	S
			(RESISTORS)	
	R1	ERDS1VJ682	6.8k	
	R101	PQ4R10XJ565	5.6M	S
	R103	ERDS2TJ154	150k	
	R104	ERJ3GEYJ334	330k	S
	R105	ERDS2TJ472	4.7k	
	R106	ERJ3GEYJ104	100k	S
	R11	ERJ3GEYJ104	100k	S
	R115	ERJ3GEY0R00	0	S
	R117	ERJ3GEYJ821	820	S
	R118	ERJ3GEYJ103	10k	S
	R119	ERDS1TJ150	15	S
	R120	ERJ3GEYJ271	270	S
	R121	ERJ3GEYJ153	15k	S
	R122	ERJ3GEYJ123	12k	S
	R140	ERJ3GEYJ474	470k	S
	R141	ERJ3GEYJ474	470k	S
	R16	ERJ3GEYJ123	12k	S
	R17	ERDS2TJ153	15k	
	R206	ERJ3GEYJ105	1M	S
	R207	ERDS2TJ474	470k	
	R21	ERJ3GEYJ334	330k	S
	R22	ERJ3GEYJ224	220k	S
	R23	ERJ3GEYJ474	470k	S

Safety	Ref. No.	Part No.	Part Name & Description	Remarks
	R231	ERJ3GEYJ225	2.2M	S
	R232	ERJ3GEYJ225	2.2M	S
	R301	ERDS2TJ103	10k	
	R302	ERJ3GEYJ335	3.3M	S
	R303	ERJ3GEYJ392	3.9k	S
	R304	ERJ3GEYJ560	56	S
	R307	ERJ3GEYJ333	33k	S
	R308	ERJ3GEYJ224	220k	S
	R309	ERDS2TJ333	33k	
	R310	ERDS2TJ123	12k	
	R311	ERDS2TJ472	4.7k	
	R312	ERJ3GEYJ225	2.2M	S
	R313	ERJ3GEYJ272	2.7k	S
	R314	ERJ3GEYJ471	470	S
	R315	ERJ3GEYJ183	18k	S
	R316	ERJ3GEYJ334	330k	S
	R317	ERJ3GEYJ681	680	S
	R401	ERJ3GEYJ682	6.8k	S
	R410	ERJ3GEY0R00	0	S
	R411	ERJ3GEYJ104	100k	S
	R501	ERJ3GEYJ273	27k	S
	R502	ERJ3GEYJ393	39k	S
	R503	ERJ3GEYJ183	18k	S
	R504	ERJ3GEYJ473	47k	S
	RA1	EXB38V104JV	COMPONENTS PARTS (CAPACITORS)	
	C1	F0C2E1050005	PLASTIC FILM CAPACITOR	
	C101	F1B2H681A070	CERAMIC CAPACITOR	
	C102	F1B2H681A070	CERAMIC CAPACITOR	
	C105	ECUV1H103KBV	0.01	
	C107	ECUV1H103KBV	0.01	
	C109	ECEA1CKA100	10	
	C111	ECUV1H103KBV	0.01	
	C114	ECUV1H392KBV	0.0039	
	C115	ECEA0JKA221	220	
	C12	ECEALHKS220	22	S
	C140	ECUV1C104KBV	0.1	
	C200	F2A0J4710020	ELECTROLYTIC CAPACITOR AL	
	C21	ECUV1C563KBV	0.056	
	C210	ECEA0JKA101	100	
	C211	ECUV1C104KBV	0.1	
	C231	ECUV1H103KBV	0.01	
	C301	ECUV1C104KBV	0.1	
	C302	ECUV1H271JCV	270p	
	C303	ECUV1H103KBV	0.01	
	C305	ECUV1C104KBV	0.1	
	C306	ECUV1C104KBV	0.1	
	C308	ECUV1H102KBV	0.001	
	C310	ECUV1C104KBV	0.1	
	C316	PQCUV0J106KB	10	S
	C401	ECUV1C473KBV	0.047	
	C410	ECUV1C224KBV	0.22	
	C500	ECUV1H123KBV	0.012	
	C501	ECUV1H332KBV	0.0033	
	D21	PQVDMZJ27B	CERAMIC CAPACITOR	S
	L306	ERJ3GEY0R00	0	S
			(OTHERS)	
	JJ1	PQJJ1T039Z	JACK/SOCKET	
	JJ2	PQJJ1T030Z	JACK/SOCKET	
▲	SA101	J0LF00000026	VARISTOR	
	SW1	PQSH2B105Z	PUSH SWITCH	S
	SW11	K0D113B00082	SLIDE SWITCH	
	SW3	K0D112B00131	SLIDE SWITCH	S
	X201	H2D358400007	CERAMIC FILTER	

3.1.3. Operational P.C.Board Part

Safety	Ref. No.	Part No.	Part Name & Description	Remarks
	PCB2	PQWP2TS500MX	OPERATIONAL P.C.BOARD ASS'Y(RTL)	

3.1.4. Accessories and Packing Material

Safety	Ref. No.	Part No.	Part Name & Description	Remarks
	A1	PQJA10075Y	CORD, TELEPHONE	
	A2	PQJA10152Y	CORD, CURL (for KX-TS500LX1B)	
	A2	PQJA10152Z	CORD, CURL (for KX-TS500LX1W)	
	A3	PQJXE0401Z	HANDLE, HANDSET (for KX-TS500LX1B)	ABS-HB
	A3	PQJXE0411Z	HANDLE, HANDSET (for KX-TS500LX1W)	ABS-HB
	A4	PQQX16374X	INSTRUCTION BOOK	
	P1	PNPK3253002Z	GIFT BOX	

3.1.5. Screws

Safety	Ref. No.	Part No.	Part Name & Description	Remarks
	A	XTW26+8PFJ7	TAPPING SCREW	S
	B	PQHV2610PJ65	TAPPING SCREW	S