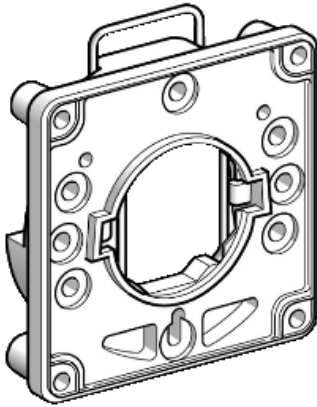


KZ140

plate for cam switch body - Ø 22 mm hole, front mounting, clip-in body



Main

Range of product	Harmony K
Accessory / separate part designation	Replacement plastic plate
Accessory / separate part type	Plate
Accessory / separate part category	Mounting and fixing accessories
Accessory / separate part destination	Ø 22 mm hole front mounting clip-in body
Sale per indivisible quantity	1

Complementary

Product weight	0.01 kg
----------------	---------

Contractual warranty

Warranty period	18 months
-----------------	-----------

Disclaimer: This documentation is not intended as a substitute for and is not to be used for determining suitability or reliability of these products for specific user applications