

1310nm

L-13-155-G-B  
L-13-155-G-BB

# 1310nm Light Emitting Diodes

## Features

[www.DataSheet4U.com](http://www.DataSheet4U.com)

- High efficiency
- -40~85°C operating temperature
- Hermetically sealed active component

## Packaging

- TO-46 package with integrated ball lens cap (L-13-155-G-B/BB)

## Applications

- Optical data communication transmitter
- E-O converters
- LANS
- FDDI networks
- FITL

## Absolute Maximum Ratings(Tc=25°C)

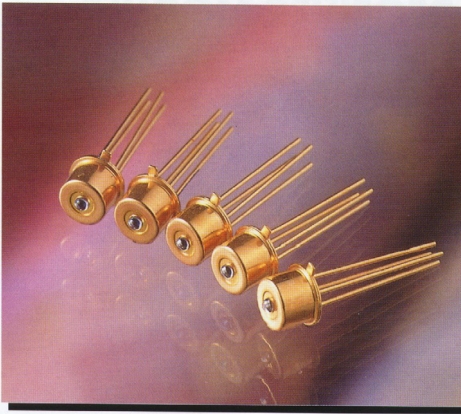
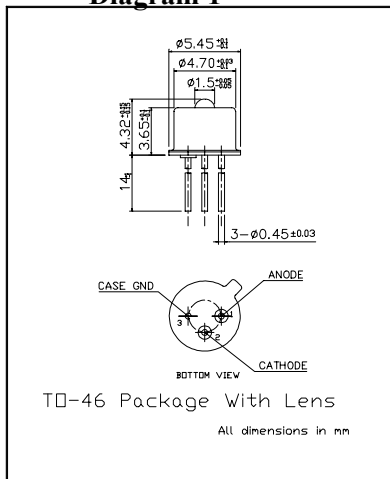
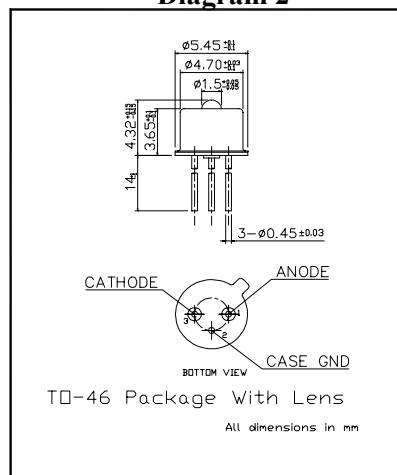
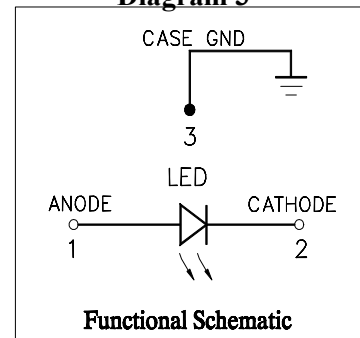
Parameter	Symbol	Value	Unit
Reverse voltage	$V_R$	2	V
Forward Current	$I_F$	150	mA
Soldering		240°C/10sec	
Operating Temperature	$T_{opr}$	-40~+85	°C
Storage Temperature	$T_{stg}$	-40~+85	°C

(All optical data refer to a coupled 62.5/125µm multi-mode fiber)

## Optical and Electrical Characteristics(Tc=25°C, CW, If=60mA)

Parameter	Symbol	Min.	Typ.	Max.	Unit	Test condition
Coupled Power	$P_o$	30	--	--	µW	
Wavelength	$\lambda$	1280	1310	1350	nm	
Spectral Width	$\Delta \lambda$	--	--	170	nm	
Forward Voltage	$V_F$	--	1.2	1.7	V	
Bandwidth	BW	115	--	--	MHz	
Rise/Fall Time	$T_r / T_f$			3	ns	10%~90%
Output Power over Temperature	$\Delta P_o / \Delta T$	--	--	±3	dB	-40°C to +85°C

Note: Specifications subject to change without notice.

**Diagram 1****Diagram 2****Diagram 3**

Note: The diagram 1&amp;3 is for L-13-155-G-B

The diagram 2 is for L-13-155-G-BB



**Luminent**  
Bringing Communications to Light™

## Optronics International Corp.

9F-6, 81 Shui Lee Rd., Hsin-Chu, Taiwan, R.O.C. 300

TEL: 886-3-516-9222 FAX: 886-3-516-9213 Email: oicsales@oic.com.tw <http://www.oic.com.tw>