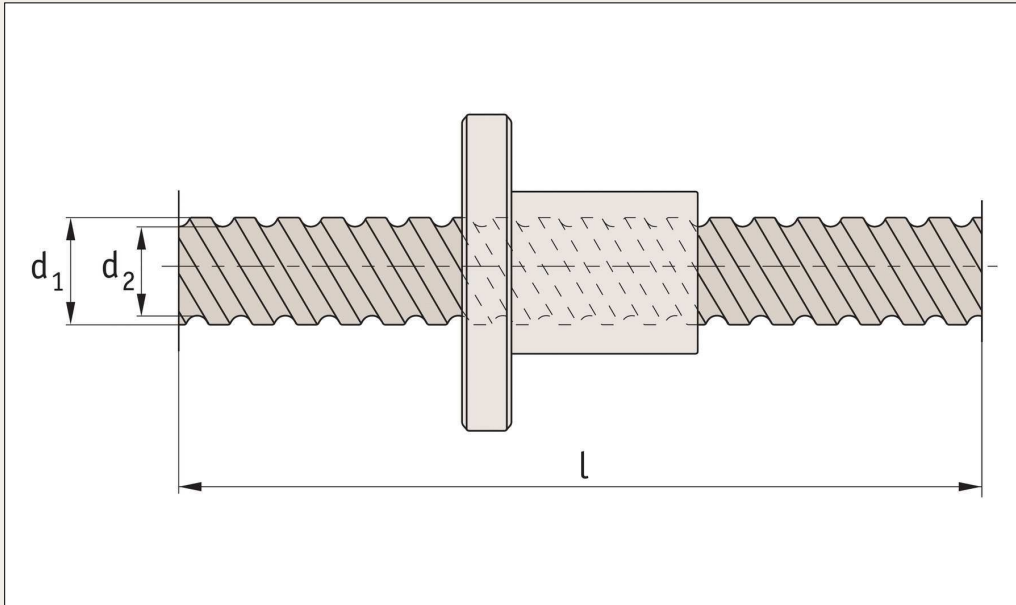


High Helix Lead Screws - Stainless

lead screw only (to suit L1350 nuts)

Lead Screws & Nuts



L1349

Material

Stainless steel screw (SUS 304).

Technical notes

High precision.
The 'lead' refers to the distance the

nut will travel for one complete revolution of the thread.
Order corresponding lead screw- see part L1350.

| Order No. | d_1 | Lead | l | d_2 core |
|-----------------|-------|------|------|------------|
| L1349.04-01-0.2 | 4 | 1 | 200 | 3,3 |
| L1349.04-02-0.2 | 4 | 2 | 200 | 3,3 |
| L1349.06-01-0.3 | 6 | 1 | 300 | 5,3 |
| L1349.06-02-0.3 | 6 | 2 | 300 | 5,3 |
| L1349.06-09-0.3 | 6 | 9 | 300 | 5,4 |
| L1349.06-18-0.3 | 6 | 18 | 300 | 5,6 |
| L1349.08-01-0.3 | 8 | 1 | 300 | 7,3 |
| L1349.08-02-0.3 | 8 | 2 | 300 | 6,6 |
| L1349.08-12-0.4 | 8 | 12 | 400 | 6,7 |
| L1349.08-24-0.4 | 8 | 24 | 400 | 7,5 |
| L1349.10-02-0.3 | 10 | 2 | 300 | 8,6 |
| L1349.10-06-1.0 | 10 | 6 | 1000 | 8,0 |
| L1349.10-10-1.0 | 10 | 10 | 1000 | 8,0 |
| L1349.10-15-0.5 | 10 | 15 | 450 | 8,4 |
| L1349.10-30-0.5 | 10 | 30 | 450 | 8,9 |
| L1349.12-02-0.3 | 12 | 2 | 300 | 10,6 |
| L1349.12-04-1.0 | 12 | 4 | 1000 | 10,0 |
| L1349.12-08-1.0 | 12 | 8 | 1000 | 9,8 |
| L1349.12-12-1.0 | 12 | 12 | 1000 | 10,3 |
| L1349.12-18-0.5 | 12 | 18 | 500 | 10,6 |
| L1349.12-36-0.5 | 12 | 36 | 500 | 10,9 |
| L1349.15-05-2.0 | 15 | 5 | 2000 | 12,2 |
| L1349.15-10-2.0 | 15 | 10 | 2000 | 12,3 |
| L1349.15-20-2.0 | 15 | 20 | 2000 | 12,6 |
| L1349.20-10-2.0 | 20 | 10 | 2000 | 17,5 |
| L1349.20-20-2.0 | 20 | 20 | 2000 | 17,6 |