

**GENERAL DESCRIPTION**

The L1581 is a positive and very low dropout voltage regulator with 5A output current capability. When supplying 2.5V or 2.8V on Motherboards or VGA Card where both 5V and 3.3V supplies are available, the superior dropout characteristics of the L1581 result in reduced heat dissipation compared to regular LDOs, thus allowing heat sink reduction. The adjustable version requires only two external resistors to set the output. The L1581 features a low dropout of less than 600mV and offers fast transient response, remote sense, internal limiting, thermal shutdown and safe operating area protection of the output device.

The L1581 is a five terminal adjustable voltage regulator available in the popular 5 pin TO-252 packages.

**FEATURES**

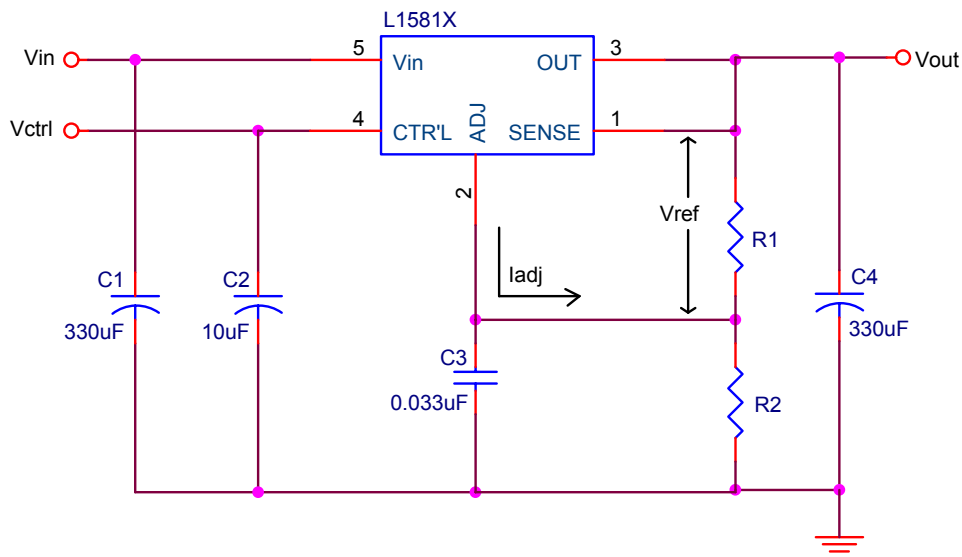
- Low dropout voltage 600mV at rated load current
- Remote sense operation
- Fast transient response
- 0.5% voltage reference initial accuracy
- Standard 5 terminal, Low cost TO-252 packages

**APPLICATIONS**

- 3.3V to 2.8V or 2.5V for Motherboards or VGA Card
- Spilt plane microprocessor supplies
- Post regulator for switching supplies

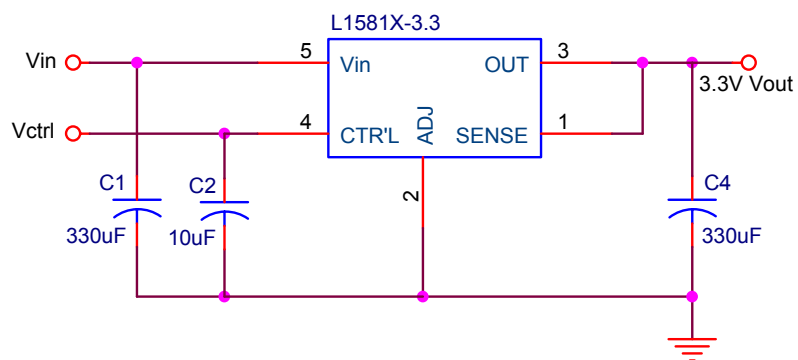
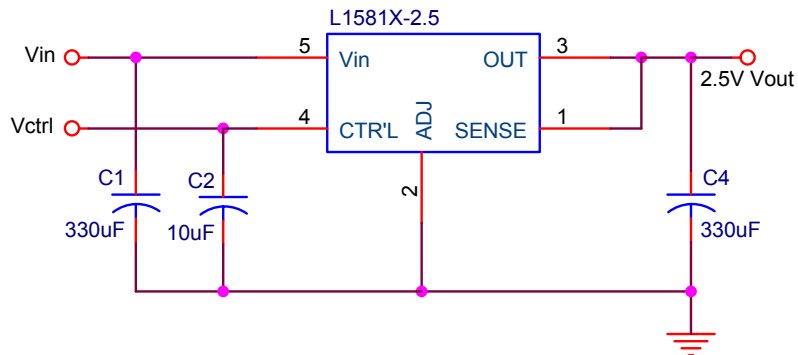
**TYPICAL APPLICATION**

Adjustable Output Parts<sup>(2)</sup>



$$V_o = V_{ref} (1 + R_2/R_1) + I_{adj} \times R_2$$

Fixed Output Parts



**NOTES :**

- (1) If the same voltage is input to both INPUT and CONTROL, then the dropout voltage will become 1.3V maximum.
- (2) A small (~0.033uF) capacitor can be used to bypass the ADJUST pin to improve transient response, if needed.
- (3) Capacitor values are for reference only. Good quality, low ESR tantalum or aluminum electrolytic capacitors should be used. Increasing the value of the output capacitor will improve the overall transient response.

**ABSOLUTE MAXIMUM RATINGS**

- Input Supply Voltage,  $V_{IN}$  7V
- Control Input Voltage,  $V_{CTRL}$  13.2V
- Power Dissipation,  $P_D$  Internally Limited
- Thermal Resistance Junction to Case,  $\theta_{JC}$  3 °C/W
- Thermal Resistance Junction to Ambient,  $\theta_{JA}$  60 °C/W
- Operating Junction Temperature Range,  $T_J$  0 to 125 °C
- Storage Temperature Range,  $T_{STG}$  -40 to 150 °C
- Lead Temperature,  $T_{LEAD}$  (Soldering, 10 Seconds) 260 °C

**ELECTRICAL CHARACTERISTICS** (Unless otherwise specified,  $V_{out} = V_{sns}$ ,  $V_{adj} = 0V$ ,

$C_{ctl} = C_{in} = C_{out} = 10 \mu F, T_J = 25 \text{ °C}$ )

Parameter	Symbol	Test Conditions	Typical	Limits
Reference Voltage <sup>(1)</sup> (Adj. Voltage Versions)	$V_{REF}$	◆ $V_{CTRL} = 4.5V, V_{IN} = 2.05V, I_{OUT} = 10mA$	1.25V	◆ 1.237V~1.263V
		◆ $V_{CTRL} = 4.5V, 10mA < I_{OUT} < 5A, V_{IN} = 2.05V$		◆ 1.231V~1.269V
Dropout Voltage <sup>(1)(2)</sup> Minimum $V_{IN}$	$V_I - V_O$	$V_{CTRL} = 4.75V, I_{OUT} = 5A$	0.54V	0.62V (Max)
Output Voltage <sup>(1)</sup> (Fixed Voltage Versions)	$V_{OUT}$	◆ $V_{CTRL} = 5V, V_{IN} = V_{OUT} + 0.8V, I_{OUT} = 10mA$	$V_{OUT}$	± 1%
		◆ $V_{CTRL} = 5V, 10mA < I_{OUT} < 5A, V_{IN} = V_{OUT} + 0.8V$		± 1.5%
Line Regulation <sup>(1)</sup>	$REG_{(LINE)}$	$V_{CTRL} = 4.5V \text{ to } 12V, V_{IN} = (V_{OUT} + 0.8V) \text{ to } 5.5V, I_{OUT} = 10mA$	1.0mV	3.0mV
Load Regulation	$REG_{(LOAD)}$	$V_{CTRL} = 4.5V, V_{IN} = (V_{OUT} + 0.8V), I_{OUT} = 10mA \sim 5A$	1.0mV	5.0mV
Thermal Regulation <sup>(6)</sup>	$REG_{(Thermal)}$		0.002 % / W	0.02% / W
Minimum Load Current <sup>(4)</sup>	$I_O$	$V_{CTRL} = 5V, V_{IN} = V_{OUT} + 0.8V$	5mA	10mA
Adjust Pin Current	$I_{ADJ}$	$V_{CTRL} = 4.5V, V_{IN} = V_{OUT} + 0.8V, I_{OUT} = 10mA$	50µA	120µA
Control Pin Current <sup>(3)</sup>	$I_{CTRL}$	$V_{CTRL} = 4.5V, V_{IN} = V_{OUT} + 0.8V, I_{OUT} = 5A$	33mA	120mA
Current Limit	$I_{CL}$	$V_{CTRL} = 4.5V, V_{IN} = V_{OUT} + 0.8V, \Delta V_{OUT} = 100mV$		5.1A (Min)

Ripple Rejection Ratio <sup>(5)</sup>	R <sub>A</sub>	V <sub>CTRL</sub> = V <sub>IN</sub> = 5V, I <sub>OUT</sub> = 5A	80dB	60dB (Min)
---------------------------------------	----------------	---	------	------------

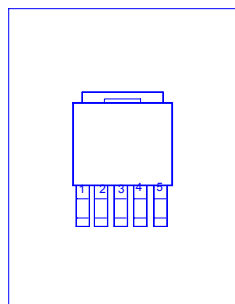
**NOTE :**

- (1) Low duty cycle pulse testing with Kelvin connections required.
- (2) Minimum input to output voltage differential required to maintain 1% regulation.
- (3) Current used to drive the output section.
- (4) Required to maintain regulation. Resistor divider R1, R2 is usually utilized for minimum load current.
- (5) V<sub>RIPPLE</sub> = 1V<sub>PK-PK</sub>, 120Hz.
- (6) 30ms.

**DEVICE SELECTION GUIDE**

<b>Device</b>	L1581D	L1581D-2.5	L1581D-3.3
<b>Package</b>	TO-252	TO-252	TO-252
<b>Marking</b>	L1581D	L1581D-2.5	L1581D-3.3

**PIN CONFIGURATIONS**



Pin #	Function
1	Sense
2	Adjust
3	Output
4	Control
5	Input

Note: TAB is Output Pin

**PIN FUNCTIONS**

NO	FUNCTION	DESCRIPTION
1	Sense	This pin is the positive side of the reference voltage for the device. With this pin it is possible to Kelvin sense the output voltage at the load.
2	Adjust	This pin is the negative side of the reference voltage for the device. Transient response can be improved by adding a small bypass capacitor from the adjust pin to ground.
3	Output	This is the power output of the device, and is electrically connected to the TAB.
4	Control	This pin is the supply pin for the control circuitry for the device. The current flow into this pin will be approximately 1% of the output. For the device to regulate, the voltage at this pin must be between 1.0V and 1.3V greater than the output voltage (see dropout specifications).
5	Input	This is the collector input to the power device of the L1581. The output load current is supplied through this pin. For the device to regulate, the voltage on this pin must be between 0.1V and 0.7V greater than the output, depending upon load current (see dropout specifications).

**TO-252 (DPAK) MECHANICAL DATA**

Dimension	mm			Dimension	mm		
	Min.	Typ.	Max.		Min.	Typ.	Max.
A		9.7		H	0.89		2.03
B	2.19		2.38	I	6.35		6.73
C	0.46		0.58	J	5.21		5.46
D	0.89		1.27	K			
E	0.46		0.53	L	0.64		0.89
F	0.00		0.13	M		1.27BSC	
G	3.04		5.33	N			

