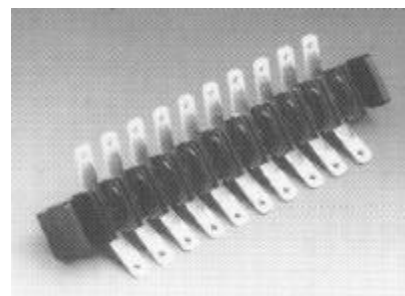
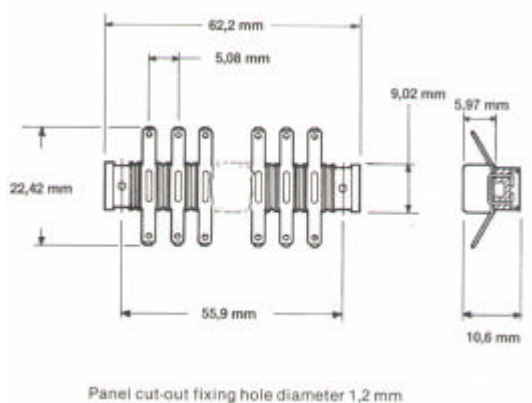


**L1932 MINIATURE BARRIER STRIP**

A ten way barrier type terminal block which can easily be sub-divided if required. It has two rows of solder or solderless snap-on connectors (2.8mm x 0.61mm).

<b>CURRENT RATING:</b>	<b>5A</b>
<b>TEMPERATURE RANGE:</b>	<b>-55°C to +100°C (ambient)</b>
<b>VOLTAGE PROOF:</b>	<b>2 KV a.c. rms</b>
<b>INSULATION RESISTANCE:</b>	<b>≥100 megohms</b>
<b>MATERIALS:</b>	<b>Insulator : Polycarbonate resin Contacts : Brass, silver plated</b>
<b>WEIGHT (AVERAGE):</b>	<b>7.7g</b>
<b>APPROVALS</b>	<b>None</b>

**ORDERING REFERENCE: L1932**



BLP reserve the right to change without prior notice the information contained within this leaflet

**BLP Components Ltd., Exning Road, Newmarket, Suffolk, CB8 0AX, England**  
Tel: +44 (0)1638 665161 Fax: +44 (0)1638 660718 email: [sales@blpcomp.com](mailto:sales@blpcomp.com) <http://www.blpcomp.com>