

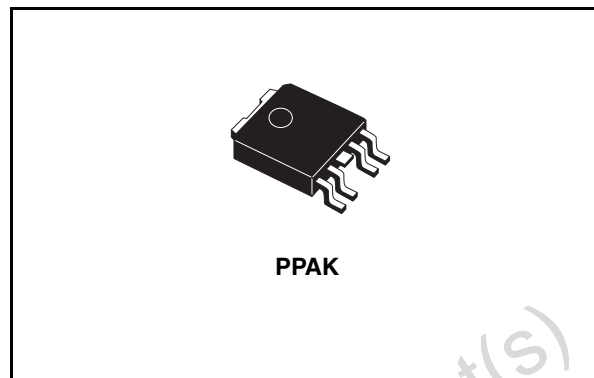


## L4987Cxx

### Very low drop voltage regulators with inhibit and dropout control flag

#### Features

- Very low dropout voltage (0.25 V typ.)
- Dropout control flag
- Very low quiescent current
- (Typ. 90 mA in OFF Mode, 500 mA in ON Mode)
- Output current up to 200 mA
- Logic-controlled electronic shutdown
- Output voltages of 3.3 V, 5 V
- Internal current and thermal limit
- Only 2.2  $\mu$ F for stability
- Available in  $\pm 2\%$  selection at 25°C
- Supply voltage rejection: 70 dB (typ.)



notebook) it is possible to use the flag to monitor the battery charge status through the dropout of the regulator.

#### Description

The L4987 is a very low drop regulator available in PPAK. The very low drop-voltage (0.5 V Max at 200 mA) and the very low quiescent current make it particularly suitable for low noise, low power applications, and in battery powered systems. The input dump protection up to 40 V makes it ideal for automotive applications. A shutdown Logic Control function is available (pin 2, TTL compatible). This means that when the device is used as a local regulator, it is possible to put a part of the board in standby, decreasing the total power consumption. The regulator employs an output pin (open collector) providing a logic signal when the pass transistor is in saturation at low input voltage, this signal can be used to prevent the pop-up phenomenon in the car radio. In battery powered systems (the cellular phone,

**Table 1. Device summary**

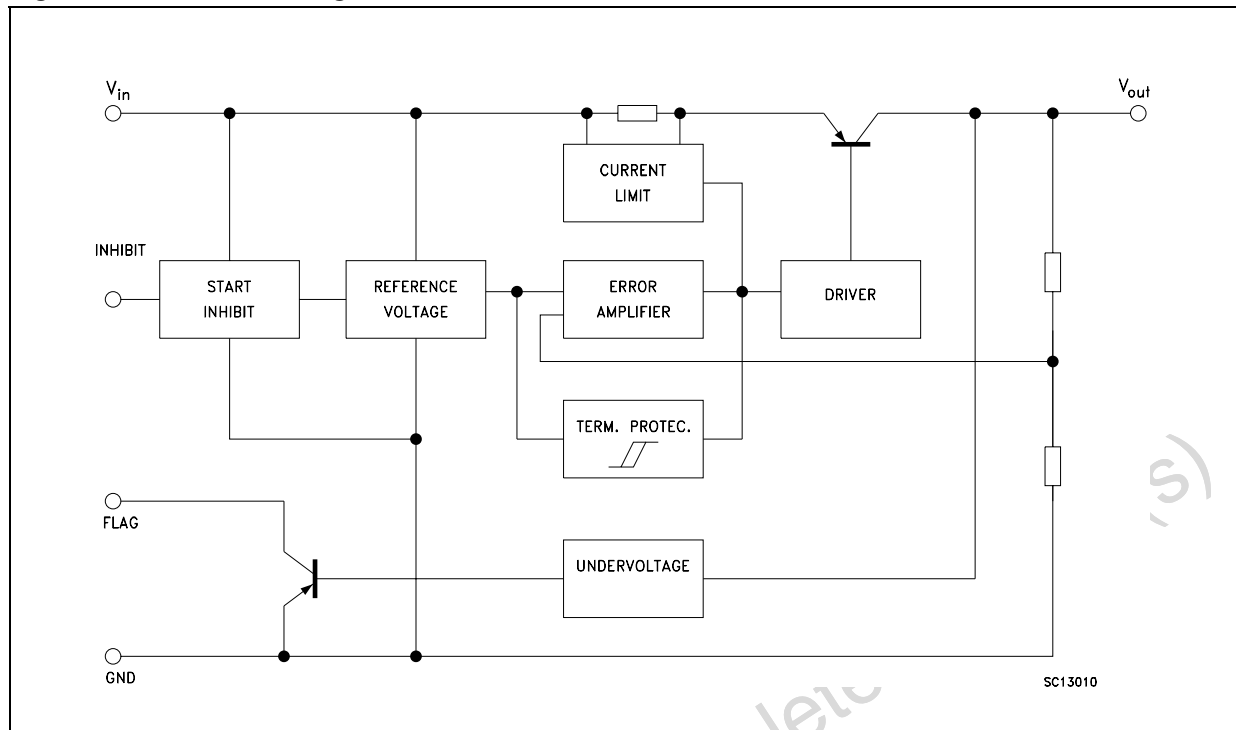
Part number	Order code	Output voltage
L4987Cxx33	L4987CPT33TR	3.3 V
L4987Cxx50	L4987CPT50TR	5.0 V

## Contents

1	Schematic diagram .....	3
2	Pin configuration .....	4
3	Maximum ratings .....	5
4	Electrical characteristics .....	6
5	Typical characteristics .....	8
6	Application hint of L4987CPT33 .....	9
	6.1 How to use the control flag .....	9
7	Test circuits .....	11
8	Package mechanical data .....	12
9	Revision history .....	15

# 1 Schematic diagram

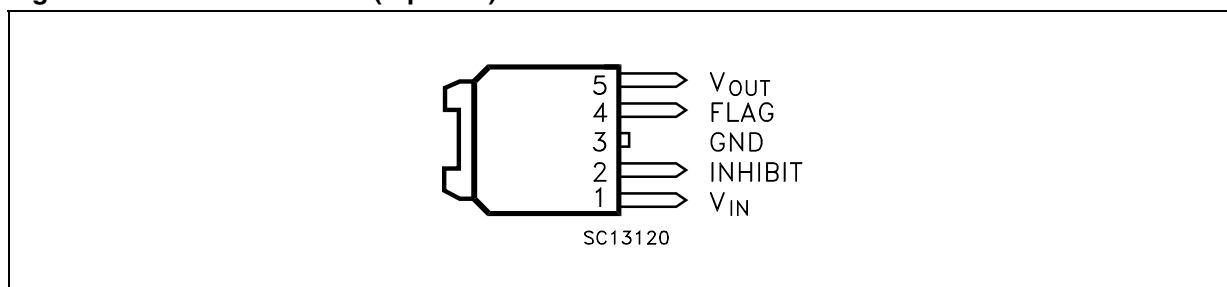
Figure 1. Schematic diagram



Obsolete Product(s) - Obsolete

## 2 Pin configuration

Figure 2. Pin connections (top view)



Obsolete Product(s) - Obsolete Product(s)

### 3 Maximum ratings

**Table 2. Absolute maximum ratings**

Symbol	Parameter	Value	Unit
$V_I$	DC Input voltage	40	V
$I_O$	Output current	Internally Limited	
$P_{tot}$	Power dissipation	Internally Limited	
$T_{stg}$	Storage temperature range	-40 to 150	°C
$T_{op}$	Operating junction temperature range	-40 to 125	°C

*Note: Absolute Maximum Ratings are those values beyond which damage to the device may occur. Functional operation under these condition is not implied*

**Table 3. Thermal data**

Symbol	Parameter	PPAK	Unit
$R_{thJC}$	Thermal resistance junction-case	8	°C/W
$R_{thJA}$	Thermal resistance junction-ambient	100	°C/W

## 4 Electrical characteristics

**Table 4. Electrical characteristics of L4987Cxx33** (refer to the test circuits,  $V_I = 6.3\text{ V}$ ,  $I_O = 5\text{ mA}$ ,  $T_J = 25^\circ\text{C}$ ,  $C_I = 0.1\text{ }\mu\text{F}$ ,  $C_O = 2.2\text{ }\mu\text{F}$  unless otherwise specified)

Symbol	Parameter	Test conditions	Min.	Typ.	Max.	Unit
$V_O$	Output voltage	$I_O = 200\text{ mA}$ , $V_I = 6.3\text{ V}$	3.234	3.3	3.366	V
		$I_O = 200\text{ mA}$ , $V_I = 6.3\text{ V}$ , $T_J = -40\text{ to }125^\circ\text{C}$	2.76		3.432	
$V_I$	Operating input voltage	$I_O = 200\text{ mA}$	4		18	V
$I_{out}$	Output current limit		250			A
$\Delta V_O$	Line regulation	$V_I = 4.6\text{ to }18\text{ V}$ , $I_O = 0.5\text{ mA}$		2.4	14	mV
$\Delta V_O$	Load regulation	$V_I = 4.4\text{ V}$ , $I_O = 0.5\text{ to }200\text{ mA}$		3	20	mV
$I_d$	Quiescent current ON MODE	$V_I = 4.6\text{ to }18\text{ V}$ , $I_O = 0\text{ mA}$		0.7	1	mA
		$V_I = 4.6\text{ to }18\text{ V}$ , $I_O = 200\text{ mA}$		1.5	6	
	OFF MODE	$V_I = 12\text{ V}$		90	180	$\mu\text{A}$
SVR	Supply voltage rejection	$I_O = 5\text{ mA}$ $V_I = 5.6 \pm 1\text{ V}$	$f = 120\text{ Hz}$		80	dB
			$f = 1\text{ KHz}$		75	
			$f = 10\text{ KHz}$		60	
$V_d$	Dropout voltage	$I_O = 200\text{ mA}$		0.25	0.5	V
		$I_O = 200\text{ mA}$ , $T_J = -40\text{ to }125^\circ\text{C}$			0.7	
$V_{IL}$	Control input logic low	$T_J = -40\text{ to }125^\circ\text{C}$			0.8	V
$V_{IH}$	Control input logic high	$T_J = -40\text{ to }125^\circ\text{C}$	2			V
$I_I$	Control input current			10		$\mu\text{A}$
$C_O$	Output bypass capacitance	ESR = 0.5 to 10 $\Omega$ , $I_O = 0\text{ to }200\text{ mA}$ $T_J = -40\text{ to }125^\circ\text{C}$	2	10		$\mu\text{F}$
$V_{FL}$	Control flag output low	$V_I - V_O < V_{CESAT\ power}$ , $I_{FL} = 6\text{ mA}$ $I_O = 200\text{ mA}$			0.5	V
$I_{FH}$	Control flag output high leakage current	$V_I > 4\text{ V}$ , $V_{OH} = 15\text{ V}$			10	$\mu\text{A}$

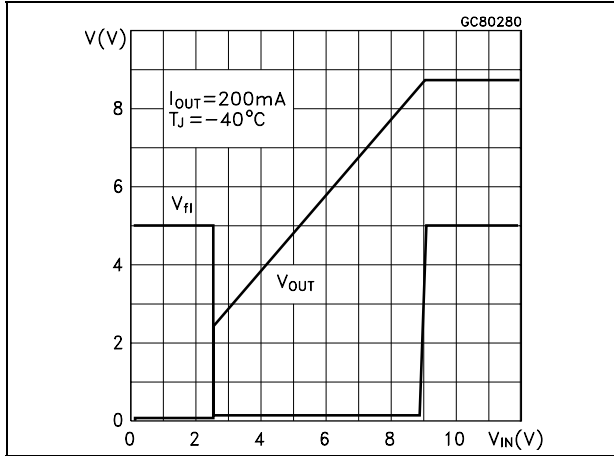
**Table 5. Electrical characteristics of L4987Cxx50** (refer to the test circuits,  $V_I = 8\text{ V}$ ,  $I_O = 5\text{ mA}$ ,  $T_J = 25^\circ\text{C}$ ,  $C_I = 0.1\ \mu\text{F}$ ,  $C_O = 2.2\ \mu\text{F}$  unless otherwise specified)

Symbol	Parameter	Test conditions	Min.	Typ.	Max.	Unit
$V_O$	Output voltage	$I_O = 200\text{ mA}$ , $V_I = 8\text{ V}$	4.9	5	5.1	V
		$I_O = 200\text{ mA}$ , $V_I = 8\text{ V}$ , $T_J = -40\text{ to }125^\circ\text{C}$	4.8		5.2	
$V_I$	Operating input voltage	$I_O = 200\text{ mA}$	5.7		18	V
$I_{out}$	Output current limit		250			A
$\Delta V_O$	Line regulation	$V_I = 6.3\text{ to }18\text{ V}$ , $I_O = 0.5\text{ mA}$		3	20	mV
$\Delta V_O$	Load regulation	$V_I = 6.3\text{ V}$ , $I_O = 0.5\text{ to }200\text{ mA}$		3	20	mV
$I_d$	Quiescent current ON MODE	$V_I = 6.3\text{ to }18\text{ V}$ , $I_O = 0\text{ mA}$		0.7	1	mA
		$V_I = 6.3\text{ to }18\text{ V}$ , $I_O = 200\text{ mA}$		1.5	6	
	OFF MODE	$V_I = 12\text{ V}$		90	180	$\mu\text{A}$
SVR	Supply voltage rejection	$I_O = 5\text{ mA}$ $V_I = 7.3 \pm 1\text{ V}$	$f = 120\text{ Hz}$		76	dB
			$f = 1\text{ KHz}$		71	
			$f = 10\text{ KHz}$		58	
$V_d$	Dropout voltage	$I_O = 200\text{ mA}$		0.3	0.5	V
		$I_O = 200\text{ mA}$ , $T_J = -40\text{ to }125^\circ\text{C}$			0.7	
$V_{IL}$	Control input logic low	$T_J = -40\text{ to }125^\circ\text{C}$			0.8	V
$V_{IH}$	Control input logic high	$T_J = -40\text{ to }125^\circ\text{C}$	2			V
$I_I$	Control input current			10		$\mu\text{A}$
$C_O$	Output bypass capacitance	ESR = 0.5 to 10 $\Omega$ , $I_O = 0\text{ to }200\text{ mA}$ $T_J = -40\text{ to }125^\circ\text{C}$	2	10		$\mu\text{F}$
$V_{FL}$	Control flag output low	$V_I - V_O < V_{CESAT\ power}$ , $I_{FL} = 6\text{ mA}$ $I_O = 200\text{ mA}$			0.5	V
$I_{FH}$	Control flag output high leakage current	$V_I > 5.85\text{ V}$ , $V_{OH} = 15\text{ V}$			10	$\mu\text{A}$

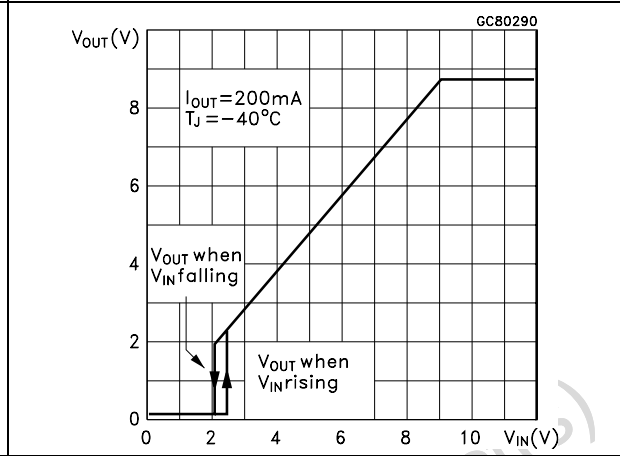
# 5 Typical characteristics

(Unless otherwise specified  $T_J = 25^\circ\text{C}$ ,  $C_I = C_O = 0.1 \mu\text{F}$ )

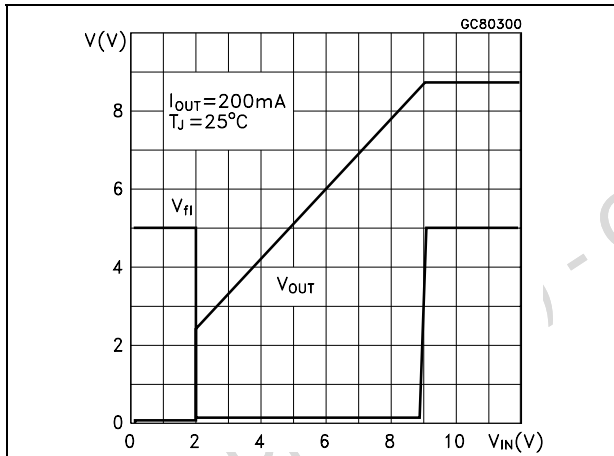
**Figure 3. Output and flag voltage vs input voltage**



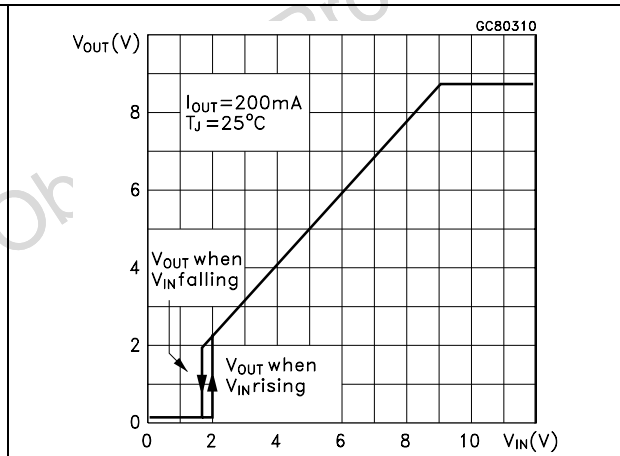
**Figure 4. Output voltage vs input voltage**



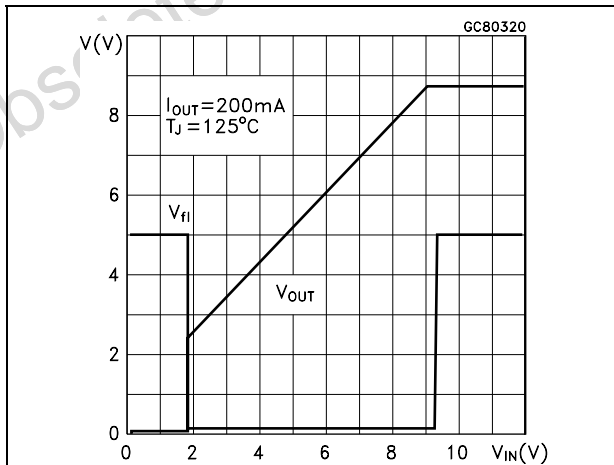
**Figure 5. Output and flag voltage vs input voltage**



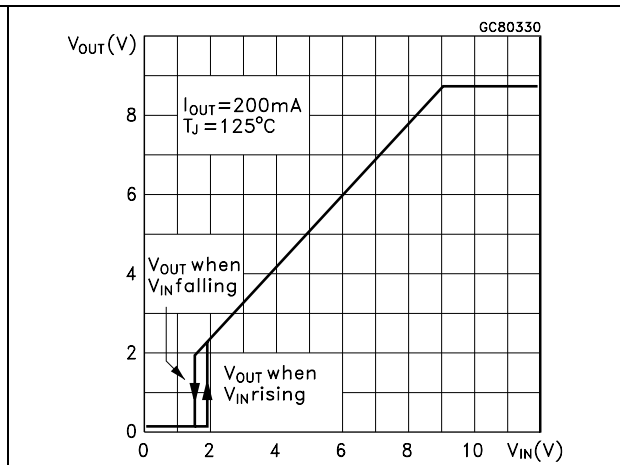
**Figure 6. Output voltage vs input voltage**



**Figure 7. Output and flag voltage vs inp. volt.**



**Figure 8. Output voltage vs input voltage**





## 6 Application hint of L4987CPT33

### 6.1 How to use the control flag

The flag produces a logic "low" whenever the output drops out of regulation. An "out of regulation condition can result from:

- 1) Low input voltage ( $V_{IN} \leq V_{OUT} + V_{DROP}$ )
- 2) Current limiting
- 3) Thermal limiting

*Figure 3.* to *Figure 4.* show the typical behavior of the output voltage and the control flag versus the input voltage and the temperature. No hysteresis is implemented; so the response of  $V_{OUT}$  and  $V_{FLAG}$  are the same either when the  $V_{IN}$  ramps up or down.

The control flag is an open collector which requires an external pull-up resistor. This may be connected to the regulator output (*Figure 11.*) or some other supply voltage (*Figure 12.*).

Using the regulator output prevents an invalid "high" on the flag which occurs if it is pulled up to an external voltage while the regulator input voltage is reduced below about 2 V (*Figure 13.*).

Concerning the pull-up resistor its value must be properly chosen as suggested below. When "low" as it is possible to see in *Figure 7.* the control flag voltage is:

$$V_{FLAG(LOW)} = V_{CE} = 0.5 = V_{SUPPLY} - R_{PULL} \times I_{FL}$$

$V_{SUPPLY}$  is chosen by design and, thus is known, while  $I_{FL}$  must be at maximum 10 mA.

$$\text{Then } 0.5 \text{ V} \geq V_{SUPPLY} - R_{PULL} \times 10 \text{ mA}$$

The minimum value of  $R_{PULL}$ , is, so, determined by the following equation:

$$R_{PULL(min)} \geq V_{SUPPLY} - 0.5/10 \text{ mA}$$

Regarding the maximum value of  $R_{PULL}$  note that its value depends of the type of logic used (CMOS, TTL etc.), the transistor leakage current and the presence or not of a load on  $V_{FLAG}$ .

The following example shows how to determine the  $R_{PULL}$  max in the case of CMOS logic, no load and 10  $\mu\text{A}$  (for L4987 it is the maximum value of  $I_{FH}$ ) of control flag leakage current.

Because of CMOS logic:

$$V_{FLAG(HIGH)} \geq 2/3 V_{SUPPLY}$$

but:

$$V_{FLAG(HIGH)} = V_{SUPPLY} - R_{PULL} \times I_{FH} \geq 2/3 V_{SUPPLY}$$

so, the maximum value is determined by the following equation:

$$R_{PULL(MAX)} \leq (1/3 V_{SUPPLY})/10 \text{ mA}$$

Figure 9. Output and flag voltage vs input

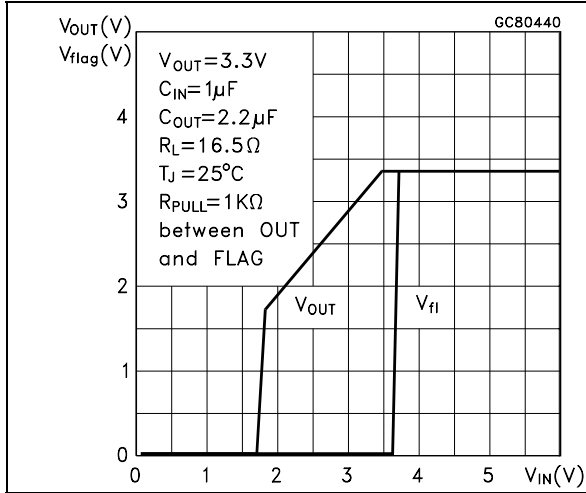
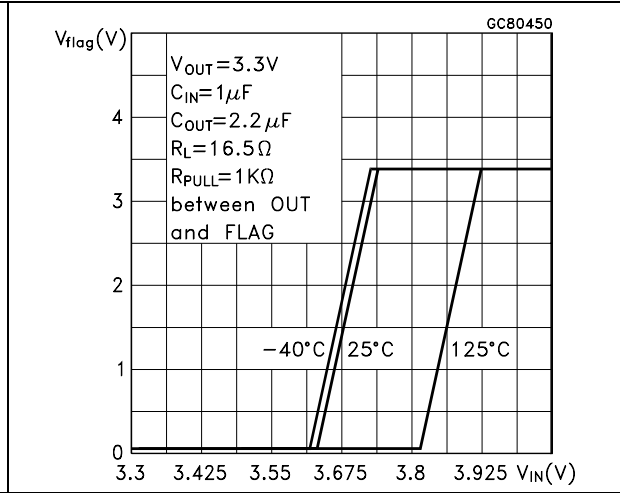


Figure 10. Flag voltage vs input



Obsolete Product(s) - Obsolete Product(s)

# 7 Test circuits

Figure 11. Test circuit

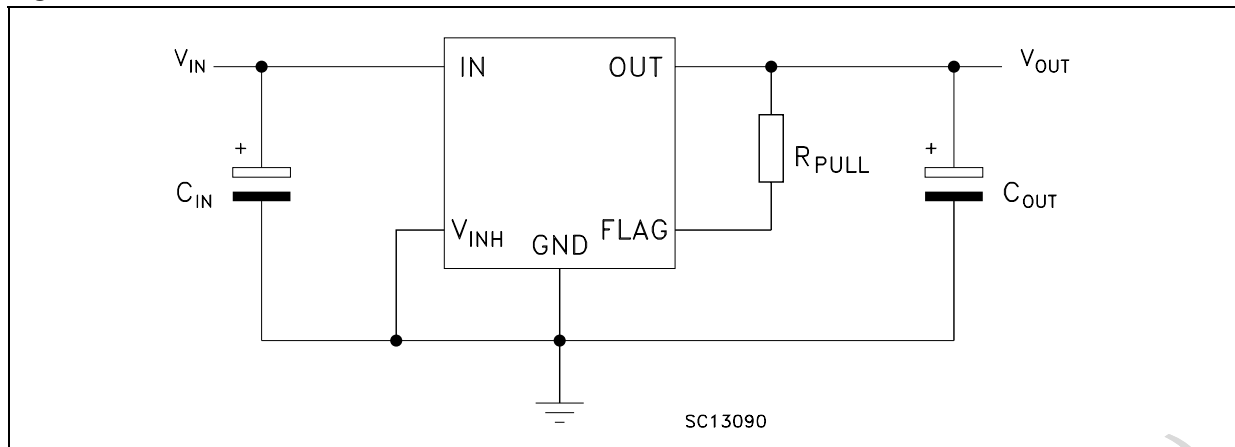


Figure 12. Single antenna receiver with master receiver port

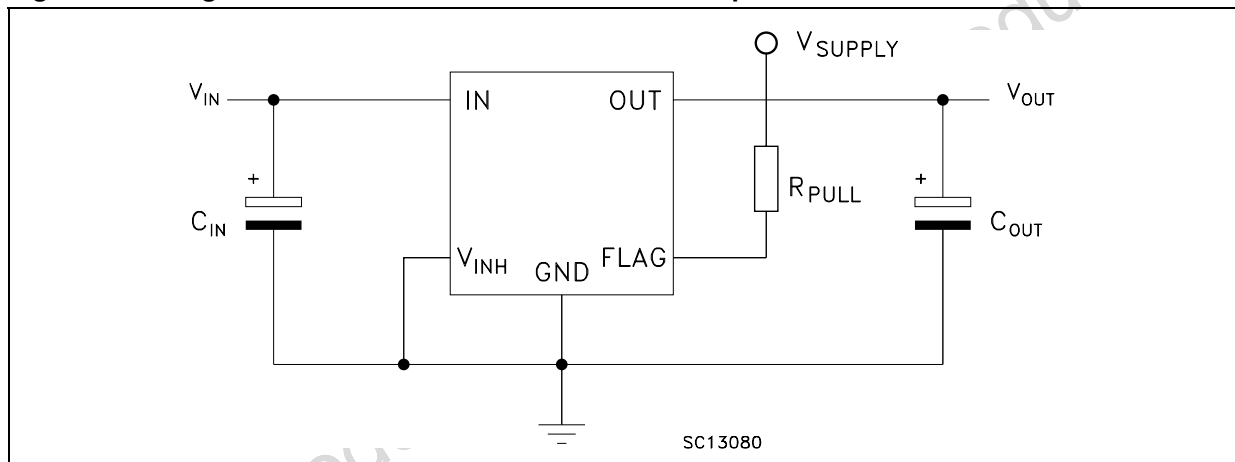


Figure 13. Equivalent output circuit

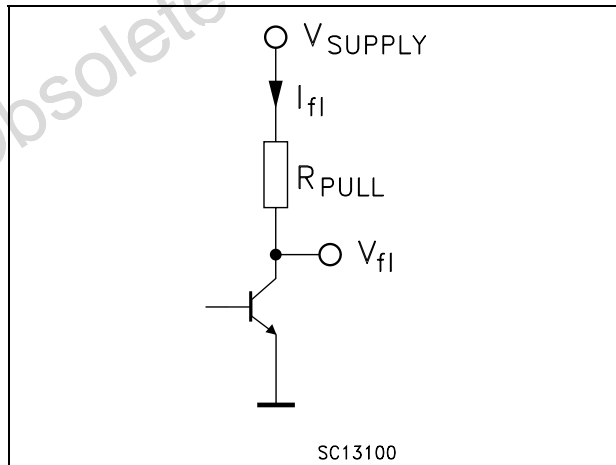
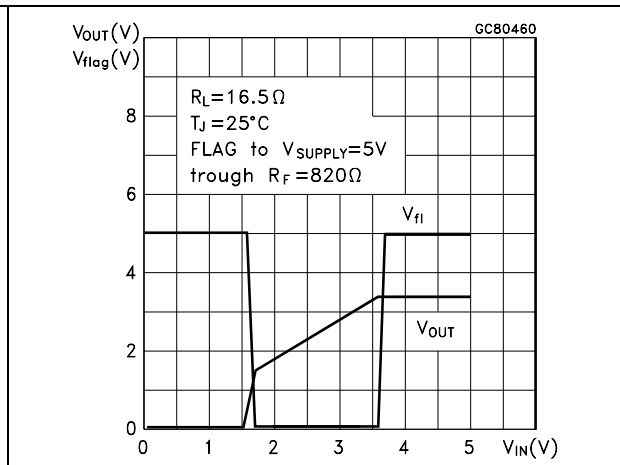


Figure 14. Output and flag voltage vs input



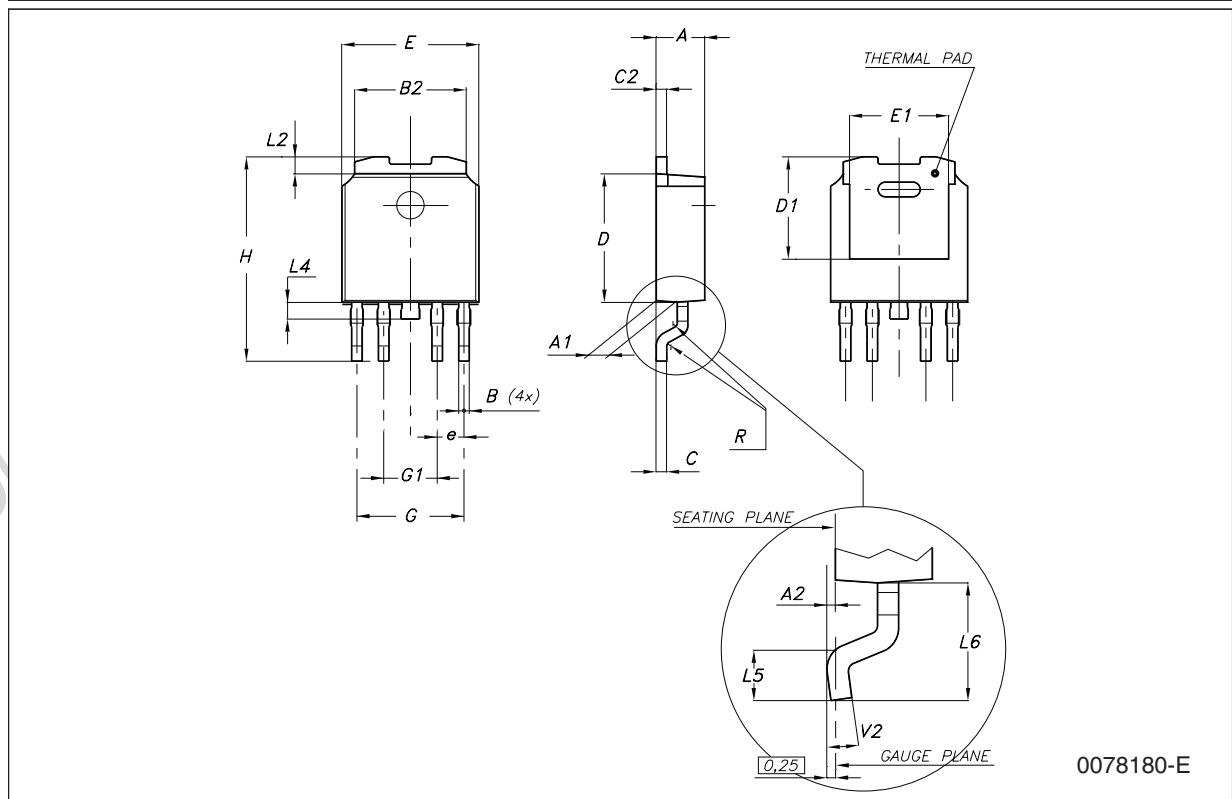
## 8 Package mechanical data

In order to meet environmental requirements, ST offers these devices in ECOPACK<sup>®</sup> packages. These packages have a Lead-free second level interconnect. The category of second Level Interconnect is marked on the package and on the inner box label, in compliance with JEDEC Standard JESD97. The maximum ratings related to soldering conditions are also marked on the inner box label. ECOPACK is an ST trademark. ECOPACK specifications are available at: [www.st.com](http://www.st.com).

Obsolete Product(s) - Obsolete Product(s)

**PPAK mechanical data**

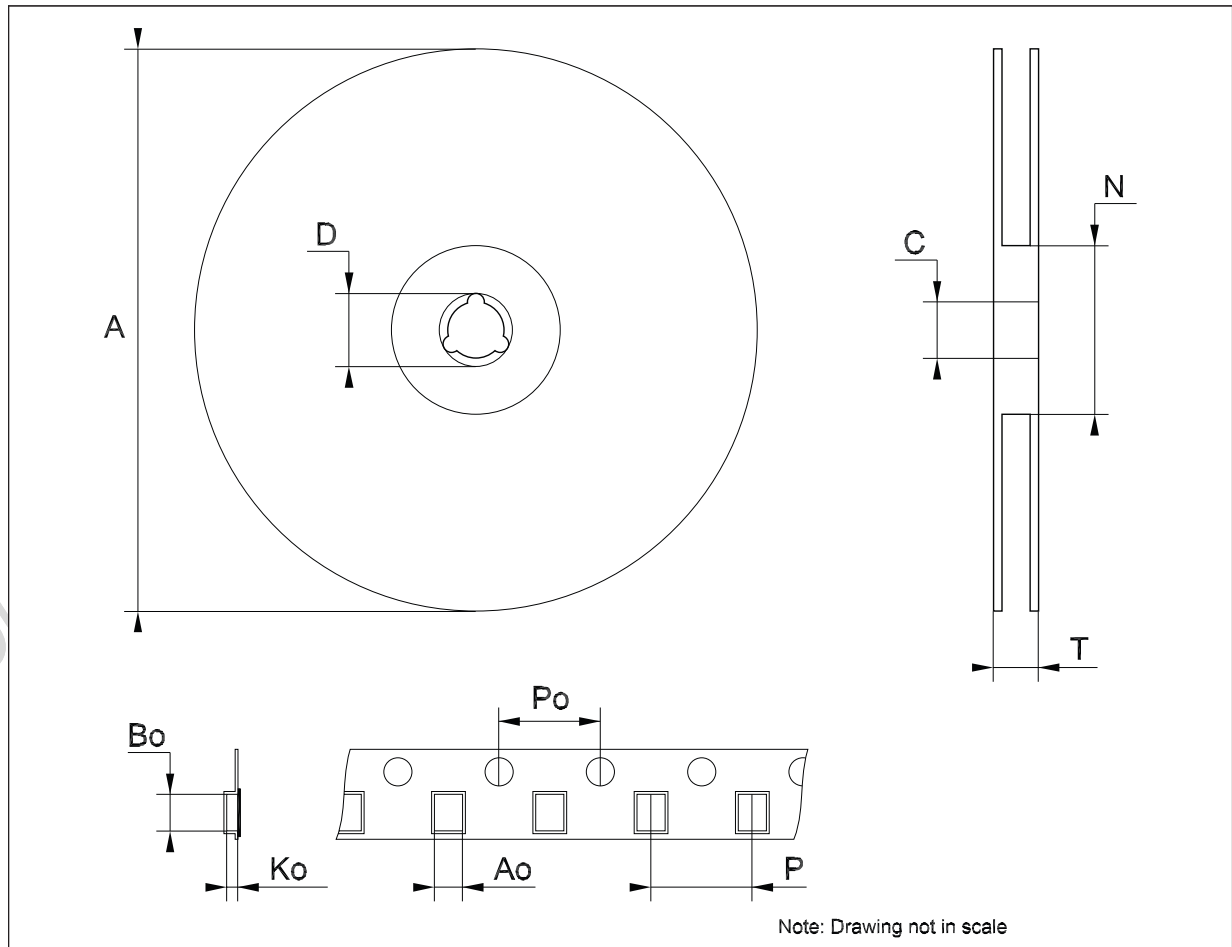
Dim.	mm.			inch.		
	Min.	Typ.	Max.	Min.	Typ.	Max.
A	2.2		2.4	0.086		0.094
A1	0.9		1.1	0.035		0.043
A2	0.03		0.23	0.001		0.009
B	0.4		0.6	0.015		0.023
B2	5.2		5.4	0.204		0.212
C	0.45		0.6	0.017		0.023
C2	0.48		0.6	0.019		0.023
D	6		6.2	0.236		0.244
D1		5.1			0.201	
E	6.4		6.6	0.252		0.260
E1		4.7			0.185	
e		1.27			0.050	
G	4.9		5.25	0.193		0.206
G1	2.38		2.7	0.093		0.106
H	9.35		10.1	0.368		0.397
L2		0.8	1		0.031	0.039
L4	0.6		1	0.023		0.039
L5	1			0.039		
L6		2.8			0.110	



0078180-E

**Tape & reel DPAK-PPAK mechanical data**

Dim.	mm.			inch.		
	Min.	Typ.	Max.	Min.	Typ.	Max.
A			330			12.992
C	12.8	13.0	13.2	0.504	0.512	0.519
D	20.2			0.795		
N	60			2.362		
T			22.4			0.882
Ao	6.80	6.90	7.00	0.268	0.272	0.276
Bo	10.40	10.50	10.60	0.409	0.413	0.417
Ko	2.55	2.65	2.75	0.100	0.104	0.105
Po	3.9	4.0	4.1	0.153	0.157	0.161
P	7.9	8.0	8.1	0.311	0.315	0.319



## 9 Revision history

**Table 6. Document revision history**

Date	Revision	Changes
22-Jun-2004	4	$V_O$ min and $V_O$ max values in Table 5, pag. 4 have been corrected.
04-Sep-2006	5	The $I_{FH}$ value on table 7 has been updated and new template.
26-Sep-2007	6	Add <a href="#">Table 1</a> . in cover page.

Obsolete Product(s) - Obsolete Product(s)

**Please Read Carefully:**

Information in this document is provided solely in connection with ST products. STMicroelectronics NV and its subsidiaries ("ST") reserve the right to make changes, corrections, modifications or improvements, to this document, and the products and services described herein at any time, without notice.

All ST products are sold pursuant to ST's terms and conditions of sale.

Purchasers are solely responsible for the choice, selection and use of the ST products and services described herein, and ST assumes no liability whatsoever relating to the choice, selection or use of the ST products and services described herein.

No license, express or implied, by estoppel or otherwise, to any intellectual property rights is granted under this document. If any part of this document refers to any third party products or services it shall not be deemed a license grant by ST for the use of such third party products or services, or any intellectual property contained therein or considered as a warranty covering the use in any manner whatsoever of such third party products or services or any intellectual property contained therein.

**UNLESS OTHERWISE SET FORTH IN ST'S TERMS AND CONDITIONS OF SALE ST DISCLAIMS ANY EXPRESS OR IMPLIED WARRANTY WITH RESPECT TO THE USE AND/OR SALE OF ST PRODUCTS INCLUDING WITHOUT LIMITATION IMPLIED WARRANTIES OF MERCHANTABILITY, FITNESS FOR A PARTICULAR PURPOSE (AND THEIR EQUIVALENTS UNDER THE LAWS OF ANY JURISDICTION), OR INFRINGEMENT OF ANY PATENT, COPYRIGHT OR OTHER INTELLECTUAL PROPERTY RIGHT.**

**UNLESS EXPRESSLY APPROVED IN WRITING BY AN AUTHORIZED ST REPRESENTATIVE, ST PRODUCTS ARE NOT RECOMMENDED, AUTHORIZED OR WARRANTED FOR USE IN MILITARY, AIR CRAFT, SPACE, LIFE SAVING, OR LIFE SUSTAINING APPLICATIONS, NOR IN PRODUCTS OR SYSTEMS WHERE FAILURE OR MALFUNCTION MAY RESULT IN PERSONAL INJURY, DEATH, OR SEVERE PROPERTY OR ENVIRONMENTAL DAMAGE. ST PRODUCTS WHICH ARE NOT SPECIFIED AS "AUTOMOTIVE GRADE" MAY ONLY BE USED IN AUTOMOTIVE APPLICATIONS AT USER'S OWN RISK.**

Resale of ST products with provisions different from the statements and/or technical features set forth in this document shall immediately void any warranty granted by ST for the ST product or service described herein and shall not create or extend in any manner whatsoever, any liability of ST.

ST and the ST logo are trademarks or registered trademarks of ST in various countries.

Information in this document supersedes and replaces all information previously supplied.

The ST logo is a registered trademark of STMicroelectronics. All other names are the property of their respective owners.

© 2007 STMicroelectronics - All rights reserved

STMicroelectronics group of companies

Australia - Belgium - Brazil - Canada - China - Czech Republic - Finland - France - Germany - Hong Kong - India - Israel - Italy - Japan - Malaysia - Malta - Morocco - Singapore - Spain - Sweden - Switzerland - United Kingdom - United States of America

[www.st.com](http://www.st.com)