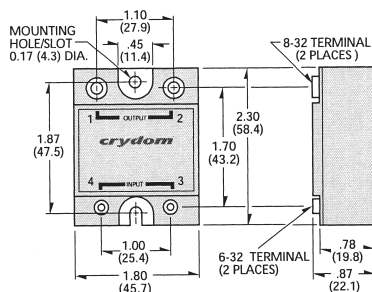


SERIES 1-DC PANEL MOUNT SSRs 7-40 AMP, 0-100 VDC, DC OUTPUT

DC output relays feature MOSFET technology for low on-state resistance, assuring easy paralleling and switching capabilities to 40 amps at 100 Vdc. All models come in Crydom's standard panel-mount package. Operating temperature: -20°C to 80°C. Dielectric strength 60Hz: 2500 Vrms. Max. capacitance input/output: 50 pF. Encapsulation: Thermally conductive epoxy. Terminals: Screws and saddle clamps furnished, unmounted. **FEATURES:** MOSFET output. Low on-state resistance. Paralleling capability for higher currents. Approvals: UL and CE.

Cat. No.	Operating Voltage Range (Vdc)	Load Current Range (A dc)	Control Voltage Range (Vdc)	Surge Current 10ms (A dc)	Net Price
D1D07	0-100	7	3.5-32	15	\$51.16
D1D12	0-100	12	3.5-32	28	56.55
D1D20	0-100	20	3.5-32	42	61.97
D1D40	0-100	40	3.5-32	106	76.98

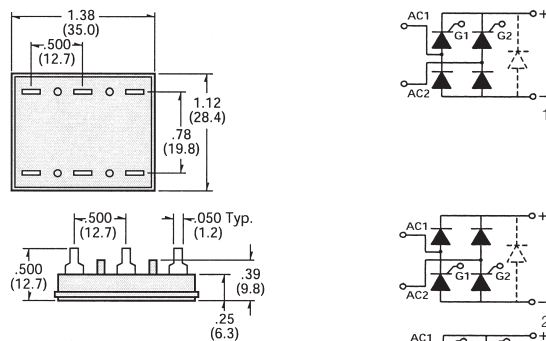


SERIES RPC SOLID STATE PROPORTIONAL CONTROLLER 15-40AMP, 120/240, 480VAC, AC OUTPUT

The RPC Series proportional controllers provide a cost effective method of controlling power in many applications such as heaters, universal motors or incandescent lamps. A customer provided potentiometer is all that is required for control. All modules are supplied with KS100 protective cover. Operating temperature: -30°C to 80°C. Dielectric strength, all terminals to base: 2500 Vrms. Encapsulation: Thermally conductive epoxy. Terminals: Screws and saddle clamps furnished, unmounted. **FEATURES:** Industrial standard package. Uses potentiometer for economical power control.

Cat. No.	Operating Voltage Range (Vac)	Load Current Range (Arms)	Off-State Leakage (mA)	Surge Current 1-Cycle (A pk)	Internal Snubber	Net Price
RPC1225	90-130	25	10	250	Yes	\$85.82
RPC1240	90-130	40	10	625	Yes	117.06
RPC2425	200-240	25	7	250	Yes	89.78
RPC2440	200-240	40	7	625	Yes	124.86
RPC4825	400-480	25	3	250	No	101.44
RPC4840	400-480	40	3	625	No	136.52

WARNING: Control to load is not isolated, exercise care in handling this product to avoid the risk of electric shock.

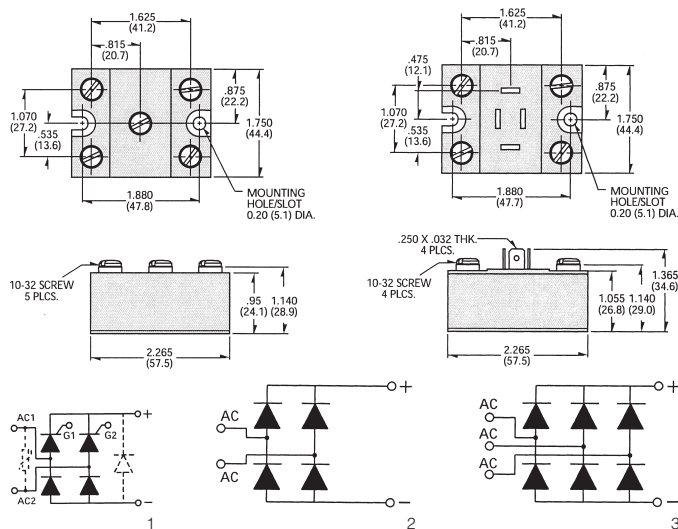


SERIES L POWER MODULES PCB MOUNT 25-42.5 AMP, SCR/DIODE MODULE

Operating temperature: -40°C to +125°C. Isolation voltage: 2500 V_{RMS}. **FEATURES:** Low profile. Designed for PCB connections. Approval: UL.

Cat. No.	Circuit Fig. No.	AC Line Input Voltage (Vac)	Repetitive Peak Rev. Voltage (V _{RRM})	Max. Non-Repetitive Surge Current (I _{SM})	Net Price
25 AMPS					
L512	1	240	600	300	\$22.20
L512F	1	240	600	300	23.19
L513	1	280	800	300	26.27
L513F	1	280	800	300	27.18
L514	1	480	1200	300	29.95
L522F	2	240	600	300	23.19
L542	4	240	600	300	35.35
L543	4	280	800	300	40.74
L544	4	480	1200	300	44.24
42.5 AMPS					
L612F	1	240	800	600	36.37
L613F	1	280	800	600	38.18
L614F	1	480	1200	600	40.74
L621F	2	120	400	600	31.86
L622F	2	240	600	600	36.32

NOTE: Suffix F in Cat. No. = Free wheeling diode.



SERIES M50 POWER MODULES PANEL MOUNT 50-100 AMP, SCR/DIODE MODULE

Operating temperature: -40°C to +125°C. Isolation voltage: 2500 V_{RMS}. **FEATURES:** Over 40KW output capability. High surge current rectifier circuits. Approval: UL.