

**4.5 – 5.5V DISK DRIVER SPINDLE & VCM,
POWER & CONTROL COMBO'S****GENERAL**

- 5V OPERATION. *REGISTER BASED ARCHITECTURE
- MINIMUM EXTERNAL COMPONENTS
- SLEEP AND IDLE MODES FOR LOW POWER CONSUMPTION
- SELECTABLE GAINS FOR BOTH V.C.M. AND SPINDLE
- 10 BIT (+ SIGN + GAIN) VCM & 8 BIT SPINDLE DACs
- HIGH BANDWIDTH SPEED REGULATION LOOP (ONCE PER MECH/ELEC CYCLE ACCURACY)

VCM DRIVER

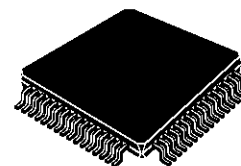
- CURRENT SENSE CONTROL (VOLTAGE PROPORTIONAL TO CURRENT)
- 300mA DRIVE CAPABILITY
- TWO CURRENT RANGES FOR SEEKING AND TRACKING
- INTERNAL REGISTER FOR POWER AMP CONTROL LINES

SPINDLE DRIVER

- BEMF PROCESSING FOR SENSORLESS MOTOR COMMUTATION
- PROGRAMMABLE COMMUTATION PHASE DELAY
- PROGRAMMABLE SLEW-RATE FOR REDUCED E.M.I.
- 0.8Ω FOR ANY HALF BRIDGE WORST CASE
- SYNCHRONOUS RECTIFICATION OF THE B.E.M.F. DURING RETRACT OPERATION
- BIPOLAR \ TRIPOLAR OPERATION
- SYNTHESIZED HALL OUTPUTS
- 1.0 AMP DRIVE CAPABILITY

OTHER FUNCTIONS

- POWER UP SEQUENCING
- POWER DOWN SEQUENCING
- LOW VOLTAGE SENSE
- ACTUATOR RETRACTION
- DYNAMIC BRAKE
- THERMAL SHUTDOWN

BICMOS TECHNOLOGY**TQFP64****ORDERING NUMBER: L6260**

- THERMAL & CURRENT PROTECTION

DESCRIPTION

The L6260 is single chip sensorless (DC) spindle motor and voice coil controllers including power stages suitable for use in small disk drives.

These devices have a serial interface for a micro-processor running up to 10 Mega bits per second. There are registers on chip to allow the setting of the desired spindle speed via the on chip Frequency Locked Loop (F.L.L.). No external components are required in the sensor-less operation as the control functions are integrated on chip (e.g. B.E.M.F. processing, digital masking, digital delay and sequencing).

The V.C.M. drivers uses a transconductance amplifier, able to provide 2 different current ranges, suitable for seeking and tracking.

When a low voltage is detected, a Power On Reset (P.O.R.) is issued and the internal registers are reset, the spindle power circuitry is tri-stated, B.E.M.F. synchronous rectification is enabled, the actuator retracts and then dynamic braking of the spindle is applied.

These devices are built in BICMOS technology allowing dense digital circuitry to be combined with MOS \ Bipolar power devices.

PIN DESCRIPTION

Pin Types: I = Input, O = Output, P = Power, A = Analog (passive)

Power

PIN #	PIN NAME	DESCRIPTION	PIN TYPE	I/O MAPPED?	TRI-STATE @SLEEP/@POR
8	VDC	Digital power. Positive nominally 5V or 3V	AI	No	No
41	VCC	Analog power. Positive nominally 5V or 3V	AI	No	No
54	VVCM_1	VCM power supply. Positive nominally 5V or 3V	AI	No	No
58	VVCM_2	Same as above	AI	No	No
23	VSPIN_1	Spindle power pin. Positive nominally 5V or 3V	AI	No	No
31	VSPIN_2	Same as above	AI	No	No
1	GND	Ground	AI	No	No
15-17	GND	Ground	AI	No	No
32-34	GND	Ground	AI	No	No
47-49	GND	Ground	AI	No	No
18	SPN_GND_1	Ground for spindle circuit	AI	No	No
27	SPN_GND_2	As above	AI	No	No
44	DAC_GND	Ground for all DACs	AI	No	No
45	AGND	Analog ground	AI	No	No
7	DIG_GND	Digital ground	AI	No	No
63	TRIPGND	Voltage tripler ground	AI	No	No

Serial Interface & Test Pins

PIN #	PIN NAME	DESCRIPTION	PIN TYPE	I/O MAPPED?	TRI-STATE @SLEEP/@POR
12	FCLK	System clock. 4-12MHz selectable via the CLK_PRESCALE bit in the System Control Register B (Reg 4 Bit 4).	DI	Yes	No
11	SDIO	Serial port data I/O running up to 10MHz. For full details of all serial port signals see the Circuit Description section.	DI/O	Yes	Yes
10	SCLK	Serial port clock (max 10Mbps/s)	DI	Yes	No
19	R/W	Read / Write signal for serial interface	DI	Yes	No
9	SLOAD	Chip select input.	DI	Yes	No
21	TEST	Used to enable one of the test modes. The mode is selected in conjunction with the TRISTATE pin (see below for more details).	DI	No	No
24	TRISTATE	Used to enable one of the test modes. The mode is selected in conjunction with the TEST pin (see below for more details). This pin has no effect on the spindle or VCM drivers, this is a test pin only.	DI	No	No
60	ATEST	Analog test pin. This pin carries the required analog signal to allow external testing.	AO	No	No
26	DTEST	Digital Test Output Pin. This pin also doubles as the Clock input if an external FLL is used.	DI/O	No	No

Test Mode	TEST pin	TRISTATE pin
IOMAPPING Test	1	0
DIGITAL Test*	1	1
ANALOG Test*	1	1
TRISTATE Test	0	1
Normal Operation (non test mode)	0	0

For a detailed description please refer to the Test Circuit section of the CIRCUIT OPERATION portion of this datasheet

* These two test modes operate simultaneously through separate test pins (ATEST and DTEST).

PIN DESCRIPTION (continued)

Pin Types: I = Input, O = Output, P = Power, A = Analog (passive)

VCM Driver and DAC

PIN #	PIN NAME	DESCRIPTION	PIN TYPE	IO MAPPED?	TRI-STATE @SLEEP/@POR
53	VCM_I_SNS1	High side of VCM sense resistor network. This pin provides the current to the network as well as sensing the total voltage across both sense resistors. Sensing the total drop across both resistors results in the low transconductance gain feedback used for track following.	A	No	No
56	VCM_I_SNS2	Sensing across the lower VCM sense resistor for high transconductance gain feedback for seek operations.	A	No	No
6	VCM_COMP	VCM compensation network. Typically, 200K Ω in series with 100nF is connected from this pin to Ground.	A	No	No
57	VCM_PLUS	VCM Power Amplifier positive output terminal	A	No	No
55	VCM_MINUS	VCM Power Amplifier negative output terminal	A	No	No
46	PARK_V	A resistor connected between this pin and VCM_PLUS determines the Parking Voltage	A	No	No
35	VPARKOUT	Output from the retract circuit. This pin is usually directly connected to the VCM_MINUS.	AO	No	No

Spindle Driver and DAC

PIN #	PIN NAME	DESCRIPTION	PIN TYPE	IO MAPPED?	TRI-STATE @SLEEP/@POR
40	SPN_SLEW	The External Spindle Driver Slew Rate resistor (Rslew), typically 250K is connected from this pin to Ground. When in nExternal Slew Rate Mode (System Control Register B, Bit 10=0), the slew rate is determined by: Slew Rate = (0.5V to Rslew) X (DAC slew +1) +20pF DAC slew = System Control Register bits 7 - 9.	A	No	No
36	SPN_I_COMP	A series RC network from this pin to ground sets the spin driver compensation. Typical a single 4nF capacitor will provide adequate compensation.	A	No	No
14	SPN_I_SNS	A current sensing resistor (2.5K Ω Typical) is connected from this pin to ground. See the Circuit Operation section for details.	AO	No	No
20	COIL_A	Spindle Power Amplifier output A. Also serves as BEMF sensing for Phase A.	A	No	No
25	COIL_B	Spindle Power Amplifier output B. Also serves as BEMF sensing for Phase B.	A	No	No
29	COIL_C	Spindle Power Amplifier output C. Also serves as BEMF sensing for Phase C.	A	No	No
59	CTAP	Spindle Motor Center Tap connection	A	No	No
22	SYNTH_HALL	CMOS level spindle speed output. When SYNHALL (System Control Register B, bit 5) is set to 0, this output switches state at every zero crossing of any phase. With SYNHALL = 1, the output only switches every zero crossing of Phase A.	DO	Yes	Yes
37	SPD_COMP	Charge Pump RC network connection pin for FLL mode operation.	A	No	No
38	SPD_COMP_SHT	This pin allows for shorting of to the Charge Pump Network resistor. This operation provides a quick charge on the Charge Pump capacitor, reducing settling time once desired speed is reached. Operation is controlled by bit 9 of System Control Register A.	A	No	No
39	FLL_RES	Frequency Locked Loop charge pump gain resistor. (Rep), typically 12.5K Ω , is connected from this pin to Ground. Charge Pump current is determined by: $I = (0.5V \text{ to } R_{cp}) \times (FLLGAIN \text{ DAC} + 1)$ FLLGAIN DAC = System Control Register B bits 0-4	A	No	No

PIN DESCRIPTION (continued)

Pin Types: I = Input, O = Output, P = Power, A = Analog (passive)

Power down sequencing, POR, other voltage pins

PIN #	PIN NAME	DESCRIPTION	PIN TYPE	IO MAPPED?	TRI-STATE @SLEEP/@POR
13	VRECT	Output of the synchronous rectifier supplying power to the retract circuitry. Filtered by an internal 400pF capacitor. Normally not externally connected. However, if retract command is to be used, a small signal silicon diode must be connected between this pin and Vcc (Cathode to VRECT) to supply the additional current which may be required to brake the VCM.	AO	No	No
28	BRK_DLY	An external parallel RC network from this point to ground sets the Brake dELAY: $T = 0.45 RC$. Typical values are $R = 4M\Omega$, $C = 0.1\mu F$ (0.16sec, delay).	A	No	No
30	VPDOWN	Voltage tripler reservoir capacitor. This is used for the brake operation when power is removed from the chip. No DC load allowed. $1\mu F$ minimum, $10\mu F$ preferred.	A	No	No
61	C1HIGH	Positive terminal of charge pump capacitor. 10nF (typ) for Tripler operation; 330nF (typ) or Doubler operation	A	No	No
62	C1LOW	Negative terminal of charge pump capacitor. 10nF (typ) for Tripler operation; 330nF (typ) or Doubler operation	A	No	No
64	C2HIGH	Positive terminal of charge pump capacitor for Tripler operation. 330nF (typ). Connected to VHRTRIP for Doubler operation.	A	No	No
2	C2LOW	Negative terminal of charge pump capacitor for Tripler operation. 330nF (typ). Not connected for Doubler operation.	A	No	No
52	POR_DLY	An external capacitor from this pin to ground sets the duration of POR after power has been re-established. $T (por) = 32 \times C (por)$ where: $C (por)$ is in pF and T is expressed in μs .	A	No	No
5	POR	Power On Reset. This open drain output goes low when the voltage at either UV1 or UV2 goes below 1.25V.	DO	Yes	No
50	UV1	Under voltage detector 1. This defines the VOLTAGE GOOD threshold by comparing the voltage on this pin to the internal 1.25V reference. An external resistor divider network and capacitor filter provides the selection of threshold and supply noise rejection. There is an internal pull-up ($2\mu A$ max). Hysteresis is 20mV.	AI	Yes	No
51	SPN_DSBL_DLY	Spindle Disable Delay. A capacitor connected between this pin and Vcc programs the delay between POR and the disabling of the Spindle section.. Delay = $80 \times C$ (C in pF; Delay in μs)	AI	Yes	No
4	VHTRIP	High tripler/Doubler output. 330nF (typ). 11V max.	AO	No	No
3	VLTRIP	Low tripler/Doubler output. 330nF (typ). for stability.	AO	No	No

PIN DESCRIPTION (continued)

Pin Types: I = Input, O = Output, P = Power, A = Analog (passive)

Auxiliary Functions

PIN #	PIN NAME	DESCRIPTION	PIN TYPE	IO MAPPED?	TRI-STATE @SLEEP/@POR
42	REFOUT	Output from auxiliary OPAMP.	A	No	No
43*	VREF_MINUS (L6260 only)	Negative input to auxiliary OPAMP. This is present ONLY on the L6260.	A	No	No
26	EXTFL/ DTEST	See previous description of this pin (Serial interface & Test Pin section).	DI/O	No	No

ABSOLUTE MAXIMUM RATINGS

Symbol	Parameter	Value	Units
$V_{dd}, V_{p\ max}$	Maximum Supply voltage	6.5	V
$V_{in\ max}$	Maximum input voltage	$V_{dd} + 0.3\ V$	V
$V_{in\ min}$	Minimum input voltage	GND - 0.5 V	V
I_{peak}	Peak sink/source output current	1.5	A
I_{dc}	DC sink source output current	1.0	A
P_{tot}	Maximum Total Power Dissipation	1.0	W
T_{stg}, T_j	Maximum storage/junction temperature	-40 to 150	°C

POWER DISSIPATION

Symbol	Parameter	Test Condition	Min.	Typ.	Max.	Units
V_{dd}, V_p	Supply voltage range		4.5		5.5	V
READY	QUIESCENT CURRENT	VCM ENABLED SPINDLE ENABLED			20	mA
IDLE	QUIESCENT CURRENT	VCM DISABLED SPINDLE ENABLED			10	mA
SLEEP	QUIESCENT CURRENT	VCM DISABLED SPINDLE DISABLED			5	mA

THERMAL DATA

Symbol	Parameter	Value	Unit
$R_{th\ j-case}$	Thermal Resistance Junction to Case	10	°C/W
$R_{th\ j-amb} (*)$	Thermal Resistance Junction to Case	41.5	°C/W

(*) In typical application with multilayer printed circuit board.

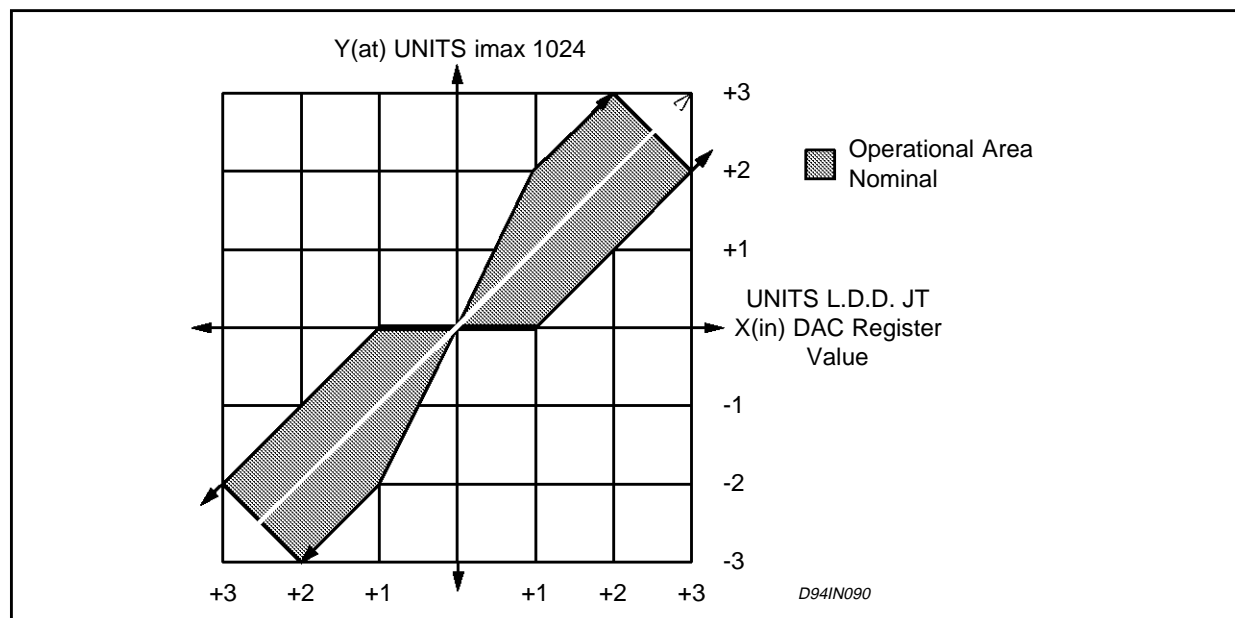
RECOMMENDED OPERATING CONDITIONS

Symbol	Parameter	Value	Unit
V_{ddn}	Supply Voltage	4.5 to 5.5	V
T_{amb}	Operating Ambient Temperature	0 to 70	°C
T_j	Junction Temperature	0 to 125	°C

ELECTRICAL CHARACTERISTICS

VCM Driver

Symbol	Parameter	Test Condition	Min.	Typ.	Max.	Units
I_{ocr}	Max Current Coarse Range				300	mA
I_{ofr}	Max Current Fine Range				75	mA
R_{dson} ABEF	Source & Sink On Resistance Coarse	$T_j = 125^\circ\text{C}$, $I_{load} = 300\text{ mA}$		1.0	2.5	Ohms
R_{dson} CD	Sink On Resistance Fine Range	C, D VCM drive transistors		5.0	10.0	Ohms
V_{jump}	Current Sense Jump Discontinuity				1	LSB
$V_{deadband}$	Current Sense Deadband				200	μV
I_{csbias}	Current Sense Bias Current				1	μA
PSRR	DC Power Supply Rejection Ratio	V_{dd} 4.5 to 5.5 V	50			dB
BW	Current Loop Bandwidth	$L_a = 1\text{mH}$ $R_a = 40\text{ohms}$ $I_{max} = 75\text{mA}$	20			KHz

Figure 1: V_{jump} vs. Deadband

VCM DAC

Symbol	Parameter	Test Condition	Min.	Typ.	Max.	Units
R_{es}	Resolution 10 Bits Resistive Ladder Plus Sign (1 Bit)	Unipolar		11		bits
N.L.	Differential Non-Linearity				1	LSB
I.N.L.	Integral Non - Linearity				3.0	LSB
C_T	Conversion Time 0 - 90 %	From Input Of Last Bit (for any change of code)			1.0	μs
FSTC	Full Scale Temperature Coefficient	0 to 125°C			250	ppm/C
V_{oh}	High Output Voltage	25°C , No Load	0.240	0.250	0.260	V
V_{ol}	Low output Voltage	25°C , No Load			100	μV
PSRR	Power Supply Rejection		50			dB

ELECTRICAL CHARACTERISTICS (continued)**Spindle Motor**

Symbol	Parameter	Test Condition	Min.	Typ.	Max.	Units
I_o	Maximum Output Current		1			A
R_{dson} Sink	Sink On Resistance	$T_j = 125^\circ\text{C}$, $I_{load} = 1\text{A}$			0.4	Ohms
R_{dson} Total	Total drive resistance R_{dson} sink + R_{dson} source	$T_j = 125^\circ\text{C}$, $I_{load} = 1\text{A}$			0.8	Ohms
dv/dt	Voltage Slew Rate		0.2		2	V/ μs

Spindle Current Sense FET

linearity Large signal	Current sense circuit linearity (spin-up). 2000:1 current sense.	1% to full scale current			5	%FS
Linearity small signal	Current sense circuit linearity(at speed). 500:1 current sense.	1% to 10% full scale			0.5	%
BW	Current loop bandwidth small signal (at speed)	L_{motor} 100 μH to 1 μH	20			KHz
FS	Full scale current error				5	%FS
matching	Current sense matching	25 to 250 mA			5	%

DAC Acceleration Control

res	Resolution	Full scale			8	bits
NL	Differential Non-linearity				0.5	LSB
INL	Integral Non-linearity				1	LSB
FS	Full scale accuracy				5	%
CT	Conversion time				10	ms
FSTC	Full Scale Temp Coefficient				250	ppm/ $^\circ\text{C}$
V_{oh}			1.235	1.25	1.245	V
V_{ol}			0	0.2	0.3	V
Gain1X	Current Sense Gain at 500:1		502	525	554	
Gain5X	Current Sense Gain at 2500:1		2400		2900	

Step-up Converter

V_{su3}	Step-up converter voltage (using Tripler as a doubler) above 5V.	$V_{dd} = 4.5$ to 5.5 volts, Maximum load	6			V
-----------	--	--	---	--	--	---

Digital Inputs (All digital inputs are CMOS compatible)

V_{ih}	High level input voltage	$I_{in} = \text{TBD}$	30% V_{dd}			V
V_{il}	Low level input voltage	$I_{in} = \text{TBD}$			70% V_{dd}	V
V_{oh}	High level output voltage	$I_{out} = \text{TBD}$	$V_{dd}-0.6$			V
V_{ol}	Low level output voltage	$I_{out} = \text{TBD}$			0.4	V
I_{in}	Input leakage current	$T_j = 125^\circ\text{C}$	+1		-1	μA

Power On Reset (Either low voltage detector can be disabled by trying the divider to a high voltage)

T_{delay}	Minimum delay power OK to RESET high	$C_{POR_DELAY} = 0.22 * H$	50.32	70.4	64.46	ms
V_{ref}	Voltage reference		1.235	1.25	1.265	V

Retract

$T_{retract}$	Retract time before brake	power low detected $T_{retract} = 0.4 * RC$	TBD		TBD	ms
R_{dson}	Total switch circuit resistance				10	Ohms
I for $V_{retract}$	2 quadrant retract voltage	$V_{BEMF} > \text{PARK_Voltage}$	11	13	15	μA

INTERNAL REGISTER DEFINITION**System Status Register (Reg 0)****Reg:** 0**Name:** System Status Register**Type:** Read only.

BIT	LABEL	DESCRIPTION	@POR
0	THERMAL	Thermal shutdown = 1, normal = 0. One signifies that the chip temperature has exceeded the 180°C. The bit will reset when the temperature falls from 180°C to 140°C (the hysteresis prevents rapid changing of this bit). When this bit is activated, the spindle logic will tristate both high and low side drivers to allow the disk to coast and cool down the chip.	0
1	UV	Under Voltage=0, good voltage =1. This signals whether the under voltage circuit has been activated or not. NOTE: When UV=0, the POR is activated and all serial port control logic is reset. This means that writes are impossible, however, the user can still poll the status of this register provided the logic voltage is sufficient for the logic to function.	0
2	FLL_UP	Providing mainly for testing. When the FLL is sourcing current into the charge pump capacitor this is set to 1. A 0 means that the sourcing current is disabled.	0
3	FLL_DOWN	Providing mainly for testing. When the FLL is sinking current from the charge pump capacitor this is set to 1. A 0 means that the sourcing current is disabled.	0
4	BEMF_SENSE	Toggles with BEMF.	0
5	MASK_TIME	Mask time currently in use = 1. When 1 this means the BEMF comparator will not sense the zero crossing at this time. A 0 means zero crossing sensing will occur.	0
6	DELAY	Delay time currently in use = 1. e.g. A commutation delay is active and at the end of this delay the next commutation is executed.	0
7	AT_SPEED	1=spindle is at speed (set by the first "down pulse" of the FLL. It is reset at POR.	0
8		UNUSED	0
9		UNUSED	0
10		UNUSED	0
11		UNUSED	0

VCM DAC Register (Reg 1)

The VCM DAC register is used to control the current in the voice coil motor. All 10 bits are part of a resistor divider network. Bit 10 is the sign bit and logically controls the current direction through the VCM. Bit 11 selects the current sense resistor to use for current control. A 0 selects coarse and therefore only the lower sense resistor, a 1 selects the top of both resistors so that the sense resistor is the sum of the coarse and fine resistance's.

To clarify the manner in which the 2's complement is used here are some examples:

Value entered to register (0x means hex)	DAC value	Sign	Gain
0x000	0x000	+	0
0x800	0x000	+	1
0x3FF	0x3FF	+	0
0x400	0x3FF	-	0
0x401	0x3FF	-	0
0x7FF	0x001	-	0

Reg: 1

Name: VCM DAC Register

Type: Write only.

BIT	LABEL	DESCRIPTION	@POR
0	VDAC BIT 0	LSB resistor ladder of the 10 bit VCM DAC. This is a true unsigned representation of the DAC input. The value entered here is a 2s-complement of the required DAC value encoded across eleven bits (10 bit data and 1 sign bit encoded into 11 bits in 2s-complement)	0
1	VDAC BIT 1		0
2	VDAC BIT 2		0
3	VDAC BIT 3		0
4	VDAC BIT 4		0
5	VDAC BIT 5		0
6	VDAC BIT 6		0
7	VDAC BIT 7		0
8	VDAC BIT 8		0
9	VDAC BIT 9	MSB resistor ladder.	0
10	VCMSIGN	Sign bit of the above 2s-complement number.	0
11	VCMGAIN	This changes the gain of the VCM DAC	0

Spin Control Register (Reg 2)

The spin control register has two functions:

- (1) The first (bits 0-7) is to program the current to the spindle motor to allow motor control and to preset the "at speed" voltage for the charge pump.
- (2) The second (bits 8-11) is to set the phase lag

from when a BEMF zero crossing occurs to the next commutation. Nominally the delay would be 30 electrical degrees but it often is better to advanced the commutation, due to the presence of other sources of delay, related to switching. The range is from 1.875 through to 28.125 electrical degree delay at 1.875 degree increments.

Reg: 2

Name: Spin Control Register

Type: Write only.

BIT	LABEL	DESCRIPTION	@POR
0	SPIN_DAC BIT 0	Spindle current limit LSB (LSB of 8 bits written to the spindle DAC)	0
1	SPIN_DAC BIT 1		0
2	SPIN_DAC BIT 2		0
3	SPIN_DAC BIT 3		0
4	SPIN_DAC BIT 4		0
5	SPIN_DAC BIT 5		0
6	SPIN_DAC BIT 6		0
7	SPIN_DAC BIT 7		Spindle current limit MSB
8	SPINDLY BIT 0	Spindle commutation delay LSB	0
9	SPINDLY BIT 1		0
10	SPINDLY BIT 2		0
11	SPINDLY BIT 3		Spindle commutation delay MSB

System Control Register A (Reg 3)**Reg:** 3**Name:** System Control Register A**Type:** Write only.

BIT	LABEL	DESCRIPTION	@POR
0	SPIN_ENABLE	Enable spindle functions (1 = enabled; 0 = Disabled). Together with VCM_ENABLE, determine the Normal, Idle or Sleep mode of operation. See Mode Table for details.	0
1	VCM_ENABLE	Enable VCM functions (1 = enabled; 0 = Disabled). Together with SPIN_ENABLE, determine the Normal, Idle or Sleep mode of operation. See Mode Table for details.	0
2	SRESET	Reset spindle state machine (sequencer). 0=Reset. All spindle and FLL registers are also reset. Also used to control the charge pump (1 = off).	0
3	INCRE	A 0 to 1 transition of this bit increments the spindle state machine. Normally used in SEARCH mode. Must be set to 1 in RUN Mode.	0
4	RUN_SRCH	1=Auto-increment enabled (RUN Mode) 0 = Auto-increment disabled (SEARCH MODE)	0
5	8_12P	Selects 8/12 pole motor: 1 = 8 pole, 0 = 12 pole	0
6	BIP_TRIP	Define Tristate, Bipolar, or Tripolar operation:	0
7	UNI_TRIP	See Spindle Drive Mode Table.	0
8	VCMRET	Activated VCM Retract: 1 = retract.	0
9	SPEED	Programs the Spindle Speed Control Method. SPEED= 0: The L6260 operates open loop, with speed error sensing performed externally and speed effort written into the SPIN_DAC. SPEED = 1: The speed is controlled internally through the built-in control loop.	0
10	EL_MECH	Specifies electrical or mechanical cycle for the FLL control. 1 = Electrical, 0 = Mechanical	0
11	TEST_COUNT_RESET	Writing a 0 resets the test sequence. Must be set to 1 to allow ATEST and DTEST functions.	0

MODE OF OPERATION (REGISTER 3 BITS 0 AND 1)

SPIN_ENABLE	VCM_ENABLE	MODE	DESCRIPTION
(0) DISABLED	(0) DISABLED	SLEEP	MINIMUM POWER DISSIPATION.
(0) DISABLED	(1) ENABLED	NOT NORMAL	VCM IS FORCED TO A PARK CONDITION
(1) ENABLED	(0) DISABLED	IDLE	VCM DISABLED FOR REDUCED DISSIPATION
(1) ENABLED	(1) ENABLED	NORMAL	NORMAL MODE OF OPERATION

SPINDLE DRIVE MODE (REGISTER 3 BITS 6 AND 7)

BIP_TRIP	UNI_TRIP	SPINDLE DRIVE MODE
0	0	TRISTATE
0	1	NOT DEFINED
1	0	BIPOLAR
1	1	TRIPOLAR

System Control Reg B (Reg 4)

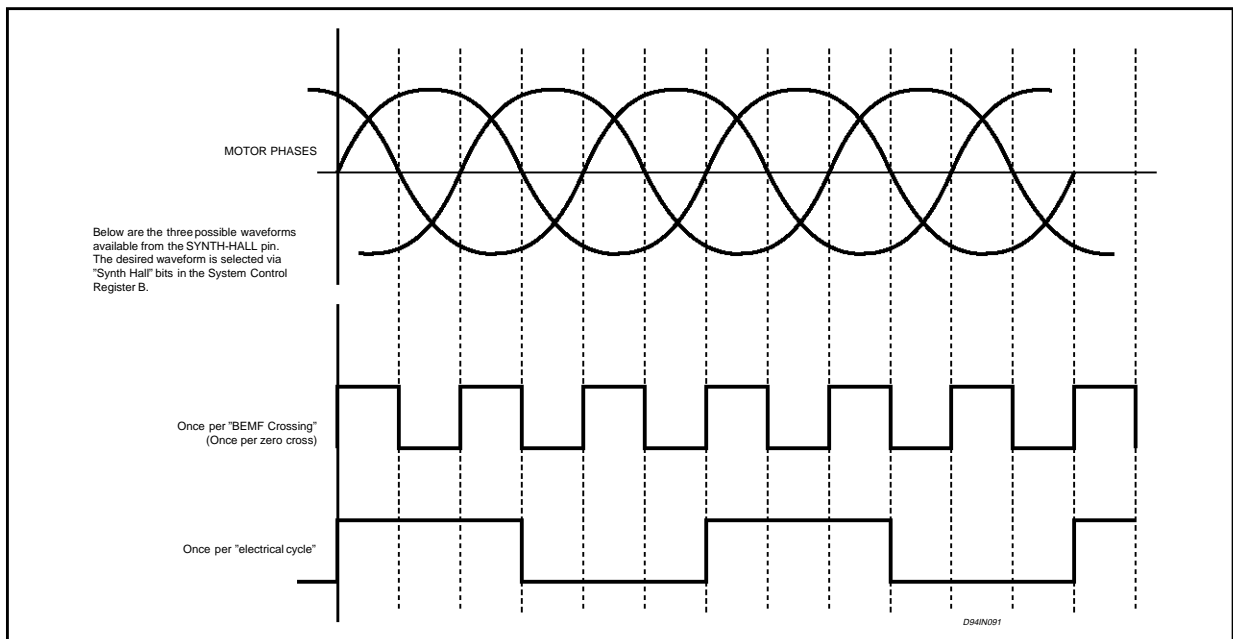
Reg: 4

Name: System Control Register B

Type: Write only

BIT	LABEL	DESCRIPTION	@POR
0	FLLGAIN BIT 0	Frequency Locked Loop (FLL) gain control. A gain factor of 1 to 8 can be programmed, This register value varies the FLL gain by changing the Integrator Current. Bit 0 is the LSB.	0
1	FLLGAIN BIT 1		0
2	FLLGAIN BIT 2		0
3	EXT_INT	External or internal spindle loop feedback. This bit is programmed to 0 for BEMF feedback, 1 for external feedback. External feedback is connected via the DTEST pin, which is configured as an input in this mode.	0
4	CLK_PRESCALE	This selects a one bit pre-scaler for the internal clock, minimizing the effect of differing frequencies on the FLL and logic counters. Set to 1 for 4-6MHz system clock, Set to 0 for 8-12MHz system clock	0
5	SYNHALL	This selects the signal at the SYNTH_HALL pin. When set to 0, Synth Hall pin will produce a once per BEMF crossing signal (from BEMF comparator). Setting the bit to 1, Synth Hall pin will give a once per electrical cycle signal (from zero crossing detector).	0
6	SFETGAIN	Selects the gain of the sense FET circuit of the spindle driver. 0 = Spindle is high transconductance loop gain, 1 = low gain	0
7	SLEW BIT 0	Slew rate control Bit 0 (LSB)	0
8	SLEW BIT 1	Slew rate control Bit 1	0
9	SLEW BIT 2	Slew rate control Bit 2 (MSB)	0
10	SLEW BIT 3	Setting this bit to 1 selects an internal 250K slew rate resistor. Setting it to 0 allows slew rate control by an external resistor.	0
11	MASK_PHASE	Selects between 7.5° and 15° mask time (0=15°, 1=7.5°)	

Figure 2: The following diagram explains bits 5 "SYNTH HALL" and the effect it has on the pin named SYNTH_HALL



Frequency Locked Loop Coarse Counter (Reg 5)

This register contains the "coarse" FLL counter value for the FLL. This register gives a worst case

resolution of 16 μ s with the worst case (i.e. slowest) 4MHz clock and has a valid range of 001 to FFF hex.

Reg: 5

Name: FLL Coarse Counter Register

Type: Write Only

BIT	LABEL	DESCRIPTION	@POR
0	CLATCH BIT 0	FLL Coarse counter LSB	0
1	CLATCH BIT 1		0
2	CLATCH BIT 2		0
3	CLATCH BIT 3		0
4	CLATCH BIT 4		0
5	CLATCH BIT 5		0
6	CLATCH BIT 6		0
7	CLATCH BIT 7		0
8	CLATCH BIT 8		0
9	CLATCH BIT 9		0
10	CLATCH BIT 10		0
11	CLATCH BIT 11	FLL Coarse counter MSB	0

Frequency Locked Loop Fine Counter (Reg 6)

This register contains the "fine" counter value of the FLL. The worst case resolution (i.e. with a

4MHz clock) is 1 μ s. **It is important that the most significant bit of this register must be a zero when a write is made.** Valid writes to this register must be between 001 and 7FF hex.

Reg: 6

Name: FLL Fine Counter Register

Type: Write only.

BIT	LABEL	DESCRIPTION	@POR
0	FLATCH BIT 0	FLL Fine counter LSB	0
1	FLATCH BIT 1		0
2	FLATCH BIT 2		0
3	FLATCH BIT 3		0
4	FLATCH BIT 4		0
5	FLATCH BIT 5		0
6	FLATCH BIT 6		0
7	FLATCH BIT 7		0
8	FLATCH BIT 8		0
9	FLATCH BIT 9		0
10	FLATCH BIT 10		0
11	FLATCH BIT 11	FLL Fine counter MSB -NOTE: On a write to this register, this bit must be zero.	0

Frequency Locked Loop Fine Error Counter (Reg 7)

This register contains the error detected between

the "fine" counter value of the FLL and the actual spindle rotation time (in either mechanical or electrical mode).

Reg: 7

Name: FLL Fine Error Counter Register

Type: Read Only

BIT	LABEL	DESCRIPTION	@POR
0	FINEC BIT 0	FLL Fine error count LSB	0
1	FINEC BIT 1		0
2	FINEC BIT 2		0
3	FINEC BIT 3		0
4	FINEC BIT 4		0
5	FINEC BIT 5		0
6	FINEC BIT 6		0
7	FINEC BIT 7		0
8	FINEC BIT 8		0
9	FINEC BIT 9		0
10	FINEC BIT 10		0
11	FINEC BIT 11	FLL Fine error count MSB	0

CIRCUIT OPERATION**General**

This device includes a sensorless spin driver, VCM driver, power sequencing, actuator retraction with dynamic braking, serial interface for a microprocessor and frequency locked loop for speed control. The device is register based and designed to operate via either 3V or 5V power supply.

POR & Under Voltage

The L6260 has an on chip power monitoring system that controls all aspects of powering up, Power On Reset of the Logic (POR), low voltage detection and power down sequencing. The circuitry consists of a Bandgap reference generator, hysteresis comparator (for low voltage detection) and a POR timer circuit (which controls the duration of the reset).

Four external pins determine the behavior of this circuit.

- UV1 & UV2: These two pins are provided to the user to connect to the supply voltages for

low voltage detection. The voltage on these pins is compared to the internal Bandgap voltage to determine if a low voltage on one of the supply pins has been detected. The comparator has built in hysteresis to reduce the effects of noise on the supply lines triggering a false POR. In other words, if either one of these inputs falls below 1.25V then the supply is regarded as being "under voltage". Normally one of these pins will be connected to allow a sensing of a 3V supply and the other to the 5V supply but this is arbitrary

- POR_DLY: This is a pin from which a capacitor can be connected to ground. This sets the duration of the reset state of the this chip. On power up, an internal current source charges the capacitor with a current of approximately 2mA. When the voltage on this pin reaches the bandgap voltage, the chip comes out of its reset state. The duration of this reset is determined by the size of an external capacitor to ground.
- POR: The POR pin is an output from the chip for resetting other devices.

APPLICATION DIAGRAM

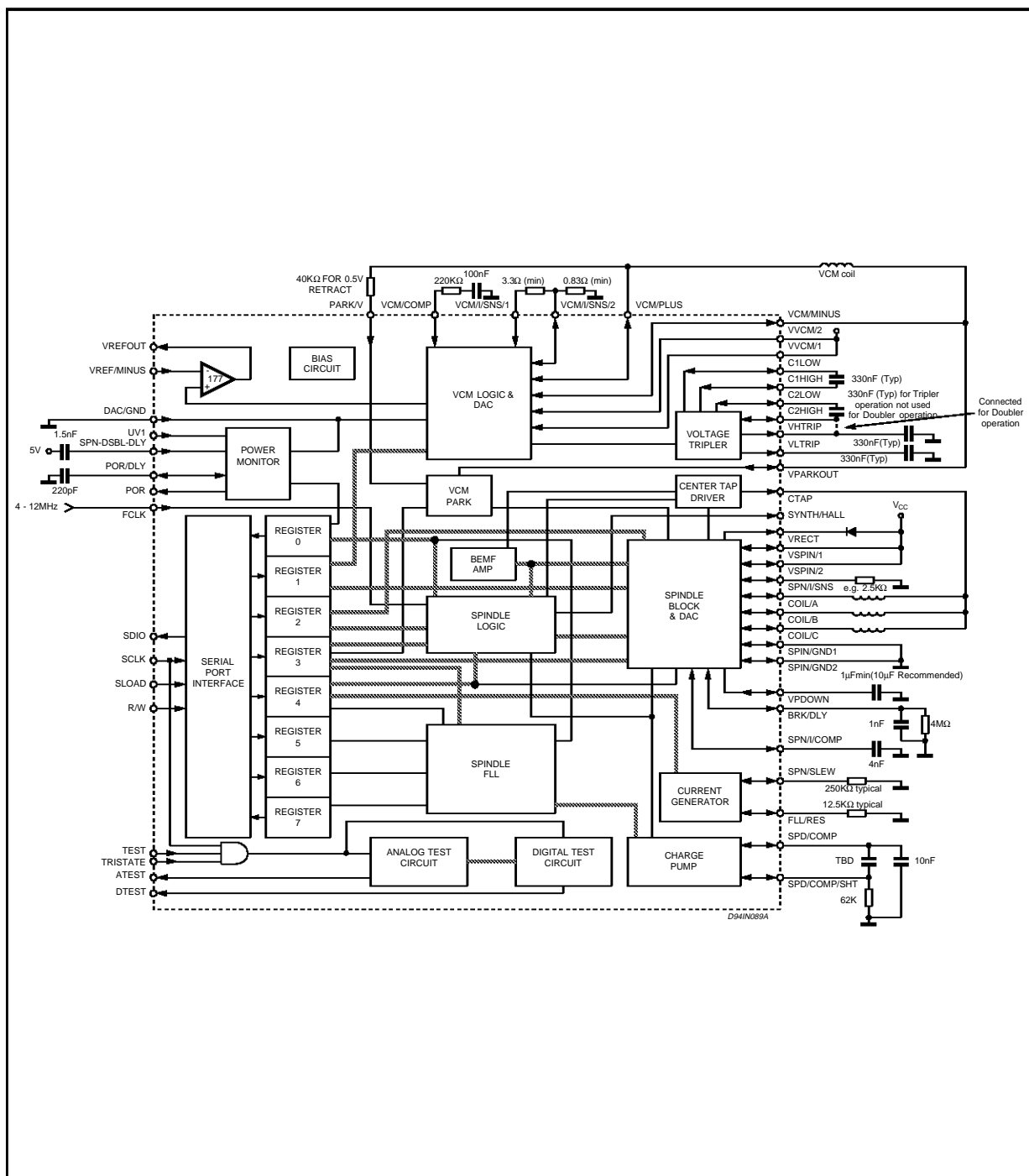
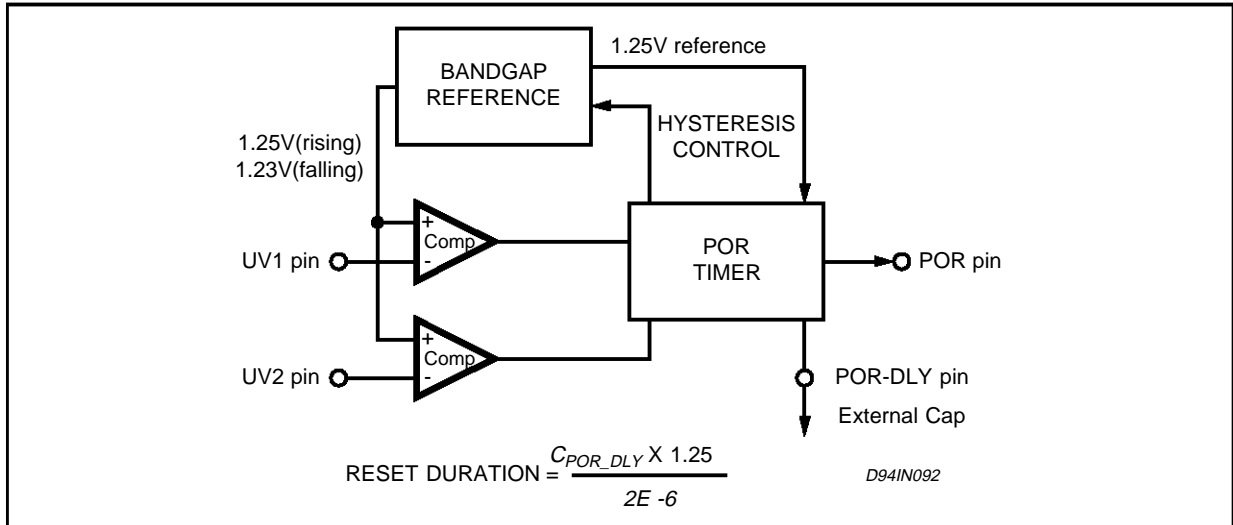


Figure 3.



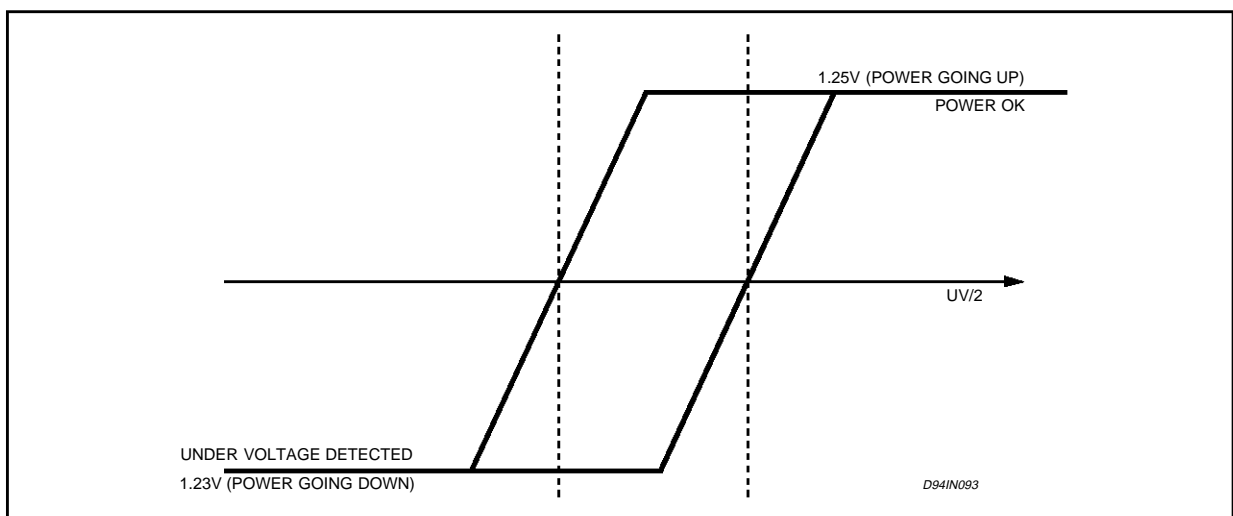
POR Parameters

SYMBOL	PARAMETER	MIN.	TYP.	MAX	UNITS
C _{PORDLY}	POR delay capacitor	220	2200	4700	pF
T _{delay}	Delay time	(*)	(*)	(*)	
UV _{rise}	Rising edge reference		1.25		V (**)
UV _{fall}	Falling edge reference		1.23		V (**)
T _{UVd}	Under voltage detect to POR low			250	ns

(*) See previous equation

(**) See hysteresis transfer function below

Figure 4: Hysteresis Comparator Transfer Characteristic for Under Voltage Detection.



The duration of the brake delay is defined by an external resistor and capacitor connected to the brake delay pin (BRK_DLY). Charge stored in an external capacitor connected to the Voltage Tripler (VPDOWN) is used to supply the brake delay circuit after the loss of power.

During the application of power to the IC, the power on reset signal (POR) is asserted, forcing all registers to their default state (see @POR column of the register definitions) and disabling the VCM and spindle drivers. Once the supply voltage has exceeded the Voltage Good (VGT) threshold, the POR delay begins. When this delay has expired, POR is de-asserted. It is this delay whose duration is determined by an external capacitor connected to the POR_DLY pin.

When a low voltage condition is detected (the supply voltage falls below the VGT) the following happens (in order):

- 1) Internal registers are reset and POR is asserted.
- 2) The automatic parking of the actuator is enabled and the brake delay starts.
- 3) After the brake delay expires, all low side drivers are enabled to brake the spindle.

Serial Interface

The serial interface is designed to be compatible with the Intel 80196 (and other similar micros) serial interface but is capable of faster data rates, up to 10 MHz. All read and write operations must consist of 16 bits, with the 80196 this would be two 8 bit accesses. The first four bits are address and the next 12 are data. If the address is a read register then the L6260 will use the SCLK from the system to shift out 12 bits of data from the addressed register. The system must provide 16 SCLK pulses to insure that the read operation completes.

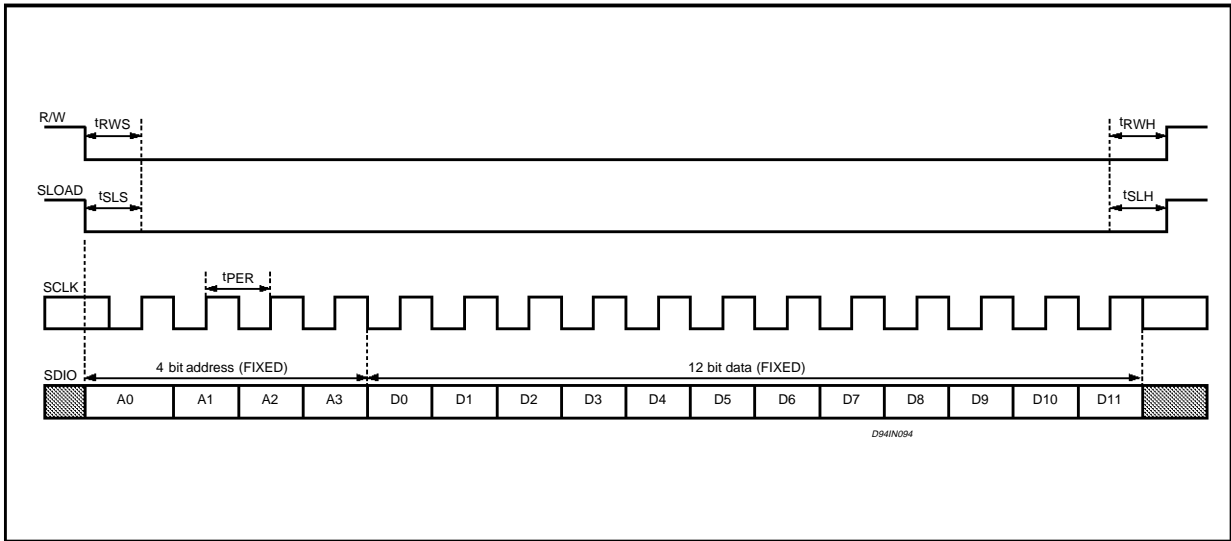
SYMBOL	DESCRIPTION	MIN.	TYP.	MAX.	UNITS
t _{RWS}	R \overline{W} setup time to SCLK going high	100			ns
t _{SLS}	SLOAD setup time to SCLK going high	100			ns
t _{RWH}	R \overline{W} hold time after SCLK going high	100			ns
t _{SLH}	SLOAD hold time after SCLK going high	100			ns
t _{SCKD}	SCLK high to Data Valid		30	50	ns
t _{RWD}	R \overline{W} High to Data Valid Data bit D[0] valid from HiZ		30	50	ns
t _{AS}	Address setup time to SCLK going high	30			ns
t _{DS}	Data setup time to SCLK going High	30			ns
t _{AH}	Address Hold after SCLK going high	10			ns
t _{DH}	Data Hold time after SCLK going High	10			ns
t _{SDZ}	SDIO tri-state after SLOAD going High	30			ns
t _{RWZ}	SDIO tri-state after R \overline{W} going low	30			ns
t _{PER}	Minimum SCLK period	100			ns
t _{REC} (*)	Recycle - Time between successive accesses	100			ns

(*) For 10MHz system clock operation (in other words, 1 or more clock cycles of SCLK).

Serial Interface Truth Table

R \overline{W}	SLOAD	SDIO	DIRECTION
1	1	Tri-state (Port unselected)	Tri-state
0	1	Tri-state (Port unselected)	Tri-state
0	0	Address/Data input	Input
1	0	Data output	Output

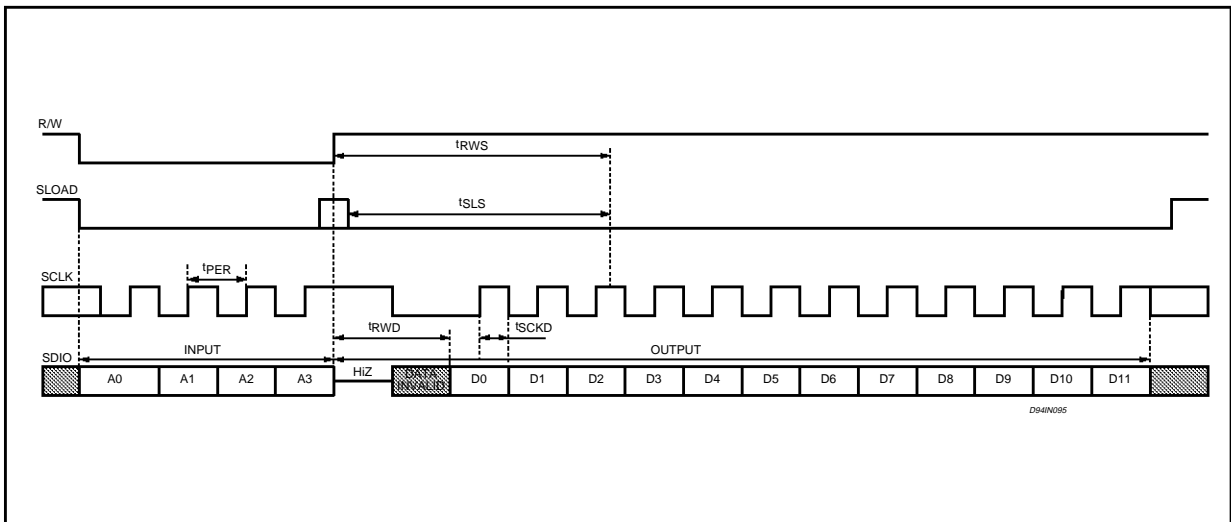
Figure 5: Serial Write Timing Diagram



The write cycle has a fixed address and data length. Four bits of address and 12 bits of data must be clocked in to allow the data to be loaded into the desired register. The write cycle is initiated by setting SLOAD and R/W low. Setting R/W low causes the SDIO line to be tri-stated for data input. SLOAD low enables the internal counter to increment on the rising edge of SCLK. The address and data are clocked into the chip serially

on each rising edge of SCLK as shown above. When both the 4 bits of address and the 12 bits of the data have been clocked in, then the addressed register will be written to with the provided data. Setting SLOAD high will clear the internal logic and tri-state the SDIO line. This also provides a way of safely aborting a write by simply forcing SLOAD high. NOTE: SLOAD must be kept low during the entire duration of the 16 write clocks.

Figure 6: Serial Read Timing Diagram

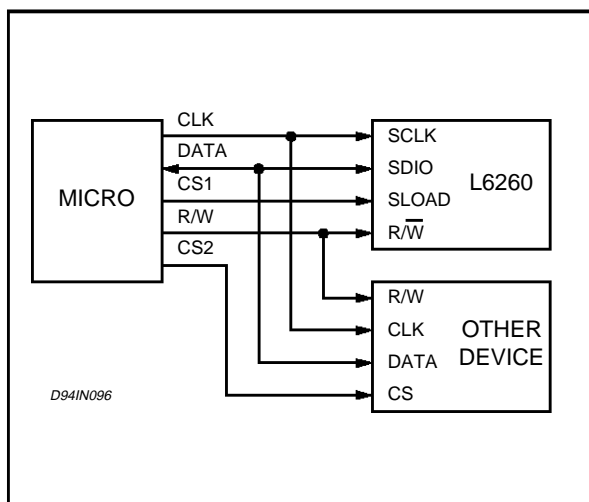


The read cycle is initiated by setting SLOAD low and clocking in a valid read address. Only four bits of address are necessary, if more than four bits are clocked in, the four MSBs will be ignored (i.e. only the first four bits will be used). If a valid address is detected, the rising edge of R/W will load the desired register into the internal serial/parallel register ready for clocking out. The

data in the serial/parallel register is then serially clocked out on every rising edge of SCLK (LSB is clocked out first). Additional padded bits clocked out will be zero.

Note: If SLOAD is set low with R/W high, the current contents of the internal shift register can be clocked out. This is useful for a "read back" of the data last written into the required register.

Figure 7: System Level Interface



System clock (FCLK input) and its Pre Scale

System clock (FCLK input) and its Pre Scale The chip must be clocked via the FCLK pin at one of two possible input frequency ranges, 4-6MHz or 8-12MHz. The required range is set up via register bit 4.3 (System Control Register B, Sys Clock Prescale bit) where 0 selects the lower frequency of 4-6MHz and a 1 selects the higher input range of 8-12MHz.

VCM System

The following functions are provided: Voltage controlled retract including sourcing and sinking

current, two quadrant retract, with "Spindle Powered" or "Commanded" Retract. The VCM DAC register is accessed via the serial port and allows the DAC value to be changed. This drives the VCM DAC and in turn the VCM driver.

VCM Compensation and Loop Equations

This information will be included in the next version of this datasheet.

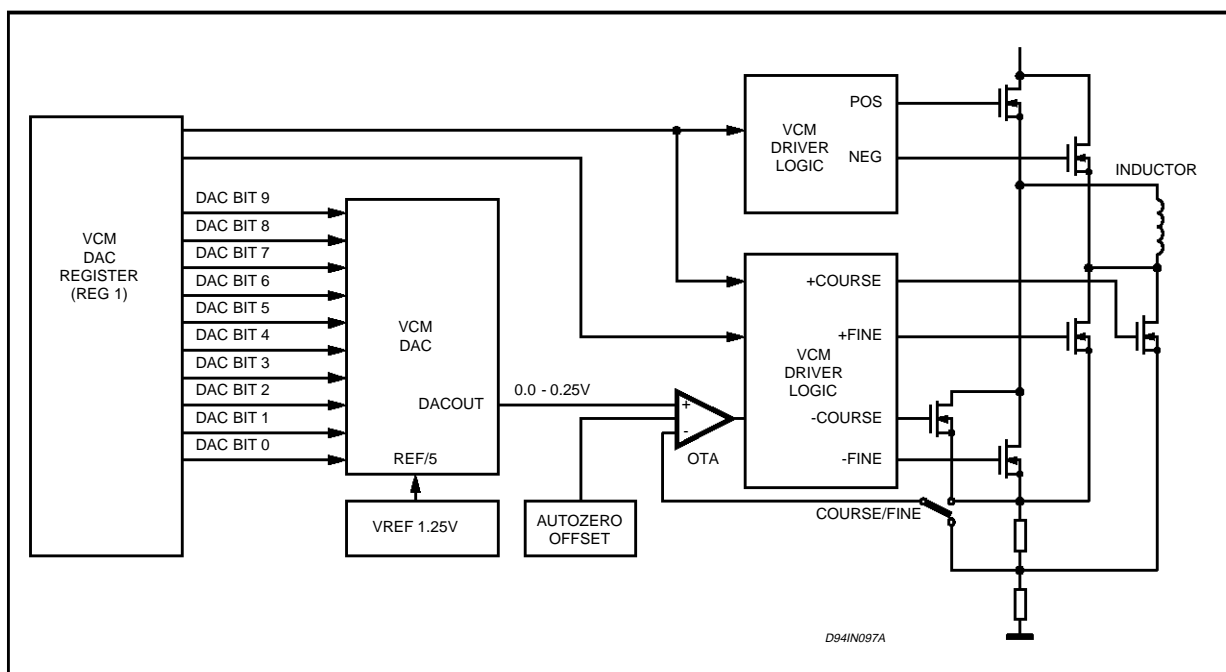
VCM Driver

The VCM driver is capable of supplying +/- 300 mA of current although higher peak currents are acceptable for short periods of time. Closed loop control of the load current is provided by the power amplifier which consists of an error amplifier followed by an H bridge output section. The loop is compensated by an external RC network connected to the VCM_COMP pin.

The direction of the current flowing in the bridge is determined by the sign bit. The H bridge has two pairs of lower drivers, only one of which is selected at a given time. Such a configuration makes it possible to choose between two values of transconductance by selecting the appropriate pair of drivers. This gain selection is accomplished using the VCM DAC Register.

The VCM current sense amplifier produces a voltage which is proportional to the current flow in the voice coil. When the system is operating in a linear fashion, the steady state voltage at the VCM_I_SNS pins is approximately equal to the voltage commanded by the DAC. However, under

Figure 8.



certain transient conditions, the control loop which regulates the load current can recirculate, causing the VCM_I_SNS voltage to be different from the commanded voltage. This information is useful in optimizing the command profile during a seek.

The retract voltage is set by external components. The current loop bandwidth is greater than 20Khz.

VCM DAC

The VCM DAC consists of 10 bits via the DAC, 1 bit sign and 1 gain bit. However, externally this can be viewed as being a single 11 bit signed value with a gain bit in the MSB position. The sign bit controls the direction of the current. Positive values of the DAC are regarded as moving the actuator towards the inside diameter (this is required for parking/braking). The magnitude is converted to a voltage which is used for closed loop regulation of the magnitude of the load current. The gain bit

Retract

Automatic actuator retraction is initiated when any of the following conditions occur: disabling the spin system while the VCM system is still enabled, excessive junction temperature (thermal shutdown), loss of power or microprocessor issued retract. In all cases except the loss of power, the voltage applied to the voice coil is limited by an active clamp. When power is lost, the BEMF generated by the spinning motor is rectified and applied across the voice coil to perform the parking operation.

Command retract is activated via the System Control Register.

VCM Gain Considerations

$$I_{OUT} = \pm 0.25 \cdot \frac{DAC_VALUE}{1024} \cdot \frac{1}{R_{S1}} \quad (\text{High current setting})$$

or

$$I_{OUT} = \pm 0.25 \cdot \frac{DAC_VALUE}{1024} \cdot \frac{1}{R_{S1} + R_{S2}} \quad (\text{Low current setting})$$

Modes of Operation

The L6260 provides for four different modes of operation, namely, Unipolar, Bipolar, Tripolar and Tristate. The Tripolar mode is included for achieving reliable start-ups in a stuck rotor condition (lengthening drive life-time). These modes are initiated via the System Control Register A, bits 7 & 8 as follows:

	Bit 6	Bit 7	# of drivers on
Tristate	0	0	None
Unipolar	0	1	1 low side, no high side
Bipolar	1	0	1 low side and 1 high side
Tripolar	1	1	1 high side and 2 low side OR 2 high side and 1 low side

Spindle compensation and Loop Equations

This material will be available in the next version of this datasheet.

Spindle State Machine

The spindle state machine provides the logic and timing signals to the spindle driver in support of the various modes of operation.

When the spindle driver is disabled (via the System Control Register), the state machine puts the spindle driver into a high impedance mode and places all spindle related circuit into a reduced power mode.

After a POR, at boot up or after RESET (via System Control Register) the state machine is in the known state as defined by the System Control Registers (A & B) initial condition after POR (see the @POR column of these registers).

When in Unipolar mode the commutation sequence is CTR/IA, CTR/IB CTR/IC where IA = lower A driver (NOTE: Unipolar mode is only guaranteed at 3V operation). In Bipolar the commutation sequence is uA/IB (upper A and lower B), uA/IC, IC/uB, uB/IA, IA/uC and uC/IB. In Tripolar mode the state machine does not auto commute, the microprocessor must increment the state. The sequence is uA/IBC (upper A and lower B & C), uAB/IC, uB/IAC, uCB/IA, uC/IAB and uAC/IB. The Uni/Bi/Tri-polar operation is set by two bits in the System Control Register A (3.7-3.8) described above (Modes of Operation).

If the RUN/SEARCH bit (System Control Register A, bit 4) is false or 0 (SEARCH mode), the commutation state only increments when the INC STATE bit is strobed (also in the same register, bit 3). If the RUN/SEARCH bit is true or 1 (RUN mode) the state will increment either on a INC STATE strobe or if a qualified BEMF CROSSING occurs the state will increment after the commutation delay times out.

If either THERMAL=1 (register.bit 0.0) or the POR=0, all the drivers are turned off. Tristate is the default mode of operation at power up.

Period counters and delay and masking functions

The period counter is an internal 11 bit register that is used to time the interval between successive zero crossings. Whenever a zero crossing is encountered, the period counter is loaded into

both a mask counter (9 bits) and a delay counter (11 bits). The period counter is automatically re-set to count the next zero crossing period.

The clock used for the period and mask counters is a function of the system clock. If the FCLK (the system clock) is set to the 8-12MHz range then the period and mask counters are clocked at 1/64 of the system clock, other wise the registers are clocked at 1/32 of the system clock. The delay counter clock is programmable via the SPIN COM DLY bits in the Spin Control Register (2.8-2.11). This value is used to divide down the system clock. Since there is 60 electrical degrees between zero-crossings, the delay counter can provide 1.875 through to 28.125 electrical degree delay at 1.875 degree increments.

When the period counter reaches zero, the masking of the zero-crossing starts (to avoid seeing current recirculation spikes). The delay counter then starts to count down and when it reaches zero the masking of the BEMF is released so that zero crossings can once again be detected. The masking hides the commutation of the motor which takes place during the mask.

The clocking frequency of the mask and delay counters is identical. However, the delay is 11 bits and the mask only 9 bits. This means that the mask can provide 15 electrical degrees of masking time. In the System Control Register B, bit MAKE_PHASE (4.11) a bit value of zero gives this 15 electrical degrees mask time but a one gives 7.5 electrical degrees of mask.

Speed Control & F.L.L.

The rotational position of the motor is inferred from the BEMF wave form generated by the floating coil. The chip uses the instant of a particular zero-crossing and the period between successive zero crossings to dictate the commutation timings. The complete control loop is on chip and the speed is controlled by a reference clock FCLK.

The speed control loop uses a frequency locked loop which in conjunction with an external compensation network brings the frequency of the tachometer signal to be equal to the internally generated reference frequency. The tachometer signal can either be the BEMF signal divided down to a once per mechanical revolution signal or an externally generated tachometer signal, sector burst. The output of the speed control is a current demand signal that goes to the Spindle Driver.

The spindle current and the commutation delay is programmed via the Spin Control Register. There is a "fine" and a "coarse" counter that defines the speed of the motor.

In more detail, the two registers are used in conjunction with two down counters which form a frequency detector that in turn creates feedback through to a charge pump to maintain the motors speed regulation.

The course counter is 12 bits and is clocked at 1/64th the rate of the frequency clock (FCLK). The fine counter is clocked at 1/4th FCLK. The on chip Frequency Locked Loop (FLL) uses the electrical cycle pulses ("ec pulse") to time the motors rotation. Upon the first ec pulse, the course register's contents (loaded via the serial port) is loaded into the internal course counter is then loaded from its corresponding register. The fine counter then also immediately starts to count down. In theory (but not normally in run mode, possibly at start up) the fine counter could count down through zero and continue counting down the 2's complement of the original fine counter value.

The period between the start of the course counter and the zero crossing during the fine counter operation is the programmed period. Any differences between the desired period and the ec pulse (zero crossing) is the error in the transconductance loop and corrective action is take by the charge pump. This error is a number given from a counter starting when the fine counter reaches zero and resetting when the BEMF pulse occurs. The vice versa happens if the BEMF anticipate the ending of the fine counter. The error number is loaded in REG. 7.

The course and fine counter arrangement is guaranteed to work in all possible circumstances (providing there is enough BEMF). For example if the zero crossing is within or outside the fine window or even if the zero crossing is in the course register range. This system will even work if the zero crossing occurs across multiple course/fine cycles.

The FLL has a prescaler (defined by the System Control Register bits EL_MECH and 8_12P (3.10 & 3.5) that changes the cycle counting mechanism between electrical, 8 pole or 12 pole (i.e. dividing the ec clock by 1,4 or 6) respectively.

The procedure for setting the motor speed is as follows:

$$\text{let's call } T_0 \text{ this quantity. } T_0 = \frac{60}{\text{SPEED}}$$

$$\text{Doing } \frac{T_0 \cdot 0.9 \cdot \text{FCLK}}{64} \text{ we obtain } N_{\text{course}} \text{ e.g.}$$

the number to load in the course register. If this number exceed 4096 the desired speed is not achievable. Let's call ErrNc the decimal part of Ncourse doing

$$\frac{T_0 \cdot 0.1 \cdot \text{Fclk}}{4} + \text{ErrNc} \cdot 16 \text{ we obtain } N_{\text{fine}} \text{ e.g.}$$

the number to load in the fine register. If this number exceed 2048 all the procedure must be repeated changing 0.9 with 0.91 and 0.1 with 0.09 and so on.

The spindle is enabled via the System Control Registers.

The slew rate is defined by attaching a resistor to ground from the SPN_SLW pin. The current loop has a compensation RC network on the SPN_I_COMP pin and the sense resistor is attached to the SPN_I_SNS pin (to ground).

Figure 9.

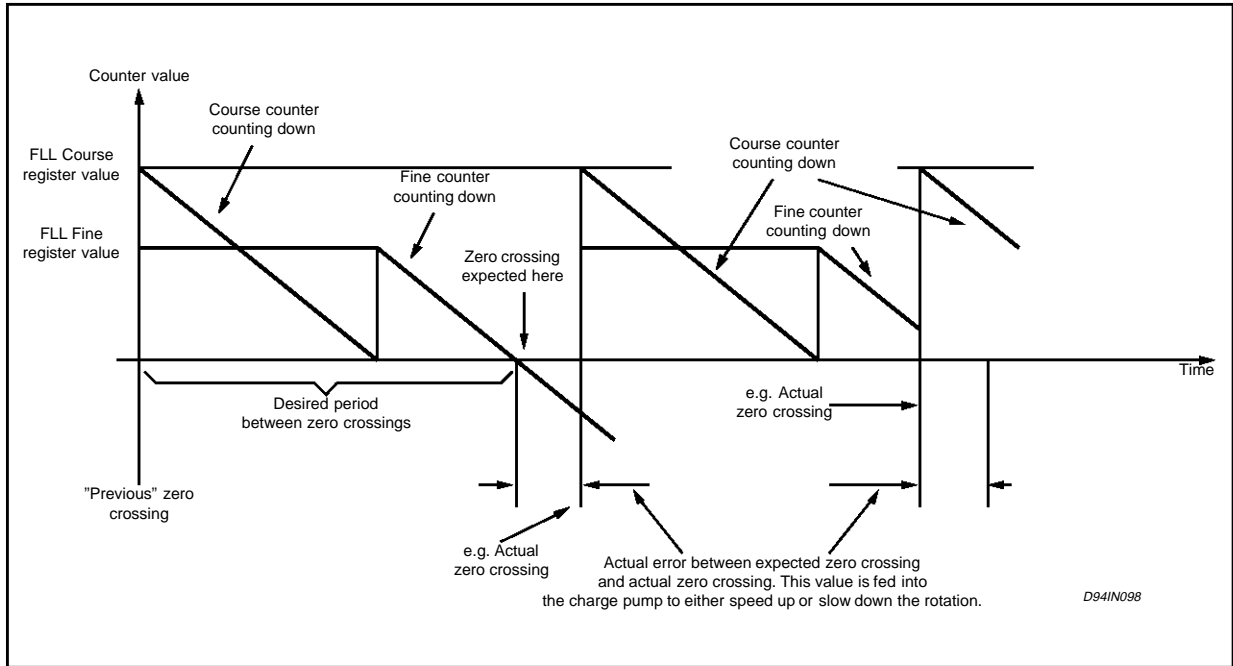
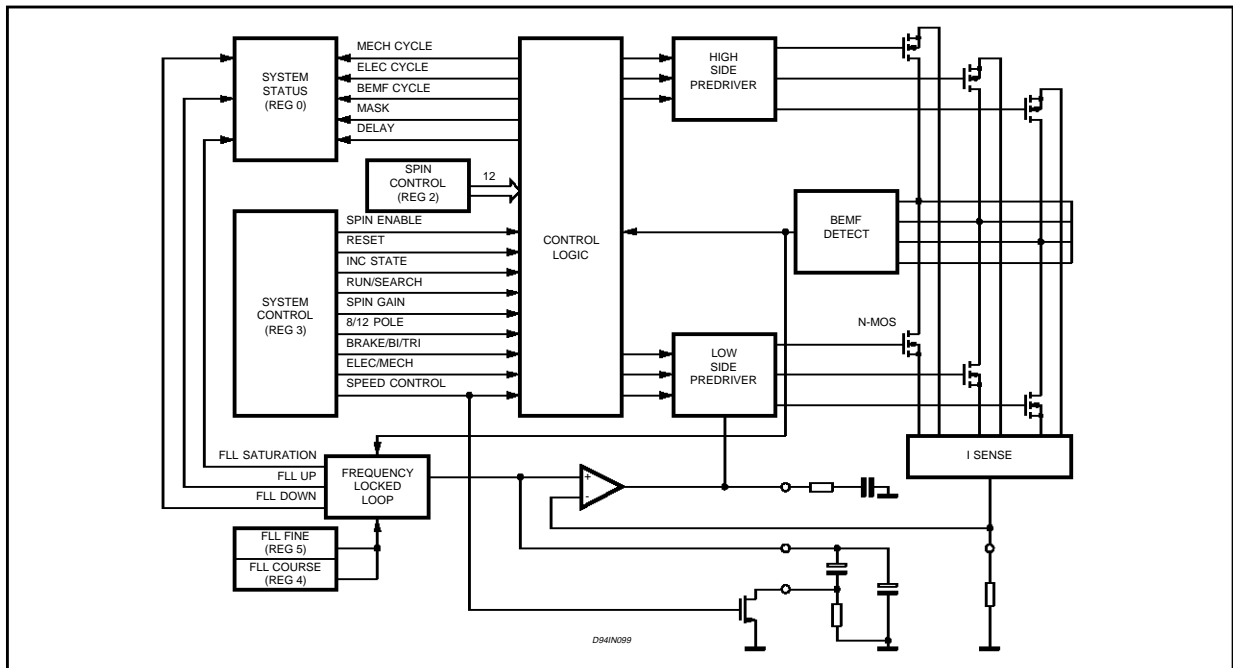


Figure 10.



A Synthetic Hall output is also provided from this chip once per electrical or BEMF crossing.

Using the remote current sensing of the Spindle current

The remote current sensing allows the connection of the power drivers directly to ground. The bene-

fit here is the elimination of the external sense resistor.

Under normal operation there is a 500:1 difference between the current seen on the sense pin and the current in the spindle power drivers. At start up this ratio is changed to 2500:1 (five times the normal operation). The recommended voltage at the sense pin is approximately one volt.

limit DAC.

The power circuits will be as shown in the following figure 11.

Synth Hall

The Synth Hall pin can be programmed to provide one of two possible output wave forms (see register definitions). By setting the SYNTH_HALL bit in register System Control Register B (4.5) to zero, the signal is a once per BEMF crossing signal which has the same phase as the BEMF amplifier on chip with all the noise and false transitions removed. With this bit set to one, a once per electrical cycle signal with 50% duty cycle is produced.

Brake

The BRAKE mode commands a retract & then turns on the lower three drivers, S_A_L, S_B_L and S_C_L, to cause immediate braking of the spindle.

Retract

The retract voltage is defined by a resistor to ground from the RETRACT_V pin.

Test Circuits

1) I/O Mapping Test Mode. This mode is activated by taking the TEST pin high and hold-

SCLK	ATEST pin carries...	DTEST pin carries...
1	Nominal Bandgap Voltage (normally 1.25V)	Postive/Negative incrementing of the FLL
2	Low Bandgap Voltage (normally 1.23V)	Spindle mask
3	Bias Voltage (normally 0.5V)	Spindle delay
4	Spindle DAC Output	FCLK/16 or FCLK/32 depending on CLK_PRESCALE bit in System Control Reg B (4.4)
5	VCM DAC Output	BEMF Comparitor output (raw)
6	Temperature Shutdown Voltage (input - used to alter the point at which thermal shutdown starts operation)	VCM predriver (A)
7	Connected to the A gate of the spindles Low Side Driver. Allows Rds(on) testing.	VCM predriver (F).

3) Tristate Test Mode. This mode is activated by keeping the TEST pin low and taking the TRISTATE pin high. This disables the digital outputs, specifically SYNTH_HALL, POR &

ing the TRISTATE pin low. This puts the device into a test mode that allows certain pins to be directly internally connected to other pins for the purpose of testing continuity of solder joints on a board. The following table defines which pins are I/O mapped and which is an input and which is an output. Notice that I/O mapped pins in one group are not physically adjacent in the package allowing more thorough testability.

INPUT PIN #	INPUT PIN NAME	OUTPUT PIN #	OUTPUT PIN NAME
20	R/W	11	SDIO
9	SLOAD	11	SDIO
10	SCLK	22	SYNTH_HALL
12	FCLK	22	SYNTH_HALL
50	UV1	5	POR
51	UV2	5	POR

2) Digital and Analog Test Mode. This mode is activated by taking both the TEST pin and TRISTATE pin high. Once this has been done the SCLK pin of the serial interface is used to clock out digital data through the DTEST pin. Simultaneously, the ATEST pin cycles through carrying different analog signals from around the chip.

4) No Test Modes. All test modes are disabled by keeping the TEST pin & TRISTATE pin low

Sleep & Idle Functions

MODE	STATE	POWER LEVEL	POWER DISS.
Ready	Spin & VCM enabled	Full	20mA
Idle	Spin enabled, VCM disabled	Reduced	10mA
Sleep	Both spin and VCM disabled	Minimum	2mA (typical) 5mA (max)
INVALID	Spin disabled, VCM enabled* Spindle set to low gain		

If the spindle is disabled while the VCM is enabled the automatic parking function is invoked.

MATCAD ANALYSIS OF I6286 VCM CURRENT CONTROL LOOP (High Gain)

(User specified parameters)

$R_c := 240 \cdot 10^3$	Compensation resistance
$C_c := 240 \cdot 10^{-9}$	Compensation capacitance
$R_1 := 20$	Coil resistance
$L := 1.1 \cdot 10^{-3}$	Coil inductance
$C_s := 100 \cdot 10^{-9}$	Snubber capacitance
$R_n := 75$	Snubber resistance
$V_{dac} := 40 \cdot 10^{-3}$	DAC Voltage
$R_s := 0.8$	Sense resistance
$I_d := \frac{V_{dac}}{R_s}$	Output current $I_d = 0.05$

(Device Parameters)

$g_{mn} := 24.2 \cdot 10^{-6}$	Nulling OTA transconductance, with $\pm 20\%$ variation
$R_{on} := 3.18 \cdot 10^6$	Nulling OTA output resistance, with $\pm 50\%$ variation
$C_{on} := 50 \cdot 10^{-12}$	Nulling OTA output capacitance, with $\pm 10\%$ variation
$g_{m1} := 1100 \cdot 10^{-6}$	Main OTA transconductance, with $\pm 20\%$ variation
$R_{o1} := 1.773 \cdot 10^6$	Main OTA output resistance, with $\pm 50\%$ variation
$C_{o1} := 1.6 \cdot 10^{-12}$	Main OTA output capacitance, with $\pm 10\%$ variation
$g_{m2} = 0.964 \sqrt{I_d}$	FET transconductance, with $\approx 10\%$ variation $g_{m2} = 0.216$
$V_A = 68.7$	Early voltage of FET, with $\pm 5\%$ variations
$R_{o2} = \frac{V_A}{I_d}$	FET output resistance $R_{o2} = 1.374 \cdot 10^3$
$R_a := 420$	Predriver output resistance, with $\pm 20\%$ variation
$C_{sb} := 10.2 \cdot 10^{-12}$	FET source-bulk capacitance, with $\pm 10\%$ variation
$C_{db} := 49 \cdot 10^{-12}$	FET drain-bulk capacitance, with $\pm 10\%$ variation
$C_{gd} := 11 \cdot 10^{-12}$	FET gate-drain capacitance, with $\pm 10\%$ variation
$C_{gs} := 156 \cdot 10^{-12}$	FET gate source capacitance, with $\pm 10\%$ variation

1ST STAGE (OTA) TRANSFER FUNCTION:

$$i: = \sqrt{-1}$$

$$f(n) := 10^n$$

$$S(n) := 2 \cdot i \cdot \pi \cdot 10^n$$

$$n := 2, 2.01, \cdot 7$$

$$A1 := g_{mn} \cdot R_{on} \cdot g_{m1} \cdot R_{o1} \quad A1 = 1.501 \cdot 10^5$$

$$f_{p1} = \frac{1}{2 \cdot \pi \cdot R_{on} \cdot C_{on}}$$

$$f_{p1} = 1.001 \cdot 10^3$$

$$f_{p2} = \frac{1}{2 \cdot \pi \cdot R_{eq} \cdot C_{o1}}$$

$$f_{p2} = 4.706 \cdot 10^5$$

$$f_{z1} = \frac{g_{mn}}{2 \cdot \pi \cdot C_{on}}$$

$$f_{z1} = 7.703 \cdot 10^4$$

$$f_{zc} = \frac{1}{2 \cdot \pi \cdot R_c \cdot C_c}$$

$$f_{zc} = 6.631$$

$$R_{eq} = \frac{R_{o1} \cdot R_c}{R_{o1} + R_c}$$

$$R_{eq} = 2.114 \cdot 10^5$$

$$f_{pc} = \frac{1}{2 \cdot \pi \cdot (R_c + R_{o1}) \cdot C_c}$$

$$f_{pc} = 0.791$$

$$H1(n) := A1 \cdot \frac{\left(1 + \frac{S(n)}{2 \cdot \pi \cdot fzc}\right) \cdot \left(1 + \frac{S(n)}{2 \cdot \pi \cdot fz1}\right)}{\left(1 + \frac{S(n)}{2 \cdot \pi \cdot fzc}\right) \cdot \left(1 + \frac{S(n)}{2 \cdot \pi \cdot fp1}\right) \cdot \left(1 + \frac{S(n)}{2 \cdot \pi \cdot fp2}\right)} \quad \text{(OTA)}$$

2ND STAGE (POWER NMOS) TRANSFER FUNCTION:

$$Zsn(n) := Rn + \frac{1}{Cs \cdot S(n)} \quad \text{(snubber)}$$

$$ZLo(n) := LS(n) + R1 \quad \text{(motor)}$$

$$ZL(n) := \frac{Zsn(n) \cdot ZLo(n)}{Zsn(n) + ZLo(n)} \quad \text{(load)}$$

$$Ci := Cgs = Cgd$$

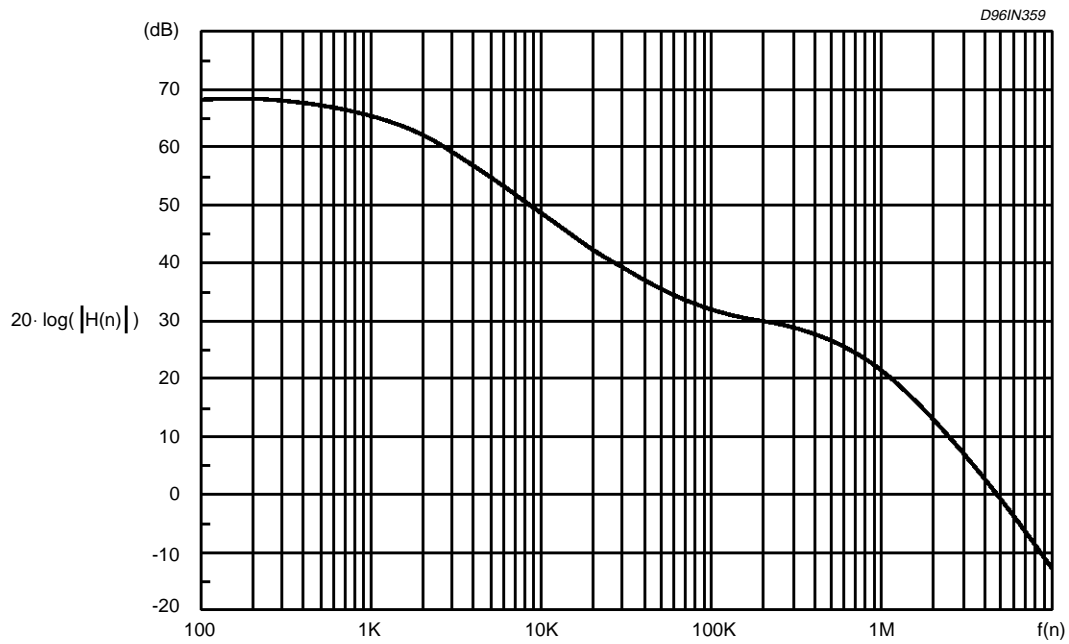
$$Co := Cgd + Cdb$$

$$H2(n) := \frac{\begin{bmatrix} \frac{1}{Ra} + Ci \cdot S(n) & - (Cgd \cdot S(n)) & - \frac{1}{Ra} \\ - (Cgd \cdot S(n) - gm2) & Co \cdot S(n) + \frac{1}{Ro2} + \frac{1}{ZL(n)} & 0 \\ - (Cgs \cdot S(n) + gm2) & - \left(\frac{1}{Ro2}\right) & 0 \end{bmatrix}}{\begin{bmatrix} \frac{1}{Ra} + Ci \cdot S(n) & - (Cgd \cdot S(n)) & - (Cgs \cdot S(n)) \\ - (Cgd \cdot S(n) - gm2) & Co \cdot S(n) + \frac{1}{Ro2} + \frac{1}{ZL(n)} & - \left(gm2 + \frac{1}{Ro2}\right) \\ - (Cgs \cdot S(n) + gm2) & - \left(\frac{1}{Ro2}\right) & (Cgs + Csb) \cdot S(n) + gm2 + \frac{1}{Ro2} + \frac{1}{Rs} \end{bmatrix}}$$

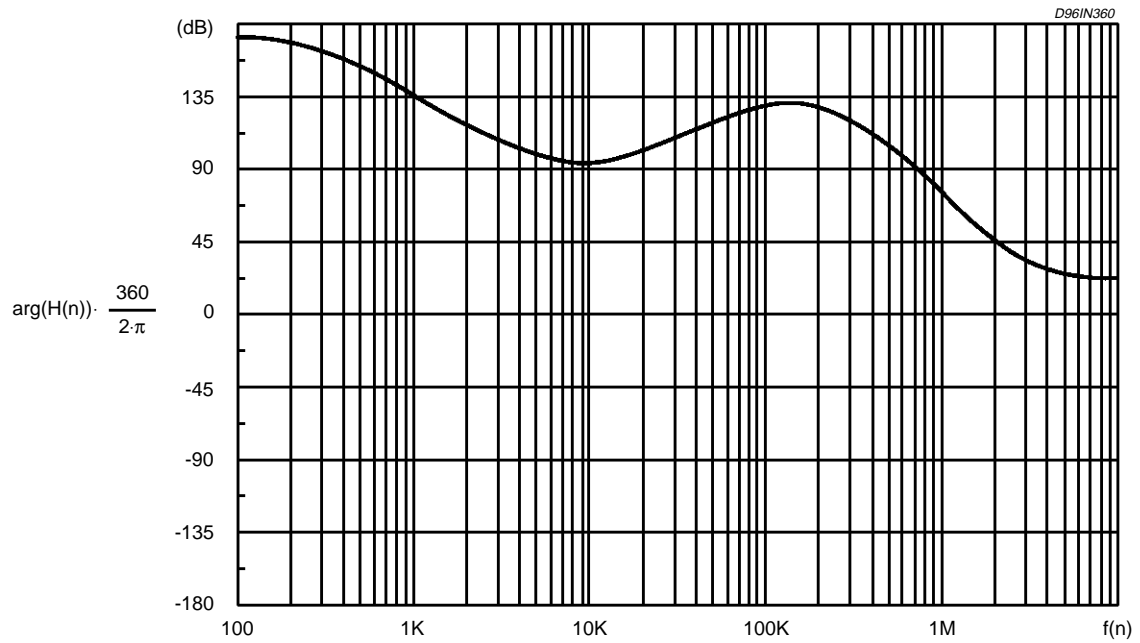
D96IN361

{H2(n) = left[[matrix{ccol

OPEN LOOP RESPONSE: $H(n) := H1(n) \cdot H2(n)$ $|H(0)| = 1.367 \cdot 10^4$ $|H2(0)| = 0.145$
MAGNITUDE RESPONSE (dB)

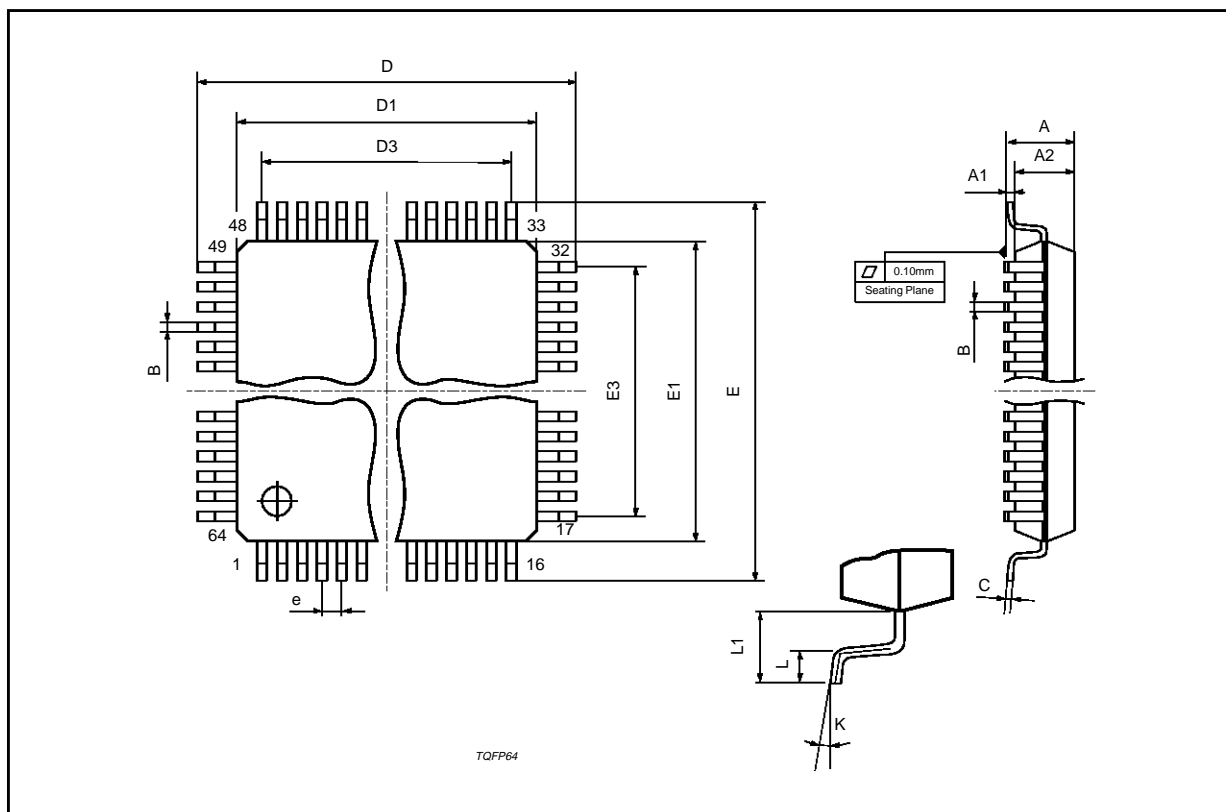


PHASE RESPONSE (%)



TQFP64 PACKAGE MECHANICAL DATA

DIM.	mm			inch		
	MIN.	TYP.	MAX.	MIN.	TYP.	MAX.
A			1.60			0.063
A1	0.05		0.15	0.002		0.006
A2	1.35	1.40	1.45	0.053	0.055	0.057
B	0.18	0.23	0.28	0.007	0.009	0.011
C	0.12	0.16	0.20	0.0047	0.0063	0.0079
D		12.00			0.472	
D1		10.00			0.394	
D3		7.50			0.295	
e		0.50			0.0197	
E		12.00			0.472	
E1		10.00			0.394	
E3		7.50			0.295	
L	0.40	0.50	0.75	0.0157	0.0236	0.0295
L1		1.00			0.0393	
K	0°(min.), 7°(max.)					



Information furnished is believed to be accurate and reliable. However, SGS-THOMSON Microelectronics assumes no responsibility for the consequences of use of such information nor for any infringement of patents or other rights of third parties which may result from its use. No license is granted by implication or otherwise under any patent or patent rights of SGS-THOMSON Microelectronics. Specification mentioned in this publication are subject to change without notice. This publication supersedes and replaces all information previously supplied. SGS-THOMSON Microelectronics products are not authorized for use as critical components in life support devices or systems without express written approval of SGS-THOMSON Microelectronics.

© 1996 SGS-THOMSON Microelectronics – Printed in Italy – All Rights Reserved
SGS-THOMSON Microelectronics GROUP OF COMPANIES

Australia - Brazil - Canada - China - France - Germany - Hong Kong - Italy - Japan - Korea - Malaysia - Malta - Morocco - The Netherlands - Singapore - Spain - Sweden - Switzerland - Taiwan - Thailand - United Kingdom - U.S.A.