

THE INFORMATION CONTAINED HEREIN IS CONSIDERED "PROPRIETARY" TO BEL FUSE INC. AND SHALL NOT BE COPIED, REPRODUCED OR DISCLOSED WITHOUT THE WRITTEN APPROVAL OF BEL FUSE INC.

LED1 POLARITY			LED2 POLARITY		
PIN 13	PIN 14	COLOR	PIN 15	PIN 16	COLOR
-	+	YELLOW	-	+	GREEN
			+	-	ORANGE



RJ45

ELECTRICAL CHARACTERISTICS @ 25°C

URNS RATIO

TP1	1CT : 1CT ±2%
TP2	1CT : 1CT ±2%
TP3	1CT : 1CT ±2%
TP4	1CT : 1CT ±2%

OCL @ 100kHz/100mVRMS

8mA DC BIAS	350µH MIN.
-------------	------------

INS. LOSS

0.1MHz TO 1MHz	-1.1 dB MAX
1MHz TO 65MHz	-0.5 dB MAX
65MHz TO 100MHz	-0.8 dB MAX
100MHz TO 125MHz	-1.2 dB MAX
RET. LOSS (MIN)	
0.5MHz-40MHz	-18 dB
40MHz-100MHz	-12+20LOG(f/80MHz) dB

Cross Talk

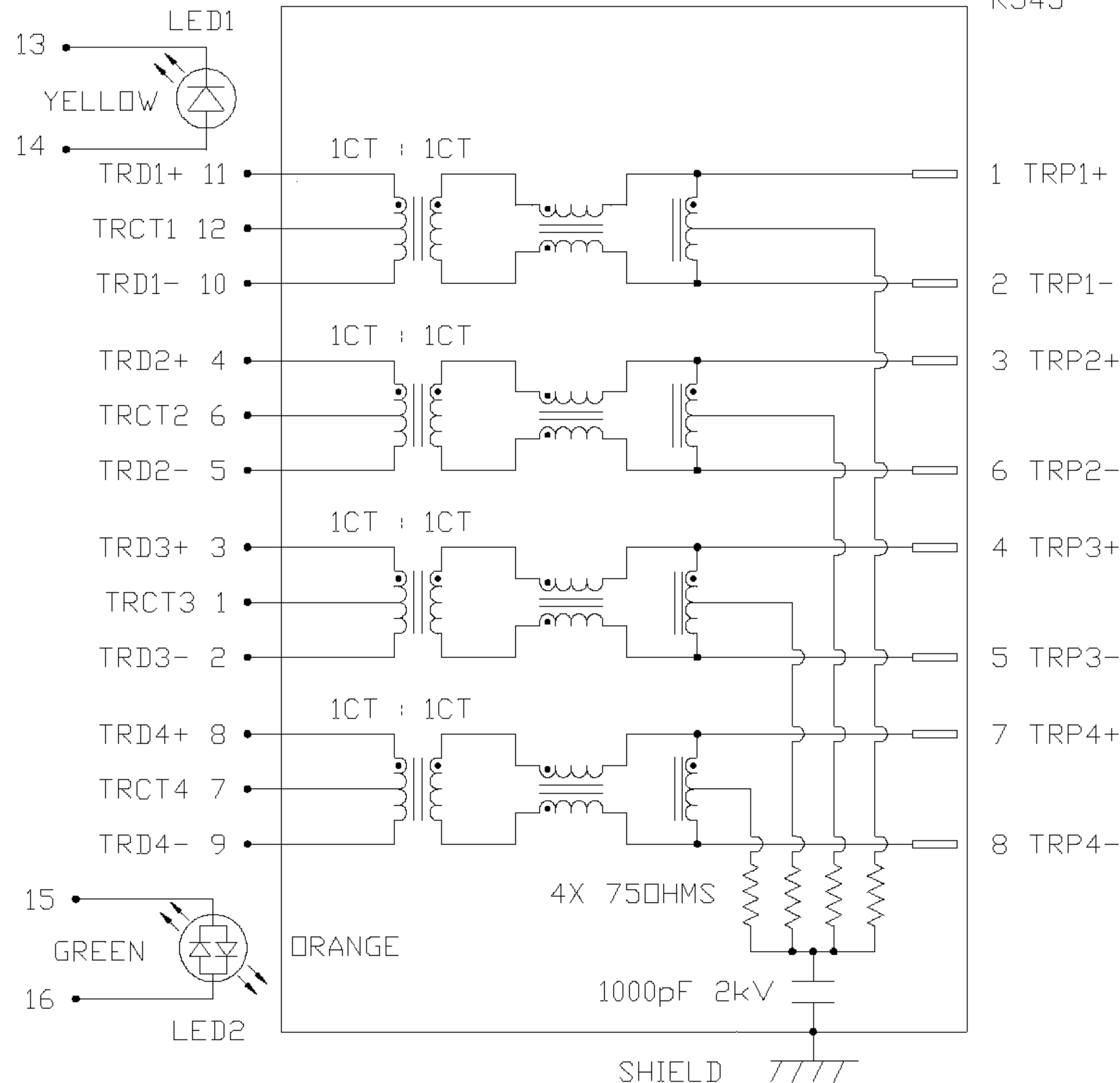
Ch1-Ch2, Ch2-Ch3, Ch3-Ch4	
Ch4-Ch1, Ch2-Ch4, Ch3-Ch1	
1MHz - 30MHz	-37dB MIN
30MHz - 80MHz	-29dB MIN
80MHz - 100MHz	-28dB MIN

CM TO DM REJ

100kHz - 100MHz	-35 dB MIN
-----------------	------------

HIPOT (Isolation Voltage):	1500 Vrms or 2250VDC
----------------------------	----------------------

LED 1				
VF (FORWARD VOLTAGE)	IF=20mA	YELLOW	2.1V TYP.	
λD (DOMINANT WAVELENGTH)	IF=20mA	YELLOW	590nm TYP.	
LED 2				
VF (FORWARD VOLTAGE)	IF=20mA	GREEN	2.2V TYP.	
		ORANGE	2.0V TYP.	
λD (DOMINANT WAVELENGTH)	IF=20mA	GREEN	565nm TYP.	
		ORANGE	610nm TYP.	



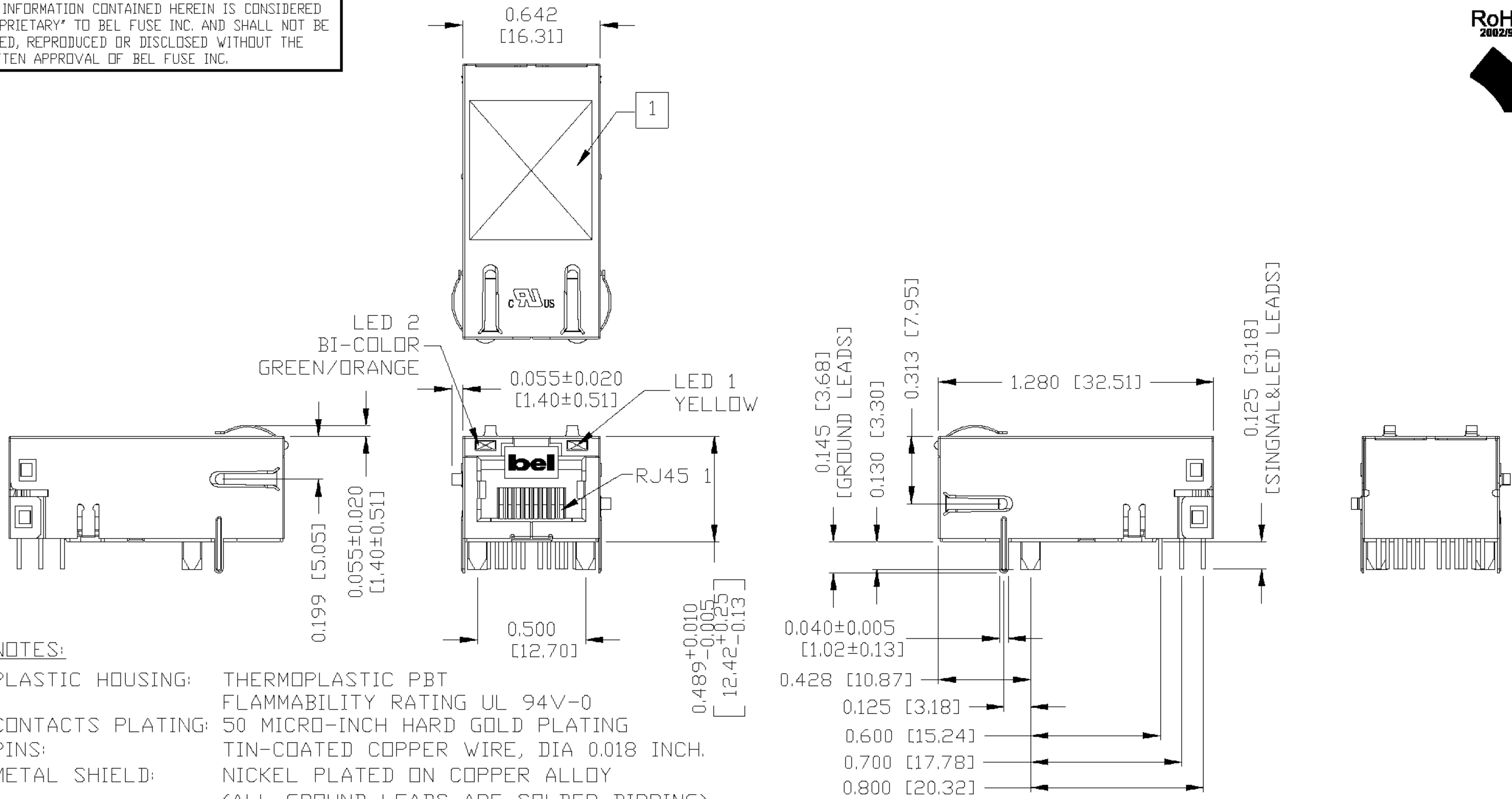
ORIGINATED BY	DATE
CHUNG	01-05-07
DRAWN BY	DATE
DE	01-05-07

TITLE	gigabit MagJack® (Low Profile, 12 cores)
PART NO. / DRAWING NO.	L8261X1T23-F
FILE NAME	L8261X1T23-FB.DWG

STANDARD DIM. TOL. IN INCH	[] METRIC DIM. AS REFERENCE
.X	UNIT : INCH [mm]
.XX	REV. : B
.XXX	SCALE : N/A
	SIZE : A4
	PAGE : 2



THE INFORMATION CONTAINED HEREIN IS CONSIDERED "PROPRIETARY" TO BEL FUSE INC. AND SHALL NOT BE COPIED, REPRODUCED OR DISCLOSED WITHOUT THE WRITTEN APPROVAL OF BEL FUSE INC.



NOTES:
 PLASTIC HOUSING: THERMOPLASTIC PBT
 FLAMMABILITY RATING UL 94V-0
 CONTACTS PLATING: 50 MICRO-INCH HARD GOLD PLATING
 PINS: TIN-COATED COPPER WIRE, DIA 0.018 INCH.
 METAL SHIELD: NICKEL PLATED ON COPPER ALLOY
 (ALL GROUND LEADS ARE SOLDER DIPPING)

[1] MARK PART WITH MFG. LOGO; MFG. NAME; PART NUMBER; DATE CODE.
 JACK CAVITY CONFORMS TO FCC RULES AND REGULATIONS.
 RoHS COMPLIANCE, PER EU DIRECTIVE 2002/95/EC.

c RL US UL RECOGNIZED - FILE #E196366 AND E169987.

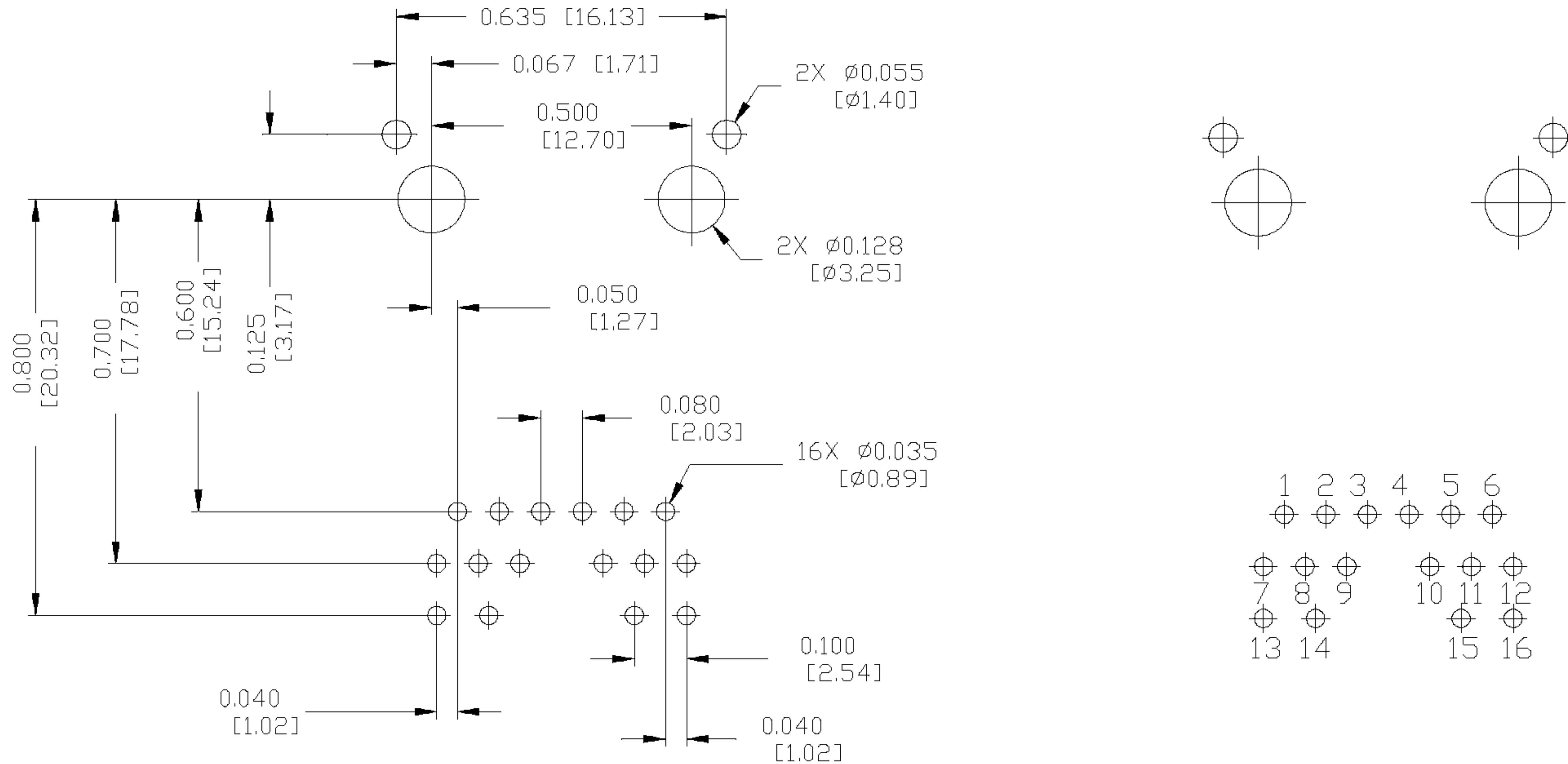
ORIGINATED BY CHRIS/BILL	DATE 01-05-07	TITLE gigabit MagJack® (Low Profile, 12 cores) L826-1X1T-23-F	PART NO. / DRAWING NO. L8261X1T23-F		STANDARD DIM. TOL. IN INCH		[] METRIC DIM. AS REFERENCE	
			FILE NAME L8261X1T23-FB.DWG		.X .XX .XXX	±0.010	UNIT : INCH [mm]	REV. : B
DRAWN BY TING	DATE 01-05-07					SCALE : N/A	SIZE : A4	 COMPONENTS FOR A CONNECTED PLANET
							PAGE : 3	

THE INFORMATION CONTAINED HEREIN IS CONSIDERED "PROPRIETARY" TO BEL FUSE INC. AND SHALL NOT BE COPIED, REPRODUCED OR DISCLOSED WITHOUT THE WRITTEN APPROVAL OF BEL FUSE INC.



RECOMMENDED PCB FOOTPRINT

(COMPONENT SIDE VIEW)



ORIGINATED BY CHRIS/BILL	DATE 01-05-07	TITLE gigabit MagJack® (Low Profile, 12 cores) L826-1X1T-23-F	PART NO. / DRAWING NO. L8261X1T23-F	STANDARD DIM. TOL. IN INCH	[] METRIC DIM. AS REFERENCE
DRAWN BY TING	DATE 01-05-07		FILE NAME L8261X1T23-FB.DWG	.X .XX .XXX	UNIT : INCH [mm] SCALE : N/A

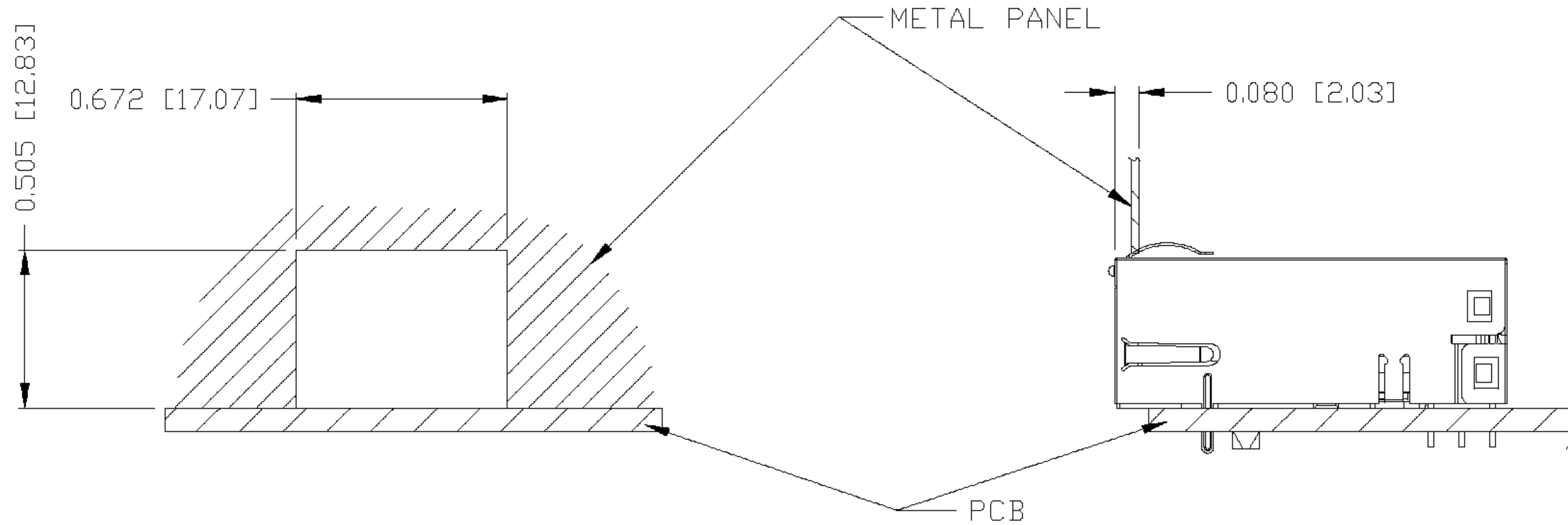


THE INFORMATION CONTAINED HEREIN IS CONSIDERED "PROPRIETARY" TO BEL FUSE INC. AND SHALL NOT BE COPIED, REPRODUCED OR DISCLOSED WITHOUT THE WRITTEN APPROVAL OF BEL FUSE INC.

RoHS
2002/95/EC



SUGGESTED PANEL OPENING



NOTE:

THE DISTANCE OF PANEL INSIDE SURFACE RELATIVE TO FRONT SURFACE OF PART IS ONLY A SUGGESTION. IN CASE THIS DISTANCE IS DIFFERENT, THE REQUIRED PANEL OPENING DIMENSIONS CHANGE ACCORDINGLY.

PACKING INFORMATION

PACKING TRAY: 0200-9999-D6 (TOP)
0200-9999-D7 (BOTTOM)

PACKING QUANTITY: 40 PCS FINISHED GOODS PER TRAY
11 TRAYS (440 PCS FINISHED GOODS) PER CARTON BOX

NOTE: CARDBOARDS ARE PLACED BETWEEN LAYERS OF PACKING TRAY INSIDE CARTON BOX
(INCLUDE THE UPPERMOST AND LOWERMOST TRAY)

ORIGINATED BY CHRIS/BILL	DATE 01-05-07	TITLE gigabit MagJack® (Low Profile, 12 cores) L826-1X1T-23-F	PART NO. / DRAWING NO. L8261X1T23-F	STANDARD DIM.		[] METRIC DIM. AS REFERENCE		 COMPONENTS FOR A CONNECTED PLANET
				TOL. IN INCH		UNIT : INCH [mm]	REV. : B	
DRAWN BY TING	DATE 01-05-07	FILE NAME L8261X1T23-FB.DWG		.X	/	SCALE : N/A	SIZE : A4	
				.XX				
				.XXX	±0.004			PAGE : 5