



SANYO Semiconductors DATA SHEET

Monolithic Linear IC LA42351 — 5W 1-Channel AF Power Amplifier With DC Volume Control

Overview

LA42351 is 5W 1-channel AF power amplifier with DC volume control intended for televisions.

Features

- P_{O1} 5W×1ch (V_{CC} = 18V, R_L = 8Ω, THD = 10%)
- P_{O2} 3W×1ch (V_{CC} = 14V, R_L = 8Ω, THD = 10%)
- Built-in DC Volume Control.
- Built-in Standby function.
- Built-in overheat protection.

LA42000 series is power IC which made Pin compatible possible altogether in 3 to 15W. They consist of four kinds of power ICs. (mono, stereo, mono with volume function, stereo with volume function.). They realized PCB layout communalization of an audio power block of TV. Since some external parts are different, however, the pattern design must enable sharing of the substrate.

	P _O	Channel		Volume
		Mono	Stereo	
LA42051	5W	○		
LA42052	5W		○	
LA42351	5W	○		○
LA42352	5W		○	○
LA42071	7W	○		
LA42072	7W		○	
LA42152	15W		○	

■ Any and all SANYO Semiconductor Co.,Ltd. products described or contained herein are, with regard to "standard application", intended for the use as general electronics equipment (home appliances, AV equipment, communication device, office equipment, industrial equipment etc.). The products mentioned herein shall not be intended for use for any "special application" (medical equipment whose purpose is to sustain life, aerospace instrument, nuclear control device, burning appliances, transportation machine, traffic signal system, safety equipment etc.) that shall require extremely high level of reliability and can directly threaten human lives in case of failure or malfunction of the product or may cause harm to human bodies, nor shall they grant any guarantee thereof. If you should intend to use our products for applications outside the standard applications of our customer who is considering such use and/or outside the scope of our intended standard applications, please consult with us prior to the intended use. If there is no consultation or inquiry before the intended use, our customer shall be solely responsible for the use.

■ Specifications of any and all SANYO Semiconductor Co.,Ltd. products described or contained herein stipulate the performance, characteristics, and functions of the described products in the independent state, and are not guarantees of the performance, characteristics, and functions of the described products as mounted in the customer's products or equipment. To verify symptoms and states that cannot be evaluated in an independent device, the customer should always evaluate and test devices mounted in the customer's products or equipment.

SANYO Semiconductor Co., Ltd.

TOKYO OFFICE Tokyo Bldg., 1-10, 1 Chome, Ueno, Taito-ku, TOKYO, 110-8534 JAPAN

LA42351

Specifications

Absolute Maximum Ratings at $T_a = 25^\circ\text{C}$

Parameter	Symbol	Conditions	Ratings	Unit
Maximum supply voltage	V_{CC} max	No signal	24	V
Allowable power dissipation	P_d max	Infinite heat sink	15	W
Maximum junction temperature	T_j max		150	$^\circ\text{C}$
Thermal resistance	θ_{jc}		3	$^\circ\text{C}/\text{W}$
Operating temperature	T_{opr}		-25 to +75	$^\circ\text{C}$
Storage temperature	T_{stg}		-40 to +150	$^\circ\text{C}$

Operating Conditions at $T_a = 25^\circ\text{C}$

Parameter	Symbol	Conditions	Ratings	Unit
Recommended supply voltage	V_{CC}		18	V
Recommended load resistance	R_L		8	Ω
Allowable operating voltage range	V_{CC} op		10 to 22	V

Operating Characteristics at $T_a = 25^\circ\text{C}$, $V_{CC} = 18\text{V}$, $R_L = 8\Omega$, $V_{CONT} = 5\text{V}$, $f = 1\text{kHz}$, $R_g = 600\Omega$

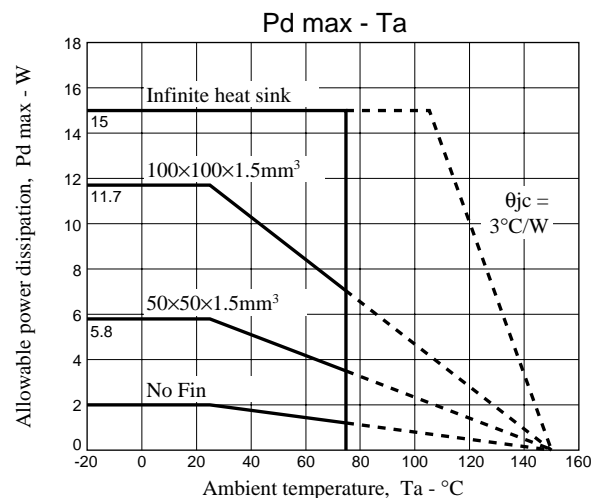
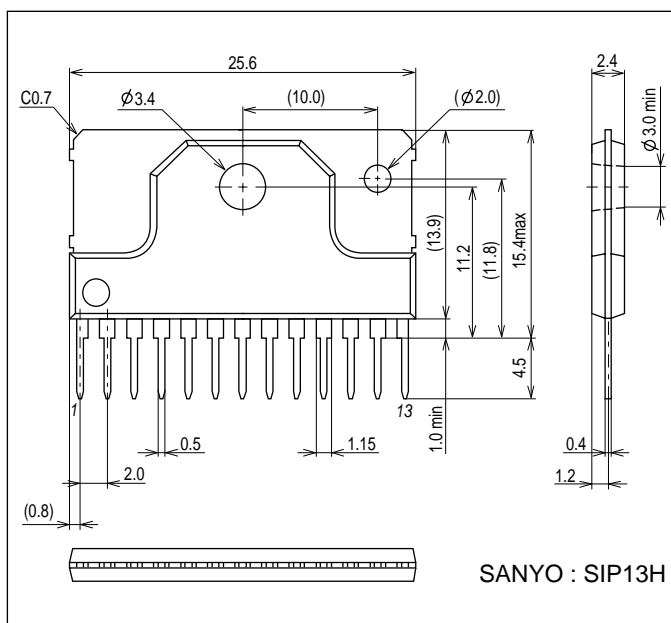
Parameter	Symbol	Conditions	Ratings			Unit
			min	typ	max	
Standby current	I_{STB}	Amplifier off		0	10	μA
Quiescent current	I_{CCO}	$R_g = 0\Omega$, Volume = 0V	15	35	70	mA
Output power	P_O	THD = 10%	4	5		W
Total harmonic distortion	THD	$P_O = 1\text{W}$		0.2	0.8	%
Voltage gain	VG	$V_O = 0\text{dBm}$	32.5	34.5	36.5	dB
Output noise voltage	V_{NO}	$R_g = 0\Omega$, $V_{CONT} = 0\text{V}$, $f = 20\text{Hz}$ to 20kHz		0.13	0.4	mVrms
Volume attenuation	ATT	$V_{IN} = 100\text{mV}$, $V_{CONT} = 0\text{V}$, with 1k-BPF	70	80		dB
Standby control voltage (The Pin 5 voltage)	V_{STB-H}	Amplifier on	2.5		10	V
	V_{STB-L}	Amplifier off	0		0.5	V
Input resistance	R_i		14	20	26	$\text{k}\Omega$

*0dBm = 1mW (600 Ω) = 774.6mVrms

Package Dimensions

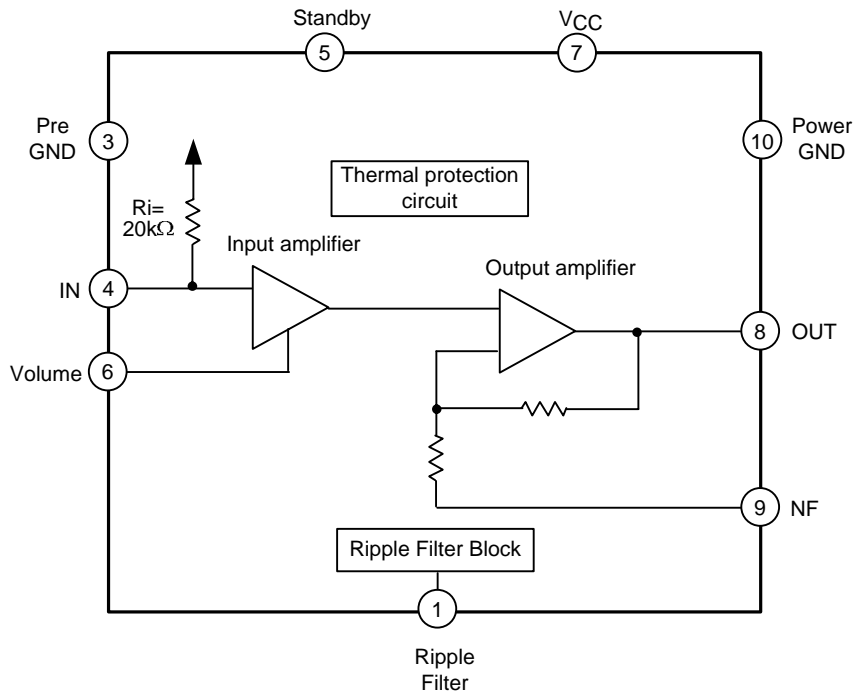
unit : mm (typ)

3107B

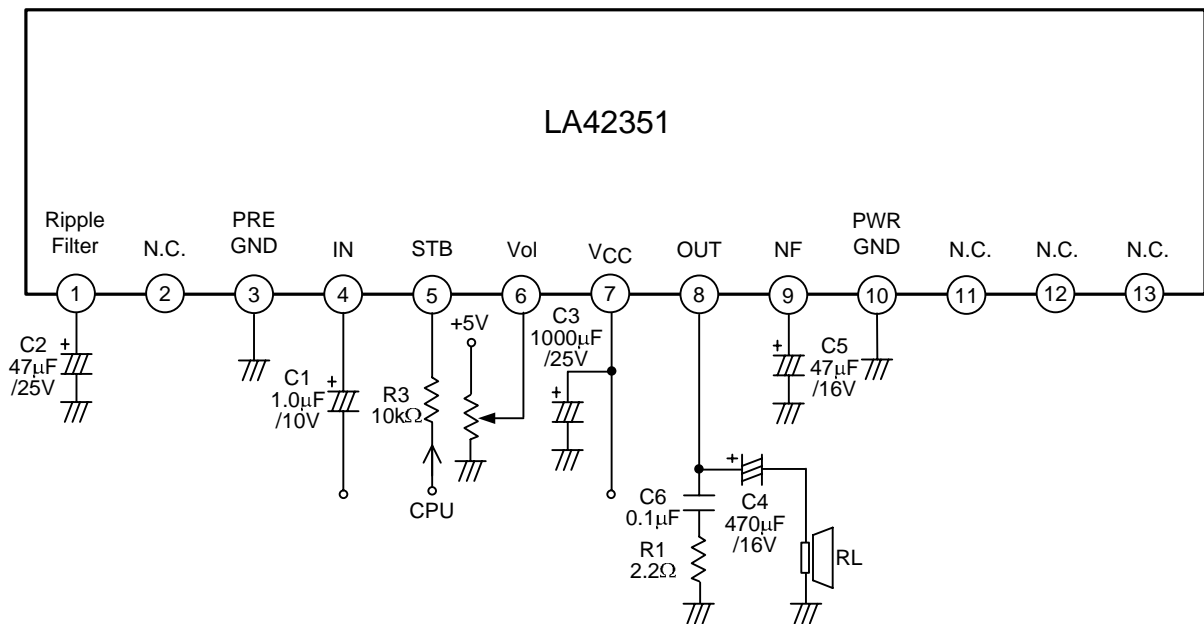


LA42351

Block Diagram



Sample Application Circuit



Pin Description

Pin No	Symbol	Pin Voltage	Description	Equivalent Circuit
		At $V_{CC} = 18V$		
1	RF	17.6	<ul style="list-style-type: none"> Ripple filter reference 	
4	IN	4.4	<ul style="list-style-type: none"> Input pin 	
3	PRE_GND	0	<ul style="list-style-type: none"> Pre GND pin 	
5	STB	0 to 10V (Input voltage)	<ul style="list-style-type: none"> Standby pin The standby function is on when this pin at ground level 	
6	Vol	0 to 5V (Input voltage)	<ul style="list-style-type: none"> Control Volume 	
7	V_{CC}	18	<ul style="list-style-type: none"> Power supply 	

Continued on next page.

LA42351

Continued from preceding page.

Pin No	Symbol	Pin Voltage	Description	Equivalent Circuit
		At $V_{CC} = 18V$		
8	OUT	8.9	<ul style="list-style-type: none"> Output pin 	
9	NF	8.8	<ul style="list-style-type: none"> Negative feedback pin at Power amplifier Connect NF capacitor 	
10	PWR_GND	0	<ul style="list-style-type: none"> Power GND pin 	

Description of External parts

- C1 : Input capacitors. A value of $1.0\mu F$ is recommended for capacitors. Note that the low-frequency area characteristics can be adjusted by changing f_L .
- C2 : Ripple filter capacitor. A value of $47\mu F$ is recommended for capacitors. Decreasing the capacitance value excessively or removing this capacitor causes ripple to occur. However, increasing the capacitance value does not always cause ripple to reduced. Decreasing the capacitance value makes the starting time earlier.
- C3 : Power capacitor.
- C4 : Output capacitors. A value of $470\mu F$ is recommended for capacitors.
- C5 : Feedback capacitor. A value of $47\mu F$ is recommended for capacitors. Decreasing the capacitance value lowers the low frequency response. Increasing the capacitance value makes the starting time later.
- C6 : Oscillation blocking capacitor. Use a polyester film capacitor that is good in high frequency response and temperature characteristic.
- R1 : Resistor connected in series with oscillation blocking capacitor. Prevents phase shift attributable to the oscillation blocking capacitor so that oscillation is hard to occur.
- R3 : Standby switch current limiting resistor. A value of $10k\Omega$ is recommended for resistance (when the applied voltage for the standby switch is 3V to 10V). This resistor cannot be removed.

Features of IC Inside and Usage Note

Standby function

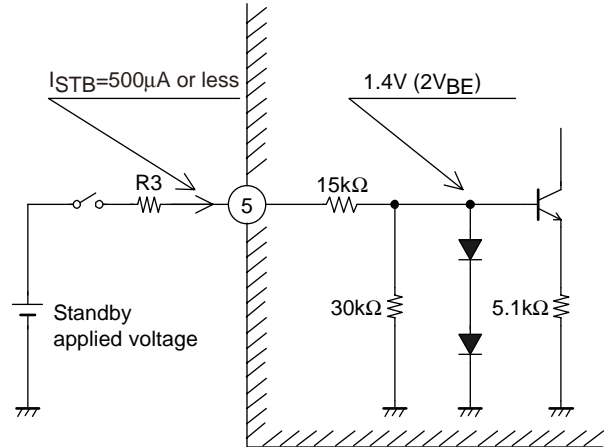
- Pin 5 is the standby switch pin. The amplifier is turned on by applying approximately 3V or more to this pin through an external resistor (R3).

$$I_{STB} = \frac{(5-2V_{BE})}{15k}$$

$$V_{BE} = \text{about } 0.7V$$

- If voltage in excess of 10V is to be applied to the standby switch, calculate the value of R3 using the following formula so that the current flowing into pin 5 is 500µA or less:

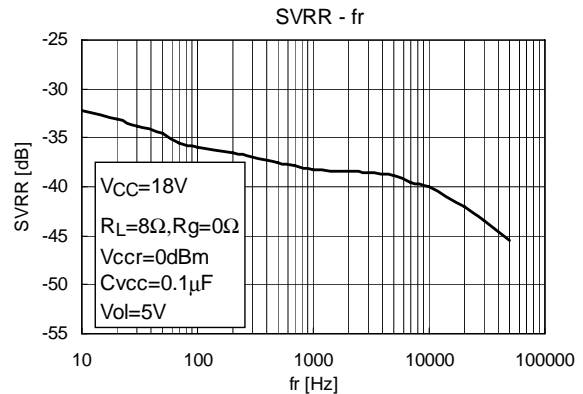
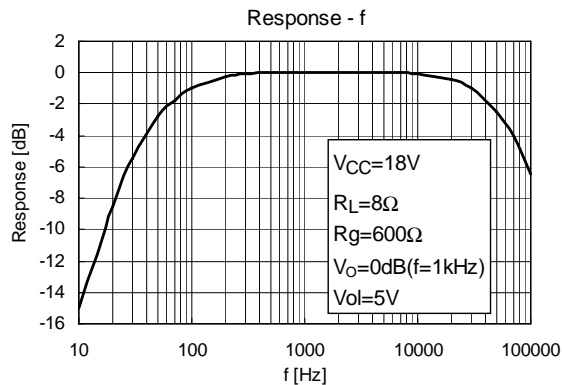
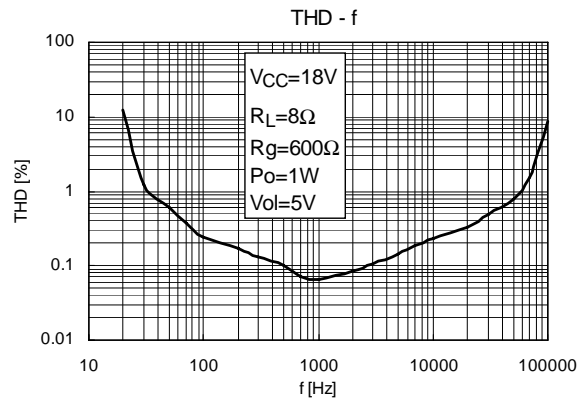
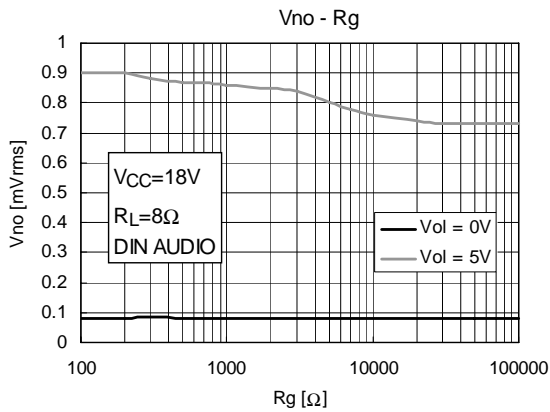
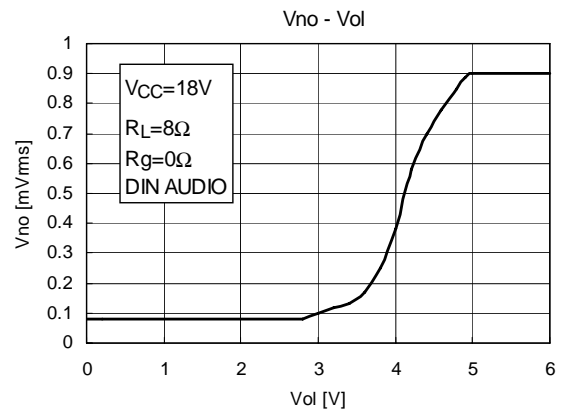
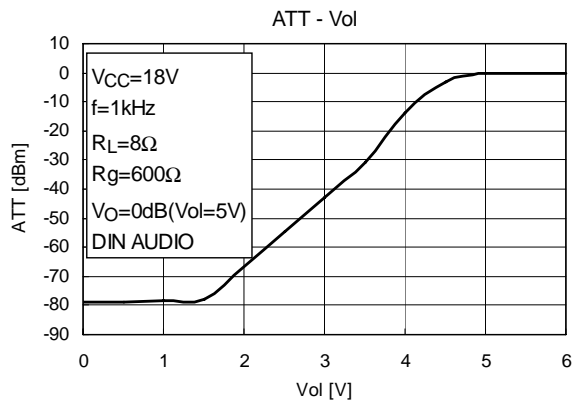
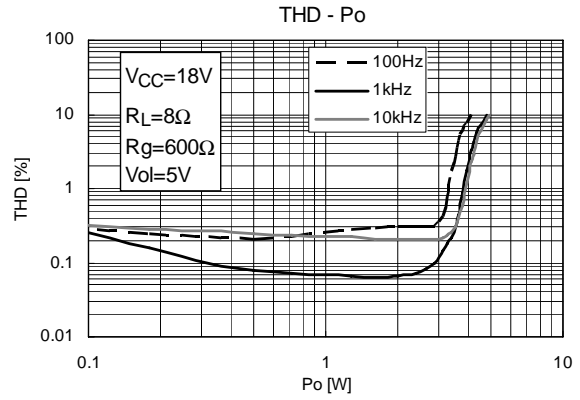
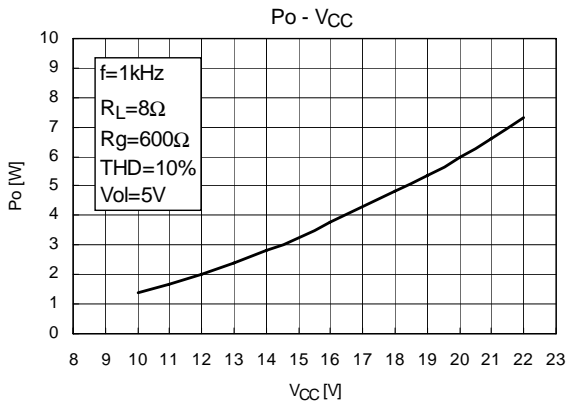
$$R3 = \frac{(\text{Applied voltage} - 2V_{BE})}{500\mu A} - 15k\Omega$$

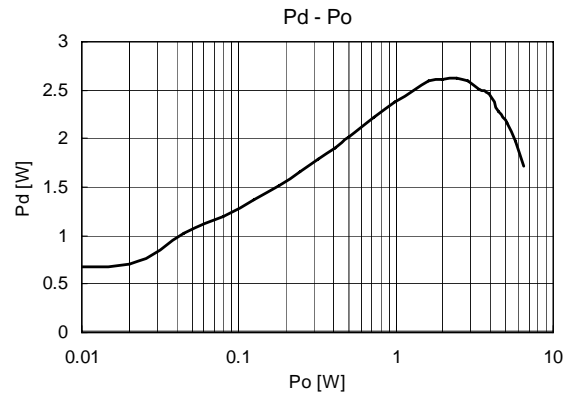
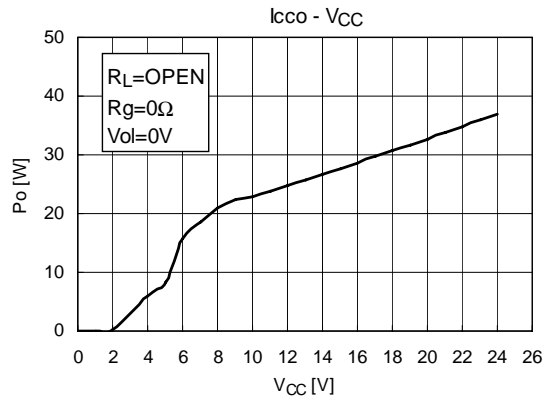


Protector

- In order to prevent damage or degradation which may be caused by abnormally heated IC, the LA42351 has a thermal shutdown protector. Accordingly, if the IC junction temperature (T_j) climbs to around 160°C due to inadequate heat dissipation, the thermal shutdown protector will operate to control the output gradually into attenuation.

LA42351





- SANYO Semiconductor Co.,Ltd. assumes no responsibility for equipment failures that result from using products at values that exceed, even momentarily, rated values (such as maximum ratings, operating condition ranges, or other parameters) listed in products specifications of any and all SANYO Semiconductor Co.,Ltd. products described or contained herein.
- SANYO Semiconductor Co.,Ltd. strives to supply high-quality high-reliability products, however, any and all semiconductor products fail or malfunction with some probability. It is possible that these probabilistic failures or malfunction could give rise to accidents or events that could endanger human lives, trouble that could give rise to smoke or fire, or accidents that could cause damage to other property. When designing equipment, adopt safety measures so that these kinds of accidents or events cannot occur. Such measures include but are not limited to protective circuits and error prevention circuits for safe design, redundant design, and structural design.
- In the event that any or all SANYO Semiconductor Co.,Ltd. products described or contained herein are controlled under any of applicable local export control laws and regulations, such products may require the export license from the authorities concerned in accordance with the above law.
- No part of this publication may be reproduced or transmitted in any form or by any means, electronic or mechanical, including photocopying and recording, or any information storage or retrieval system, or otherwise, without the prior written consent of SANYO Semiconductor Co.,Ltd.
- Any and all information described or contained herein are subject to change without notice due to product/technology improvement, etc. When designing equipment, refer to the "Delivery Specification" for the SANYO Semiconductor Co.,Ltd. product that you intend to use.
- Information (including circuit diagrams and circuit parameters) herein is for example only; it is not guaranteed for volume production.
- Upon using the technical information or products described herein, neither warranty nor license shall be granted with regard to intellectual property rights or any other rights of SANYO Semiconductor Co.,Ltd. or any third party. SANYO Semiconductor Co.,Ltd. shall not be liable for any claim or suits with regard to a third party's intellectual property rights which has resulted from the use of the technical information and products mentioned above.

This catalog provides information as of March, 2008. Specifications and information herein are subject to change without notice.