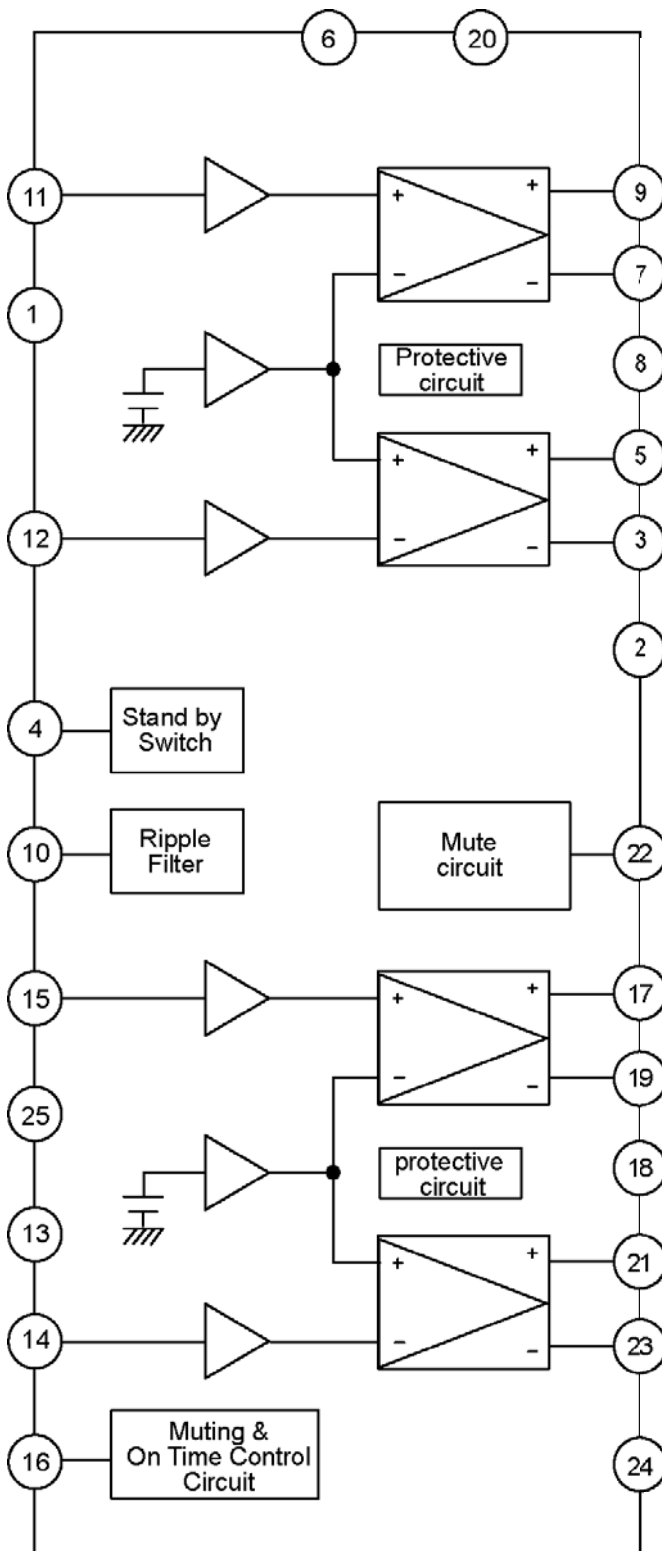


**Part No** LA47515 (01IC301)  
**Information** Power amp.  
**Note**  
**Block Diagram**



1	AC CONT1
2	GND1
3	OUTFR-
4	STBY
5	OUTFR+
6	Vcc1/2
7	OUTFR-
8	GND2
9	OUTFR+
10	VREF
11	INFR
12	INFR
13	SSND
14	INFL
15	INFL
16	ONTIME
17	OUTRL+
18	GND3
19	OUTRL-
20	Vcc3/4
21	OUTRL+
22	MUTE
23	OUTRL-
24	GND4
25	AC CONT2

**Pin Function**

Pin	Label	I/O	Description
1	AC CONT1	-	Header of IC
2	GND1	-	Power GND
3	OUTFR-	-	Outpur(-) for front Rch

4	STBY	-	Stand by input
5	OUTFR+	-	Output (+) for front Rch
6	Vcc1/2	-	Power input
7	OUTRR-	-	Output (-) for rear Rch
8	GND2	-	Power GND
9	OUTRR+	-	Output (+) for rear Rch
10	VREF	-	Ripple filter
11	INRR	-	Rear Rch input
12	INFR	-	Front Rch input
13	SGND	-	Signal GND
14	INFL	-	Front Lch input
15	INRL	-	Rear Lch input
16	ONTIME	-	Power on time control
17	OUTRL+	-	Output (+) for rear Lch
18	GND3	-	Power GND
19	OUTRL-	-	Output (-) for rear Lch
20	Vcc3/4	-	Power input
21	OUTFL+	-	Output (+) for front Lch
22	MUTE	-	Muting control input
23	OUTFL-	-	Output (-) for front Lch
24	GND4	-	Power GND
25	AC CONT2	-	Header of IC