



SANYO Semiconductors

DATA SHEET

LA5744MP — Monolithic Linear IC Separately-Excited Step-Down Switching Regulator (Variable Type)

Overview

The LA5744MP is a separately-excited step-down switching regulator (variable type).

Functions

- High efficiency.
- Time-base generator (300kHz) incorporated.
- Current limiter incorporated.
- Thermal shutdown circuit incorporated.
- Soft start circuit incorporated.

Specifications

Maximum Ratings at $T_a = 25^\circ\text{C}$

| Parameter | Symbol | Conditions | Ratings | Unit |
|------------------------------------|-------------------|------------------------------|-------------|------------------|
| Input voltage | V_{IN} | | 30 | V |
| Maximum output current | $I_O \text{ max}$ | | 3 | A |
| SW pin application reverse voltage | V_{SW} | | -1 | V |
| Allowable power dissipation | $P_d \text{ max}$ | Mounted on a circuit board.* | 3.9 | W |
| Operating temperature | T_{opr} | | -30 to +125 | $^\circ\text{C}$ |
| Storage temperature | T_{stg} | | -40 to +150 | $^\circ\text{C}$ |

* Specified circuit board : $76.1 \times 114.3 \times 1.6 \text{ mm}^3$: Copper foil ratio 60% FR4

Recommended Operating Conditions at $T_a = 25^\circ\text{C}$

| Parameter | Symbol | Conditions | Ratings | Unit |
|---------------------|----------|------------|-----------|------|
| Input voltage range | V_{IN} | | 4.5 to 28 | V |

■ Any and all SANYO Semiconductor Co.,Ltd. products described or contained herein are, with regard to "standard application", intended for the use as general electronics equipment (home appliances, AV equipment, communication device, office equipment, industrial equipment etc.). The products mentioned herein shall not be intended for use for any "special application" (medical equipment whose purpose is to sustain life, aerospace instrument, nuclear control device, burning appliances, transportation machine, traffic signal system, safety equipment etc.) that shall require extremely high level of reliability and can directly threaten human lives in case of failure or malfunction of the product or may cause harm to human bodies, nor shall they grant any guarantee thereof. If you should intend to use our products for applications outside the standard applications of our customer who is considering such use and/or outside the scope of our intended standard applications, please consult with us prior to the intended use. If there is no consultation or inquiry before the intended use, our customer shall be solely responsible for the use.

■ Specifications of any and all SANYO Semiconductor Co.,Ltd. products described or contained herein stipulate the performance, characteristics, and functions of the described products in the independent state, and are not guarantees of the performance, characteristics, and functions of the described products as mounted in the customer's products or equipment. To verify symptoms and states that cannot be evaluated in an independent device, the customer should always evaluate and test devices mounted in the customer's products or equipment.

SANYO Semiconductor Co., Ltd.

TOKYO OFFICE Tokyo Bldg., 1-10, 1 Chome, Ueno, Taito-ku, TOKYO, 110-8534 JAPAN

LA5744MP

Electrical Characteristics at $T_a = 25^\circ\text{C}$, $V_O = 5\text{V}$

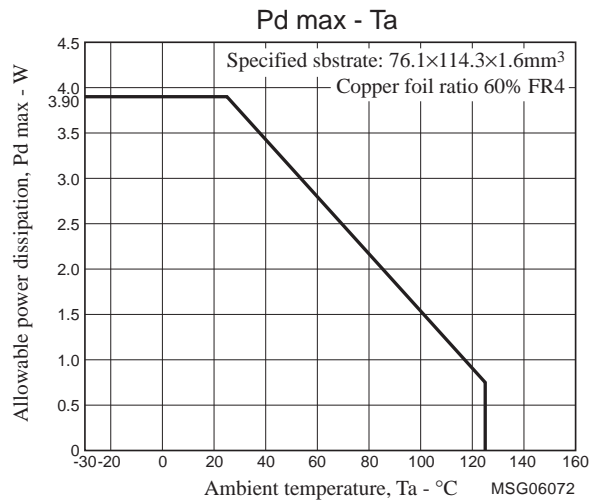
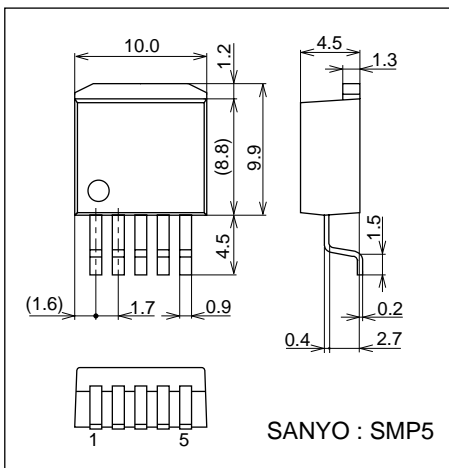
| Parameter | Symbol | Conditions | Ratings | | | Unit |
|--|---------------------------|--|---------|-----------|------|----------------------|
| | | | min | typ | max | |
| Reference voltage | V_{OS} | $V_{IN} = 15\text{V}$, $I_O = 1.0\text{A}$ | 1.20 | 1.23 | 1.26 | V |
| Efficiency | η | $V_{IN} = 15\text{V}$, $I_O = 1.0\text{A}$ | | 83 | | % |
| Switching frequency | f | $V_{IN} = 15\text{V}$, $I_O = 1.0\text{A}$ | 240 | 300 | 360 | kHz |
| Line regulation | $\Delta V_{O\text{LINE}}$ | $V_{IN} = 8$ to 20V , $I_O = 1.0\text{A}$ | | 40 | 100 | mV |
| Load regulation | $\Delta V_{O\text{LOAD}}$ | $V_{IN} = 20\text{V}$, $I_O = 0.5$ to 1.5A | | 10 | 30 | mV |
| Output voltage temperature coefficient | $\Delta V_O/\Delta T_a$ | Designed target value. * | | ± 0.5 | | mV/ $^\circ\text{C}$ |
| Ripple attenuation factor | RREJ | $f = 100$ to 120Hz | | 45 | | dB |
| Current limiter operating voltage | I_S | $V_{IN} = 15\text{V}$ | 3.1 | | | A |
| Thermal shutdown operating temperature | TSD | Designed target value. * | | 165 | | $^\circ\text{C}$ |
| Thermal shutdown Hysteresis width | ΔTSD | Designed target value. * | | 15 | | $^\circ\text{C}$ |

* Design target value : No measurement made.

Package Dimensions

unit : mm (typ)

3275

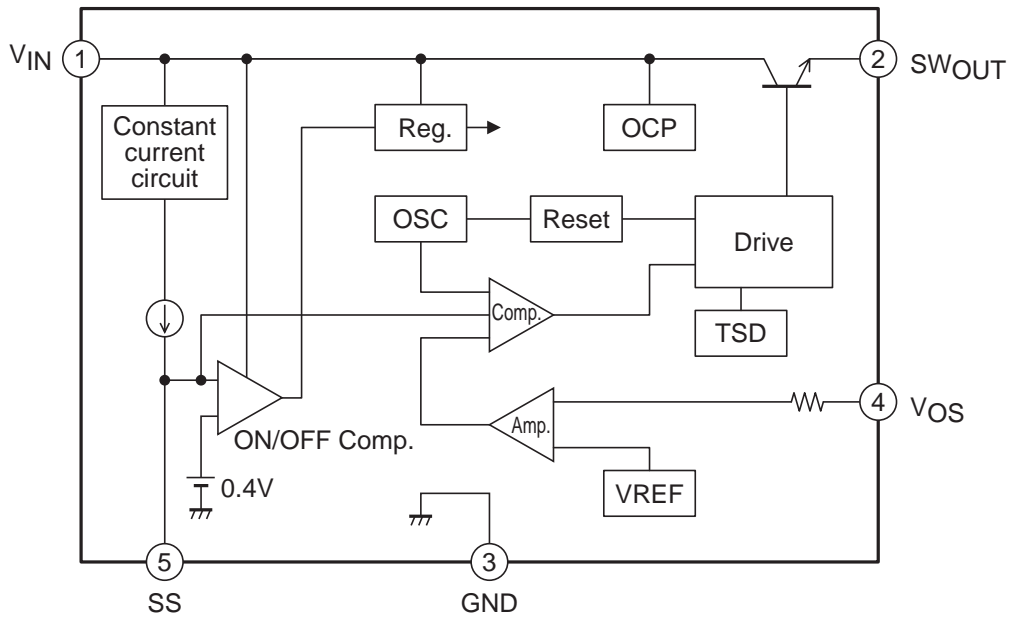


Pin Assignment

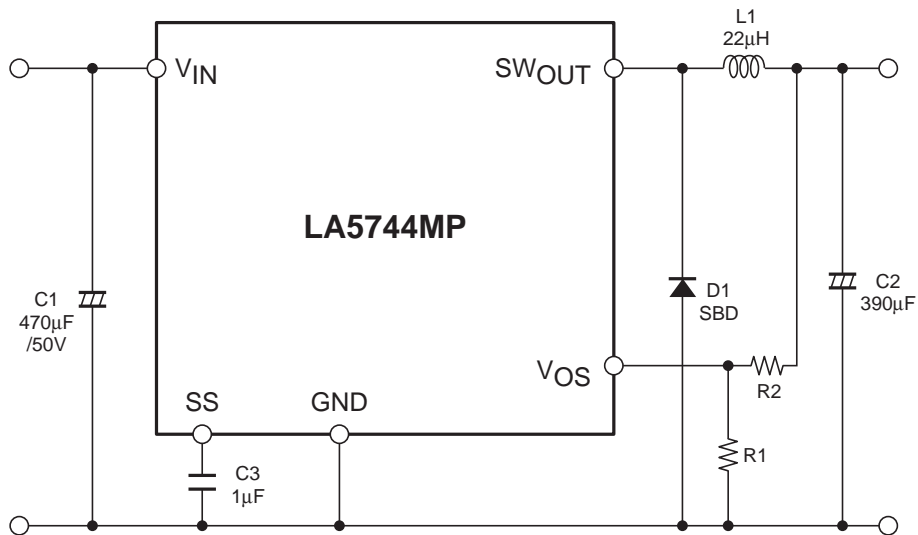
(1) V_{IN} (2) SW_{OUT} (3) GND (4) V_{OS} (5) SS

LA5744MP

Block Diagram



Application Circuit Example



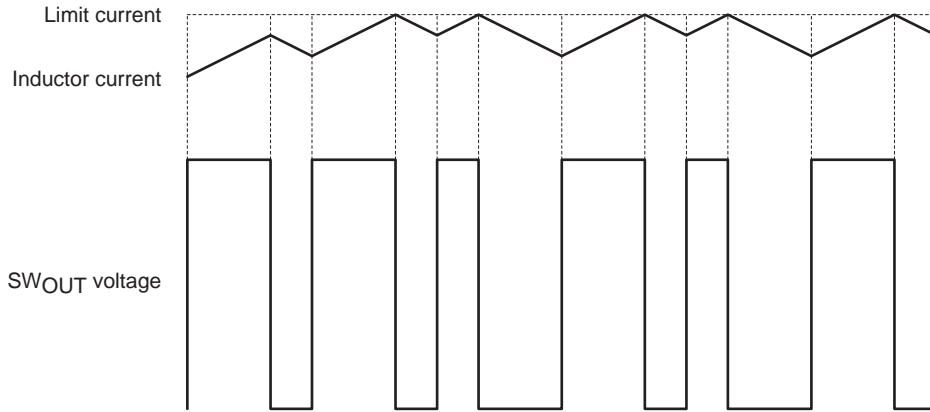
Notes :

1. C3 is for the soft start function. Delete C3 and keep the SS pin open when the soft start function is not necessary.
2. In some cases, the output may not turn on if power is applied when a load is connected. If this is a problem, increase the value of the inductor.

Protection Circuit Functional Descriptions

1. Overcurrent protection function

The overcurrent protection function detects, on a cycle-by-cycle basis, the output transistor current and turns off that output transistor current if it exceeds 3.1A.



2. Short circuit protection function

This IC prevents the current from increasing when the outputs are shorted by setting the switching frequency to 30kHz if the V_{OS} pin voltage falls below 0.8V.

Note 3 : If the soft start function is not used, the IC will start up with the overcurrent protection function operating. At this time, the switching frequency will be cut in half. This means that the switching frequency will be 15kHz at startup.

Note 4 : Since the switching frequency becomes 30kHz when the V_{OS} pin voltage falls under 0.8V, the current capacity is reduced. If a load is applied with the V_{OS} pin voltage over 0.8V, the inductance value operates at 22μH. If a load is to be applied when this voltage is under 0.8V, the inductance value must be increased.

Description of Functional Settings

1. Calculation equation to set the output voltage

This IC controls the switching output so that the V_{OS} pin voltage becomes 1.23V (typ).

The equation to set the output voltage is as follows :

$$V_O = \left(1 + \frac{R_2}{R_1}\right) \times 1.23V(typ)$$

The V_{OS} pin has the inrush current of 1μA (typ). Therefore, the error becomes larger when R1 and R2 resistance values are large.

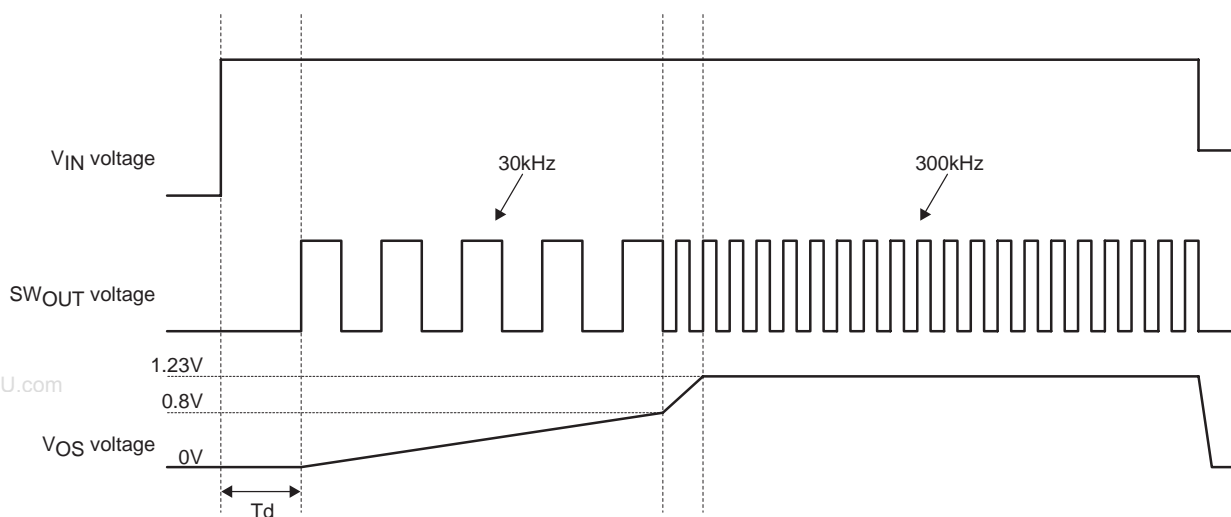
2. Startup Delay Function

The output voltage rises when the internal voltage reaches 0.4V (typical). Until that point, a capacitor is charged from an internal 10μA (typical) constant-current supply. The startup delay time can be calculated as shown below

Example : Assume a 1μF capacitor is used.

$$Td = \frac{C \times V}{i} = \frac{1\mu F \times 0.4}{10\mu A} = 40 ms$$

Timing Chart



- SANYO Semiconductor Co.,Ltd. assumes no responsibility for equipment failures that result from using products at values that exceed, even momentarily, rated values (such as maximum ratings, operating condition ranges, or other parameters) listed in products specifications of any and all SANYO Semiconductor Co.,Ltd. products described or contained herein.
- SANYO Semiconductor Co.,Ltd. strives to supply high-quality high-reliability products, however, any and all semiconductor products fail or malfunction with some probability. It is possible that these probabilistic failures or malfunction could give rise to accidents or events that could endanger human lives, trouble that could give rise to smoke or fire, or accidents that could cause damage to other property. When designing equipment, adopt safety measures so that these kinds of accidents or events cannot occur. Such measures include but are not limited to protective circuits and error prevention circuits for safe design, redundant design, and structural design.
- In the event that any or all SANYO Semiconductor Co.,Ltd. products described or contained herein are controlled under any of applicable local export control laws and regulations, such products may require the export license from the authorities concerned in accordance with the above law.
- No part of this publication may be reproduced or transmitted in any form or by any means, electronic or mechanical, including photocopying and recording, or any information storage or retrieval system, or otherwise, without the prior written consent of SANYO Semiconductor Co.,Ltd.
- Any and all information described or contained herein are subject to change without notice due to product/technology improvement, etc. When designing equipment, refer to the "Delivery Specification" for the SANYO Semiconductor Co.,Ltd. product that you intend to use.
- Information (including circuit diagrams and circuit parameters) herein is for example only; it is not guaranteed for volume production.
- Upon using the technical information or products described herein, neither warranty nor license shall be granted with regard to intellectual property rights or any other rights of SANYO Semiconductor Co.,Ltd. or any third party. SANYO Semiconductor Co.,Ltd. shall not be liable for any claim or suits with regard to a third party's intellectual property rights which has resulted from the use of the technical information and products mentioned above.

This catalog provides information as of March, 2007. Specifications and information herein are subject to change without notice.