



SANYO Semiconductors

DATA SHEET

LA6393D — Monolithic Linear IC LA6393S High-Performance Dual Comparator

Overview

The LA6393D and 6393S are high-performance dual comparators that are capable of operating from a single power supply voltage over a wide range of 2 to 36V. Because of their excellent input characteristics and low power, they can be very conveniently applied to multisignal parallel comparator circuits that require high-density assembly.

Features

- LA6393D: DIP-8 pin package, LA6393S: SIP-9 pin package.
- Wide operating power-supply voltage range (Single power supply: 2.0 to 36.0V, dual power supplies: ± 1.0 to ± 18.0 V).
- Wide common-mode input voltage range (0 to $V_{CC}-1.5$ V).
- Open-collector output enabling wired OR.
- Small current drain (0.6mA) and low power.

Specifications

Absolute Maximum Ratings at $T_a = 25^\circ\text{C}$

Parameter	Symbol	Conditions	Ratings	Unit
Maximum supply voltage	$V_{CC\text{ max}}$		36	V
Differential input voltage	V_{ID}		36	V
Common-mode input voltage range	V_{ICM}		-0.3 to +36	V
Allowable power dissipation	$P_d\text{ max}$		570	mW
Operating temperature	T_{opr}		-30 to +85	$^\circ\text{C}$
Storage temperature	T_{stg}		-55 to +125	$^\circ\text{C}$

■ Any and all SANYO Semiconductor products described or contained herein do not have specifications that can handle applications that require extremely high levels of reliability, such as life-support systems, aircraft's control systems, or other applications whose failure can be reasonably expected to result in serious physical and/or material damage. Consult with your SANYO Semiconductor representative nearest you before using any SANYO Semiconductor products described or contained herein in such applications.

■ SANYO Semiconductor assumes no responsibility for equipment failures that result from using products at values that exceed, even momentarily, rated values (such as maximum ratings, operating condition ranges, or other parameters) listed in products specifications of any and all SANYO Semiconductor products described or contained herein.

SANYO Semiconductor Co., Ltd.

TOKYO OFFICE Tokyo Bldg., 1-10, 1 Chome, Ueno, Taito-ku, TOKYO, 110-8534 JAPAN

LA6393D / LA6393S

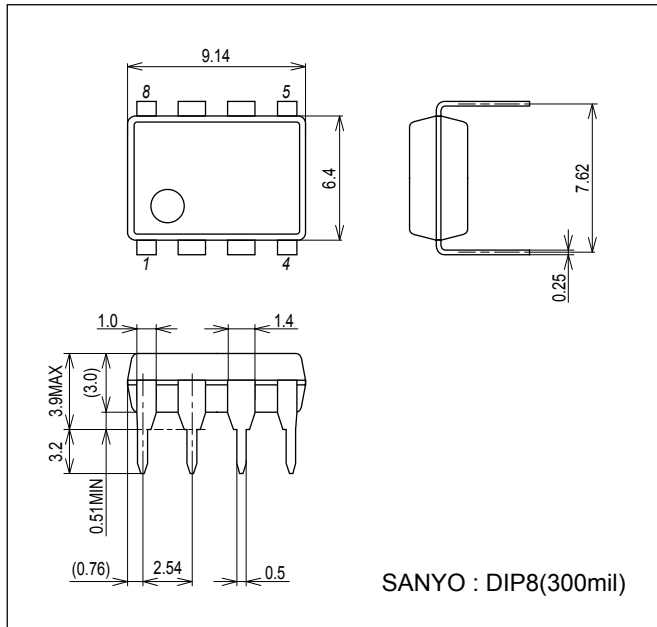
Operating Characteristics at $T_a = 25^\circ\text{C}$, $V_{CC} = 5\text{V}$

Parameter	Symbol	Conditions	Test Circuit	Ratings			unit
				min	typ	max	
Input offset voltage	V_{IO}		1		± 1	± 5	mV
Input offset current	I_{IO}		2		± 5	± 50	nA
Input bias current	I_B		3		25	250	nA
Common-mode input voltage range	V_{ICM}			0		$V_{CC}-1.5$	V
Supply current	I_{CC}	$R_L = \infty$	4		0.6	1	mA
Voltage gain	V_G	$R_L = 15\text{k}\Omega$	5		200		V/mV
Response time		$V_{RL} = 5\text{V}$, $R_L = 5.1\text{k}\Omega$	6		1.3		μs
Output sink current	I_{SINK}	$V_{IN^-} = 1\text{V}$, $V_{IN^+} = 0\text{V}$, $V_O \leq 1.5\text{V}$	7	6	16		mA
Output saturation current	V_{OL}	$V_{IN^-} = 1\text{V}$, $V_{IN^+} = 0\text{V}$, $I_{SINK} \leq 3\text{mA}$	8		0.2	0.4	V
Output leakage current	I_{LEAK}	$V_{IN^-} = 0\text{V}$, $V_{IN^+} = 1\text{V}$, $V_O = 5\text{V}$	9		0.1		nA

Package Dimensions

unit: mm (typ)

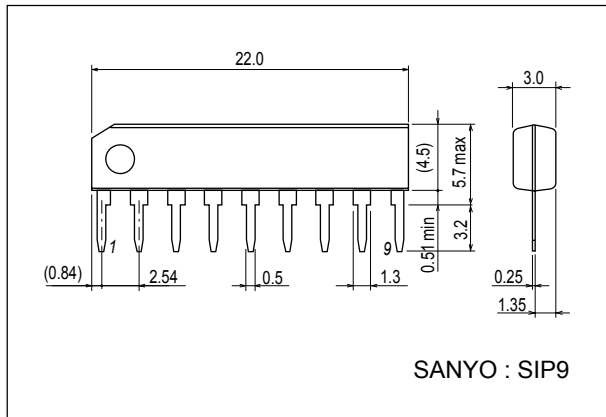
3001D [LA6393D]



Package Dimensions

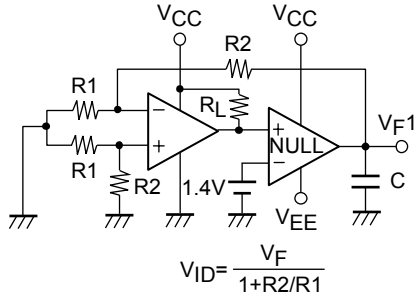
unit: mm (typ)

3017D [LA6393S]



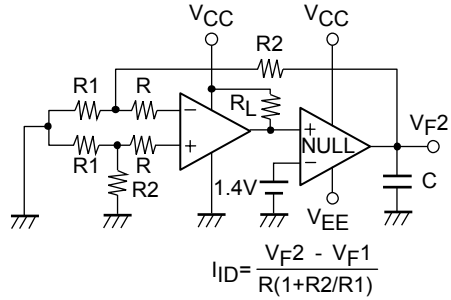
Test Circuits

1. Input Offset Voltage



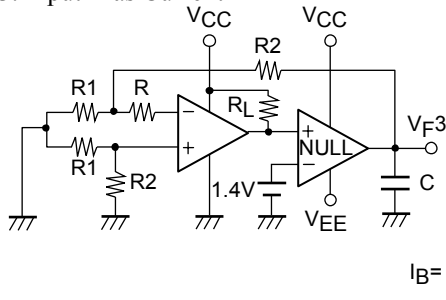
ILA07103

2. Input Offset Current



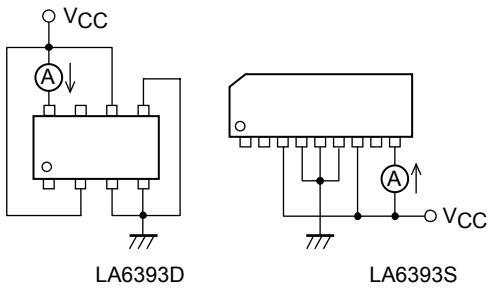
ILA07104

3. Input Bias Current



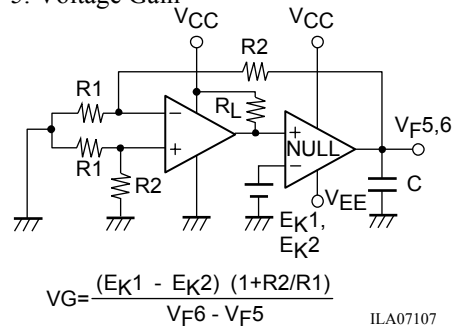
ILA07105

4. Supply Current



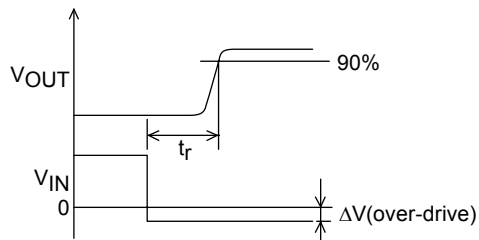
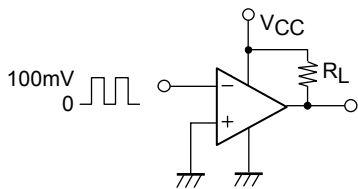
ILA07106

5. Voltage Gain



ILA07107

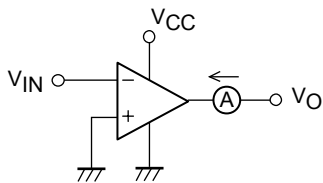
6. Response Time



ΔV: Overdrive

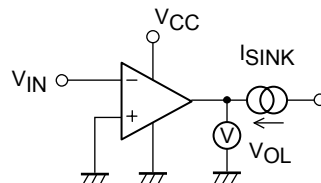
ILA07108

7. Output Sink Current



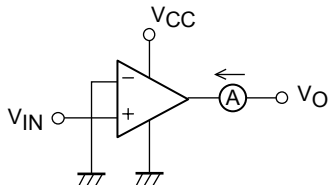
ILA07109

8. Output Saturation Voltage



ILA07110

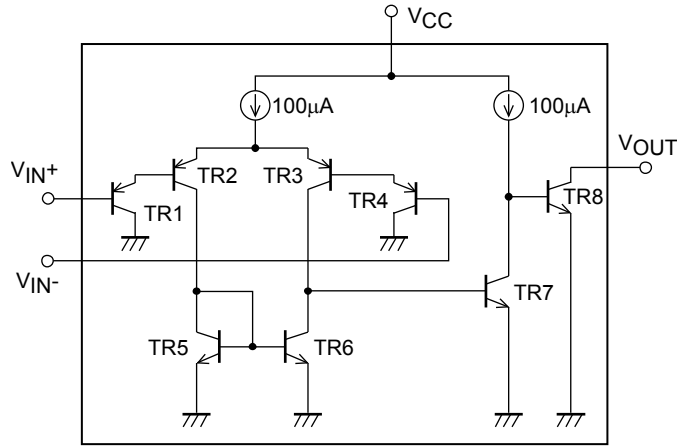
9. Output Leakage Current



ILA07111

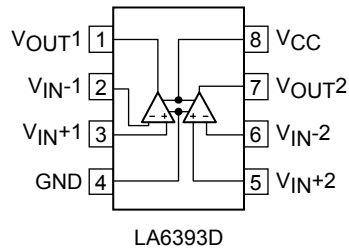
LA6393D / LA6393S

Equivalent Circuit

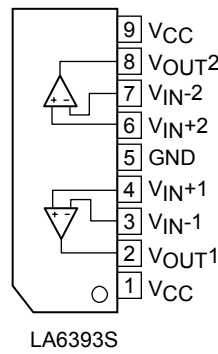


ILA07112

Pin Assignment

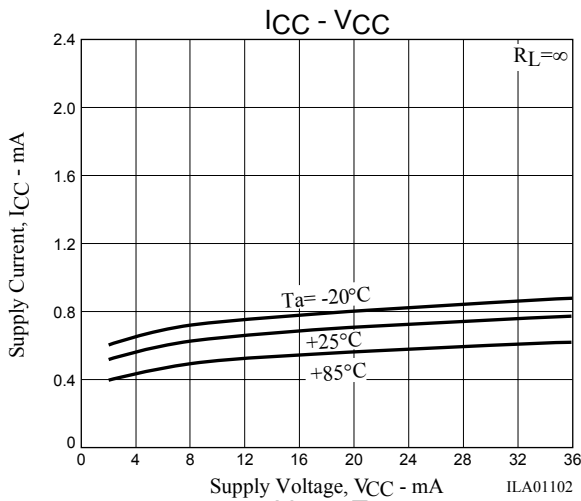


LA6393D

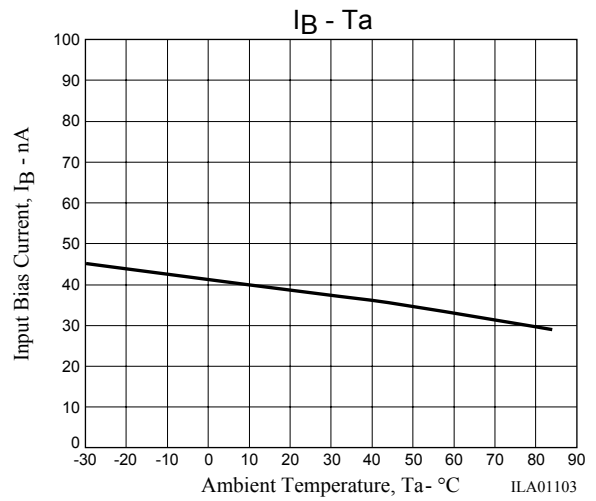


LA6393S

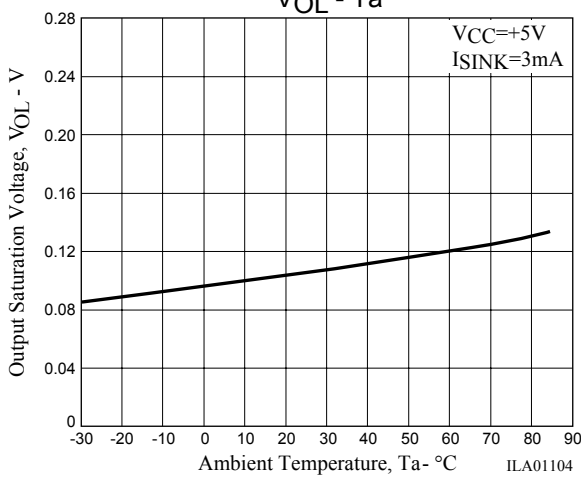
ILA07113



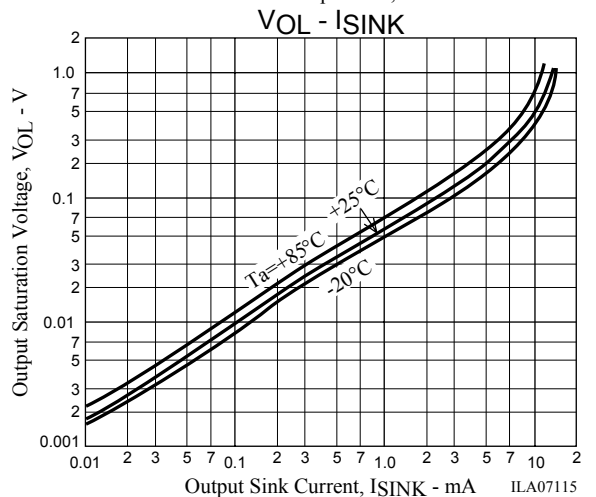
ILA01102



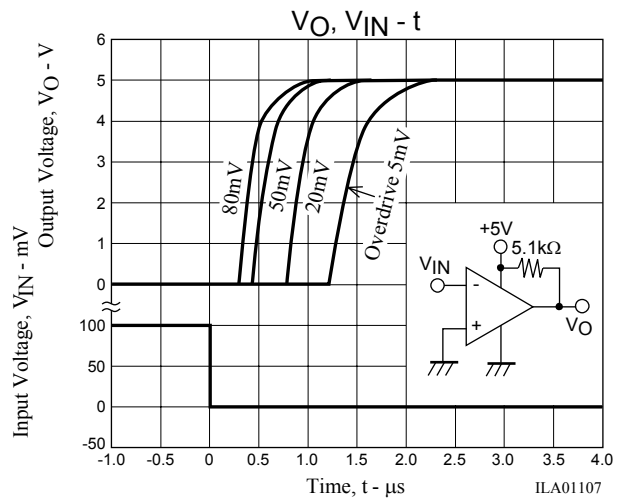
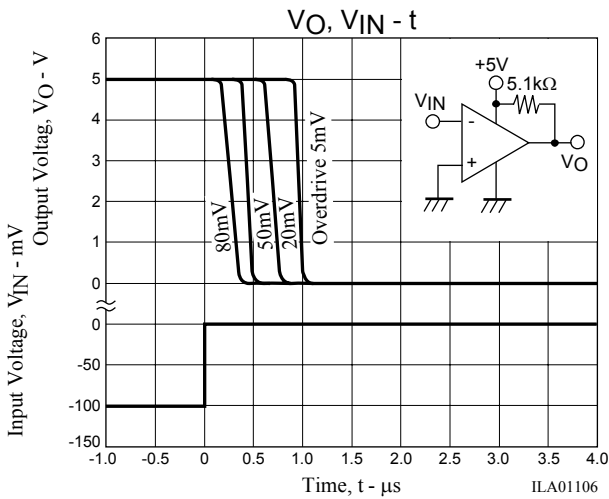
ILA01103



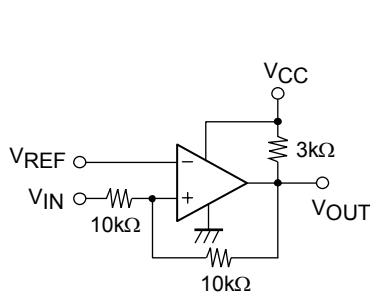
ILA01104



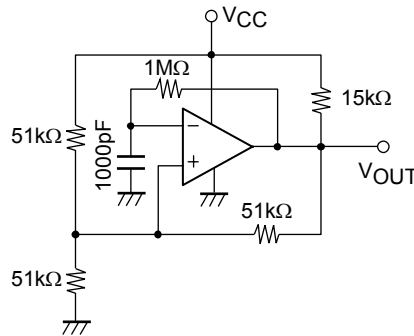
ILA07115



Sample Application Circuits



Voltage comparator (with hysteresis)



Square wave generator

ILA07114

■ Specifications of any and all SANYO Semiconductor products described or contained herein stipulate the performance, characteristics, and functions of the described products in the independent state, and are not guarantees of the performance, characteristics, and functions of the described products as mounted in the customer's products or equipment. To verify symptoms and states that cannot be evaluated in an independent device, the customer should always evaluate and test devices mounted in the customer's products or equipment.

■ SANYO Semiconductor Co., Ltd. strives to supply high-quality high-reliability products. However, any and all semiconductor products fail with some probability. It is possible that these probabilistic failures could give rise to accidents or events that could endanger human lives, that could give rise to smoke or fire, or that could cause damage to other property. When designing equipment, adopt safety measures so that these kinds of accidents or events cannot occur. Such measures include but are not limited to protective circuits and error prevention circuits for safe design, redundant design, and structural design.

■ In the event that any or all SANYO Semiconductor products (including technical data, services) described or contained herein are controlled under any of applicable local export control laws and regulations, such products must not be exported without obtaining the export license from the authorities concerned in accordance with the above law.

■ No part of this publication may be reproduced or transmitted in any form or by any means, electronic or mechanical, including photocopying and recording, or any information storage or retrieval system, or otherwise, without the prior written permission of SANYO Semiconductor Co., Ltd.

■ Any and all information described or contained herein are subject to change without notice due to product/technology improvement, etc. When designing equipment, refer to the "Delivery Specification" for the SANYO Semiconductor product that you intend to use.

■ Information (including circuit diagrams and circuit parameters) herein is for example only; it is not guaranteed for volume production. SANYO Semiconductor believes information herein is accurate and reliable, but no guarantees are made or implied regarding its use or any infringements of intellectual property rights or other rights of third parties.

This catalog provides information as of October, 2006. Specifications and information herein are subject to change without notice.