



ON Semiconductor®

<http://onsemi.com>

# LA6571

## Monolithic Linear IC 5CH Driver for Mini Disk and Compact Disk

### Overview

The LA6571 is 5-channel driver for mini disk and compact disk applications (BTL-AMP: 5CH).

### Features

- Power amplifier 5-channel built-in.
- $I_O$  max 1A
- Level shift circuit built-in.
- Mute circuit (output ON/OFF) with three built-in channels (2-2-1).  
(Operates independently for each of MUTE1: CH1 and 2, MUTE2: CH3 and 4, and MUTE3: CH5.  
Not operating for the regulator (REG))
- Regulator (REG) built-in (external PNP transistor).  
Voltage setting (typ: 1.5V or more) with an external resistor
- Overheat protection circuit (thermal shutdown) built-in.

### Specifications

#### Maximum Ratings at $T_a = 25^\circ\text{C}$

Parameter	Symbol	Conditions	Ratings	Unit
Supply voltage	$V_{CC}$ max		14	V
Maximum output current	$I_O$ max	Each output for channel 1 to 5.	1	A
Maximum input voltage	$V_{INB}$		13	V
MUTE pin voltage	$V_{MUTE}$		13	V
Allowable loss	$P_d$ max	Independent IC	0.8	W
		Mounted on a specified board*	2	W
Operating temperature	$T_{opr}$		-30 to +85	$^\circ\text{C}$
Storage temperature	$T_{stg}$		-55 to +150	$^\circ\text{C}$

\* Mounted on a specified board: 76.1mm×114.3mm×1.6mm glass epoxy

Stresses exceeding Maximum Ratings may damage the device. Maximum Ratings are stress ratings only. Functional operation above the Recommended Operating Conditions is not implied. Extended exposure to stresses above the Recommended Operating Conditions may affect device reliability.

#### Recommended Operating Conditions at $T_a = 25^\circ\text{C}$

Parameter	Symbol	Conditions	Ratings	Unit
Supply voltage 1	$V_{CC1}$		4.5 to $V_{CC2}$	V
Supply voltage 2	$V_{CC2}$		6 to 13	V

# LA6571

**Electrical Characteristics** at  $T_a = 25^\circ\text{C}$ ,  $V_{CC1} = 5\text{V}$ ,  $V_{CC2} = 12\text{V}$ ,  $V_{REF-IN} = 1.65\text{V}$ , unless especially specified

Parameter	Symbol	Conditions	Ratings			Unit
			min	typ	max	
[ALL Blocks]						
No-load current drain ON	$I_{CC\ ON}$	All outputs ON *1		30	50	mA
No-load current drain OFF	$I_{CC\ OFF}$	All outputs OFF *1		10	20	mA
VREF input voltage range	$V_{REF-IN}$		1		$V_{CC2}-1$	V
Thermal shutdown temperature	TSD	*7	150	175	200	$^\circ\text{C}$
[BTL AMP Block] (CH1 to CH5)						
Output offset voltage	$V_{OFF}$	Voltage difference in output between BTL AMP and each channel.	-50		50	mV
Output offset voltage	$V_{OFF1}$	Voltage difference in output between BTL AMP and each channel.	-80		80	mV
Output voltage	$V_O$	CH1,CH2 *3	3.2	4.0		V
Output voltage	$V_{O1}$	CH3,CH4,CH5 *4	9.7	10.5		V
Closed-circuit voltage gain	$V_{G1}$	Gain between input and output for CH1, CH2, and CH5 *2	4.2	5.0	6.0	times
Closed-circuit voltage gain	$V_{G3}$	Gain between input and output for CH3 and CH4 *2	8.2	9.0	11.0	times
Slew rate	SR	AMP independent. Multiply 2 between outputs. *7		0.5		V/ $\mu\text{s}$
MUTE ON voltage	$V_{MUTE\ ON}$	Each MUTE *6	2			V
MUTE OFF voltage	$V_{MUTE\ OFF}$	Each MUTE *6			0.5	V
[Input AMP Block]						
Input voltage range	$V_{IN\ op}$		0		$V_{CC2}-1.5$	V
Output offset voltage	$V_{OFF\ op}$		-10		10	mV
Output current (SINK)	SINK op		2			mA
Output current (SOURCE)	SOURCE op	*5	300	500		$\mu\text{A}$
[Power Supply Block] (PNP transistor: 2SB632K)						
Regulator output	$V_{OUT}$	For error Amp, $R_L = 10\text{k}\Omega$ at buffer	1.2	1.3	1.4	V
REG-IN SINK current	REG-IN-SINK	Base current to external PNP	5	10		mA
Line regulation	$\Delta V_{OLN}$	$6\text{V} \leq V_{CC} \leq 12\text{V}$ , $I_O = 200\text{mA}$		20	150	mV
Load regulation	$\Delta V_{OLD}$	$5\text{mA} \leq I_O \leq 200\text{mA}$		50	200	mV

\*1. Current dissipation that is a sum of  $V_{CC1}$  and  $V_{CC2}$  at no load.

\*2. Input AMP is a BUFFER AMP.

\*3. Voltage difference between both ends of load ( $8\Omega$ ). Output saturated.

\*4. Voltage difference between both ends of load ( $12\Omega$ ). Output saturated.

\*5. The source of input OP-AMP is a constant current. (See the specified block diagram.)

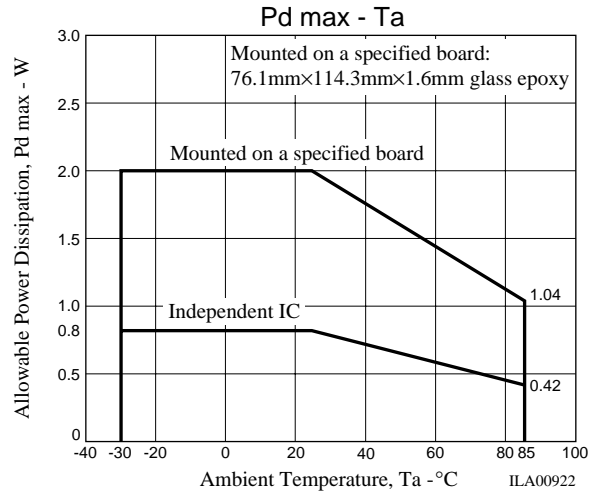
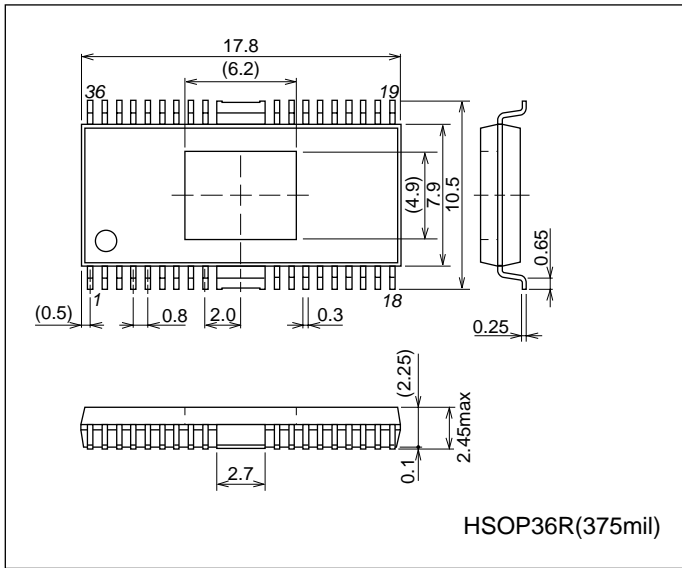
As the  $11\text{k}\Omega$  resistance to the next stage is a load, pay due attention when setting the input OP-AMP gain.

\*6. Output ON with MUTE: [H] and OFF with MUTE: [L] (HI impedance).

\*7. Design guarantee value

Package Dimensions

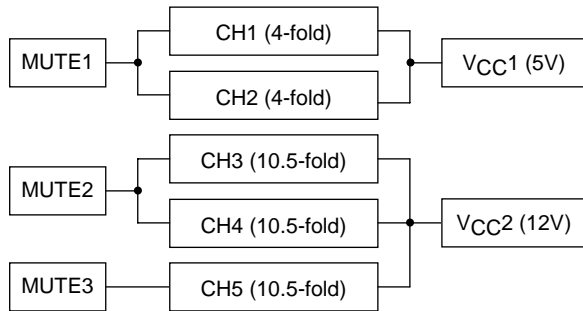
unit : mm  
3251



Pin Description

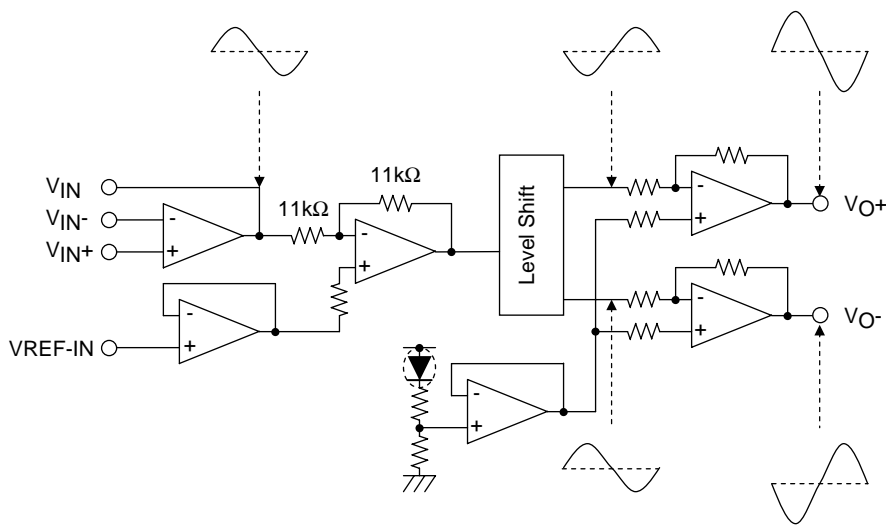
Pin Name	Pin Name	Pin No.	Equivalent Circuit Diagram	Description
Input	VIN1+ VIN1- VIN1 VIN2+ VIN2- VIN2 VIN3+ VIN3- VIN3 VIN4+ VIN4- VIN4 VIN5+ VIN5- VIN5	17 16 15 20 19 18 23 22 21 30 29 31 32 33 34		Each input pin
Output	VO1+ VO1- VO2+ VO2- VO3+ VO3- VO4+ VO4- VO5+ VO5-	12 13 10 11 8 9 6 7 5 4		Each output
MUTE	MUTE1 MUTE2 MUTE3	1 2 36		Turns ON/OFF the output for MUTE1: CH1, 2 MUTE2: CH3, 4, and MUTE3: CH5. Each MUTE operates independently. MUTE: H output ON MUTE: L output OFF With the output OFF, the output has a high impedance.

**Relationship between MUTE and Power (VCC)**

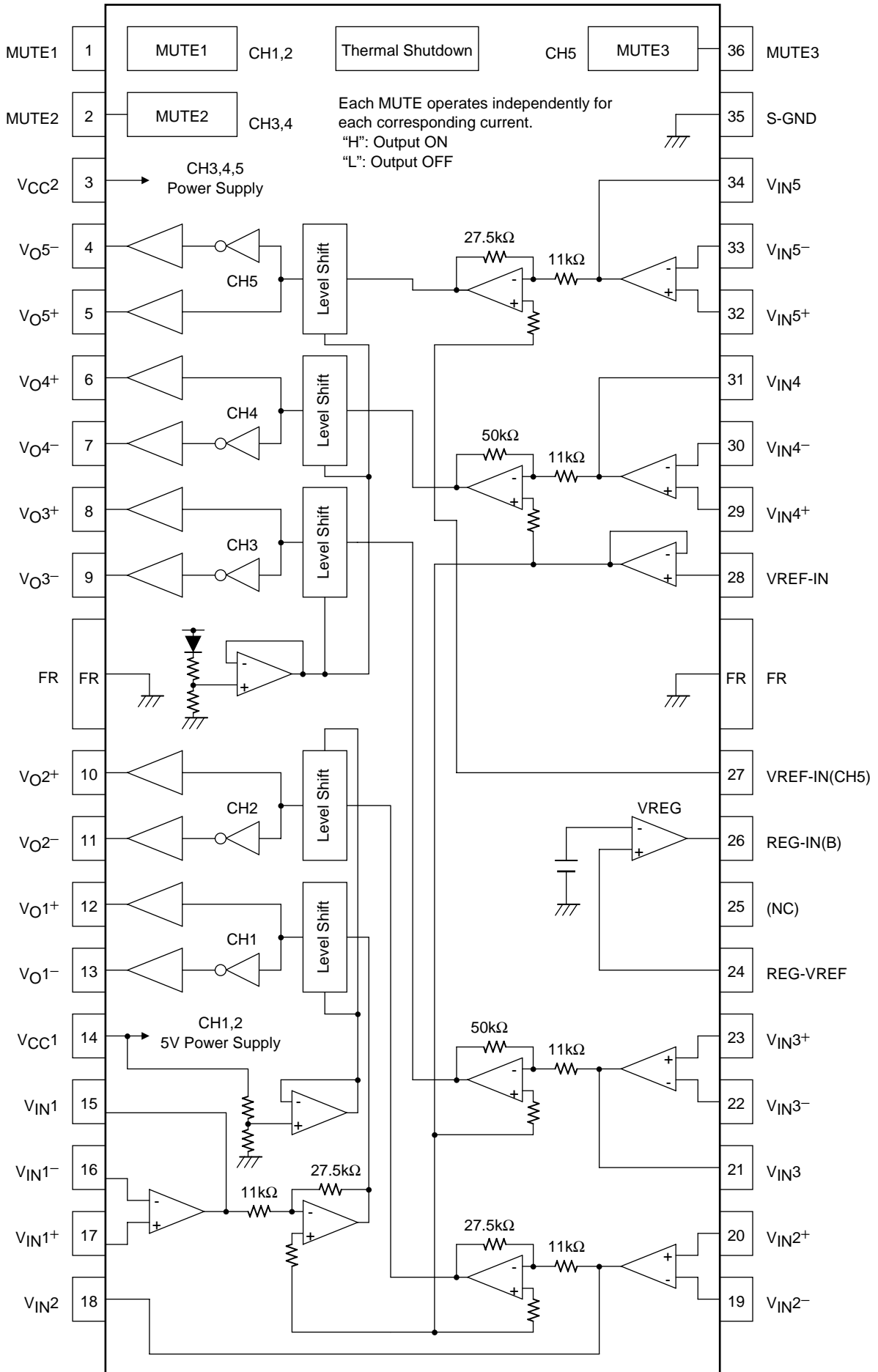


\* MUTE operates independently for each corresponding channel.

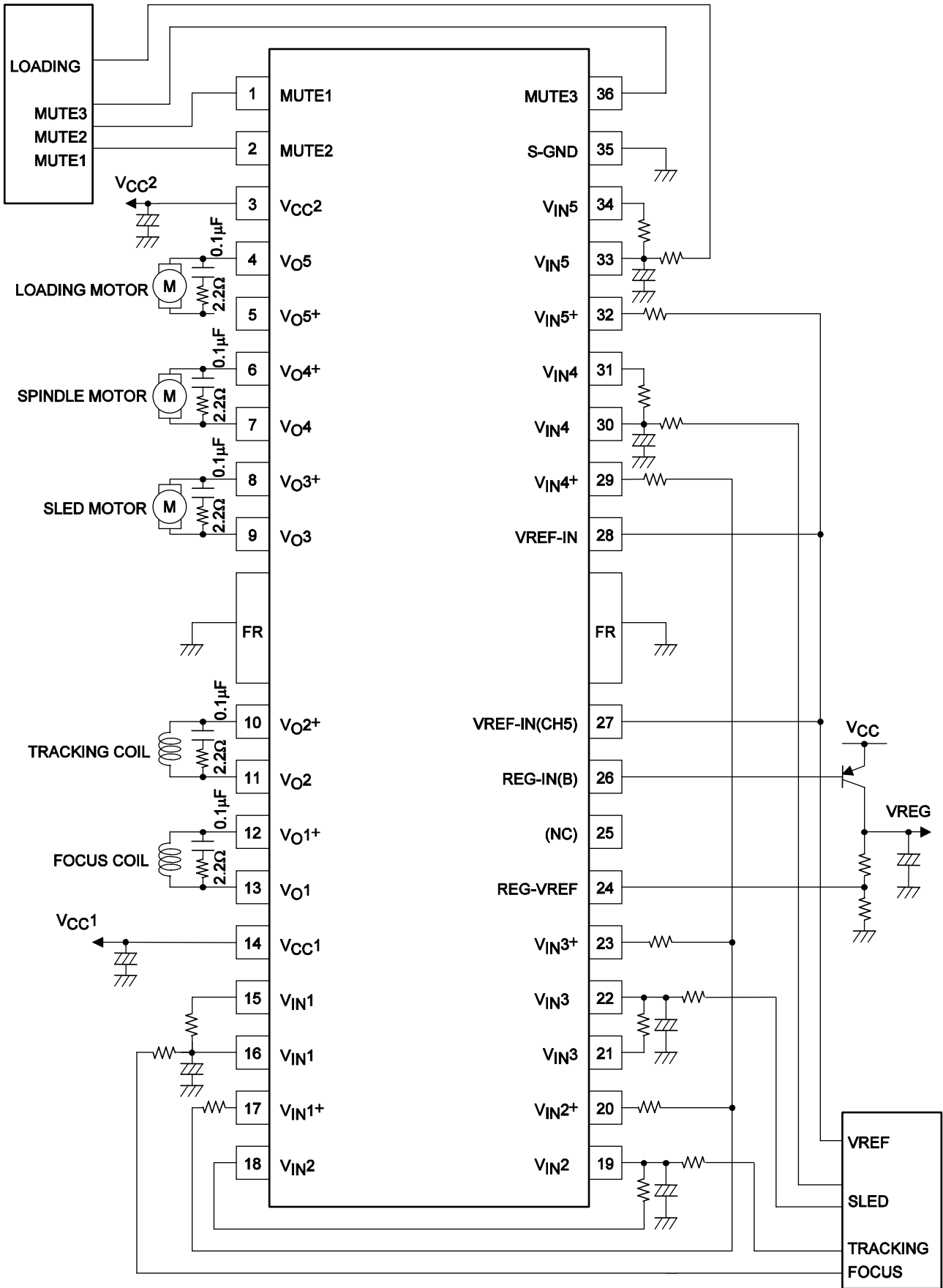
**Schematic Diagram of I/O Related Components**



Block Diagram



Sample Application Circuit



ON Semiconductor and the ON logo are registered trademarks of Semiconductor Components Industries, LLC (SCILLC). SCILLC owns the rights to a number of patents, trademarks, copyrights, trade secrets, and other intellectual property. A listing of SCILLC's product/patent coverage may be accessed at [www.onsemi.com/site/pdf/Patent-Marking.pdf](http://www.onsemi.com/site/pdf/Patent-Marking.pdf). SCILLC reserves the right to make changes without further notice to any products herein. SCILLC makes no warranty, representation or guarantee regarding the suitability of its products for any particular purpose, nor does SCILLC assume any liability arising out of the application or use of any product or circuit, and specifically disclaims any and all liability, including without limitation special, consequential or incidental damages. "Typical" parameters which may be provided in SCILLC data sheets and/or specifications can and do vary in different applications and actual performance may vary over time. All operating parameters, including "Typicals" must be validated for each customer application by customer's technical experts. SCILLC does not convey any license under its patent rights nor the rights of others. SCILLC products are not designed, intended, or authorized for use as components in systems intended for surgical implant into the body, or other applications intended to support or sustain life, or for any other application in which the failure of the SCILLC product could create a situation where personal injury or death may occur. Should Buyer purchase or use SCILLC products for any such unintended or unauthorized application, Buyer shall indemnify and hold SCILLC and its officers, employees, subsidiaries, affiliates, and distributors harmless against all claims, costs, damages, and expenses, and reasonable attorney fees arising out of, directly or indirectly, any claim of personal injury or death associated with such unintended or unauthorized use, even if such claim alleges that SCILLC was negligent regarding the design or manufacture of the part. SCILLC is an Equal Opportunity/Affirmative Action Employer. This literature is subject to all applicable copyright laws and is not for resale in any manner.