



# LA71525M

## Video/audio signal processor for VHS VCRs (single chip for Y/C/A)

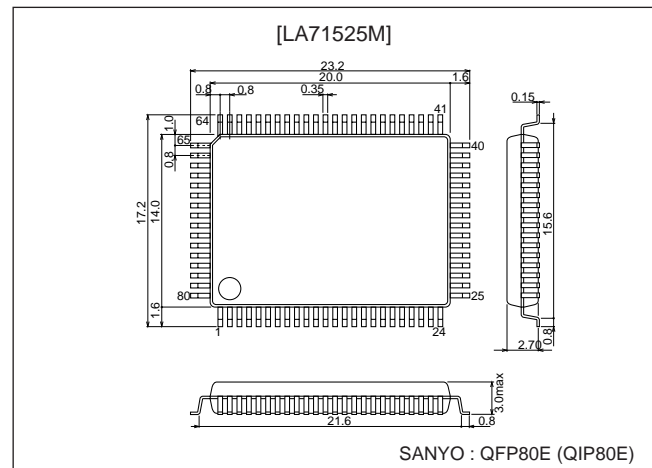
### Overview

The LA71525M is a video/audio signal processor IC for VHS VCRs. It handles recording and playback of PAL/GBI, MESECAM, and 4.43 NTSC signals. NTSC software tapes can be converted to PAL for monitoring, and the IC realizes high picture and sound quality. The IC requires no adjustments and minimizes the peripheral component count, making it possible to implement efficient signal handling at low cost.

### Package Dimensions

unit: mm

#### 3174-QFP80E



### Specifications

#### Maximum Ratings at Ta = 25°C

Parameter	Symbol	Conditions	Ratings	Unit
Maximum supply voltage	V <sub>CC</sub> max	pin 36, 41, 47	7.0	V
	V <sub>CC</sub> max	pin 76	9.0	V
Allowable power dissipation	Pd max	Ta ≤ 65°C 114.3 x 76.1 x 1.6 mm <sup>3</sup> with paper phenol substrate	1400	mW
Operating temperature	Topr		-10 to +65	°C
Storage temperature	Tstg		-40 to +150	°C

#### Operating Conditions at Ta = 25°C

Parameter	Symbol	Conditions	Ratings	Unit
Recommended supply voltage	V <sub>CC</sub> 1	pin 36, 41, 47	5.0	V
	V <sub>CC</sub> 2	pin 76	6.8	V
	(V <sub>CC</sub> 2)	(pin 76)	(7.5)	V
Recommended operating supply voltage range	V <sub>CC</sub> 1 opg		4.8 to 5.5	V
	V <sub>CC</sub> 2 opg		6.4 to 7.9	V

■ Any and all SANYO products described or contained herein do not have specifications that can handle applications that require extremely high levels of reliability, such as life-support systems, aircraft's control systems, or other applications whose failure can be reasonably expected to result in serious physical and/or material damage. Consult with your SANYO representative nearest you before using any SANYO products described or contained herein in such applications.

■ SANYO assumes no responsibility for equipment failures that result from using products at values that exceed, even momentarily, rated values (such as maximum ratings, operating condition ranges, or other parameters) listed in products specifications of any and all SANYO products described or contained herein.

# LA71525M

## Operating Characteristics at Ta = 25°C, V<sub>CC</sub> = 5V

Parameter	Symbol	Input	Output	Conditions	Ratings			Unit
					min	typ	max	
[REC mode Y]								
Current drain (POWER SAVE MODE)	I <sub>CCS</sub>			Influx current measured at pin 41 in power save mode	20	22	24	mA
Current drain (REC)	I <sub>CCR</sub>			Sum of influx current at pins 36, 41, 47, 76 measured; 5V: pins 36, 41, 47; 7V: pin 76	130	145	160	mA
EE output level 1	V <sub>EE1</sub>	T28A	T38	T38 output level measured with V <sub>IN</sub> = 1.0 Vp-p video signal (PAL)	2.0	2.1	2.2	Vp-p
EE output level 2	V <sub>EE2</sub>	T28A	T38	T38 output level measured with V <sub>IN</sub> = 1.0 Vp-p video signal (NTSC)	2.0	2.1	2.2	Vp-p
AGC characteristics 1	AGC1	T28A	T38	Ratio of V <sub>EE</sub> and T38 output level with V <sub>IN</sub> = 2.0 Vp-p video signal	0	0.6	1.2	dB
AGC characteristics 2	AGC2	T28A	T38	Ratio of V <sub>EE</sub> and T38 output level with V <sub>IN</sub> = 0.5 Vp-p video signal	-1.2	-0.2	0	dB
AGC characteristics 3	AGC3	T28A	T38	T38 SYNC level measured with V <sub>IN</sub> = 700 mVp-p LUMI, 600 mVp-p SYNC	550	650	750	mVp-p
AGC characteristics 4	AGC4	T28A	T38	T38 SYNC level measured with V <sub>IN</sub> = 700 mVp-p LUMI, 150 mVp-p SYNC	370	420	470	mVp-p
Sync separation output level	V <sub>SYR</sub>	T28A	T37	T37 output pulse crest value measured with V <sub>IN</sub> = 1.0 Vp-p video signal	4.0	4.2	4.4	Vp-p
Sync separation output pulse width	PW <sub>SYR</sub>	T28A	T37	T37 output pulse width measured with V <sub>IN</sub> = 1.0 Vp-p video signal	4.2	4.5	4.8	μs
Sync separation output Pre-delay time	ΔT <sub>SYR</sub>	T28A	T37	Delay of output SYNC vs. input SYNC measured with V <sub>IN</sub> = 1.0 Vp-p video signal	0.6	0.8	1.0	μs
Sync separation output Threshold level	TH <sub>SYR</sub>	T28A	T37	Input level gradually attenuated and measured when output pulse width becomes larger than PW <sub>SYR</sub> by 1 μs		-20	-15	dB
Sync tip level Pedestal level White level measurement	L <sub>VOR</sub>	T28A	T38	Potential measured with V <sub>IN</sub> = 1.0 Vp-p video signal, under following conditions. T38 sync tip level: L <sub>SYN</sub> Pedestal level: L <sub>PED</sub> White peak level: L <sub>WHT</sub>	700	800	900	mV
Simulated H insertion level	ΔHDR	T28A	T38	T38 DC level measured with 2.7V DC applied to T33. Using this as L <sub>HDR</sub> , differential to L <sub>PED</sub> (see above) is calculated.	-150	0	+150	mV
White insertion level	ΔWHR	T28A	T38	T38 DC level measured with 1.3V DC applied to T33. Using this as L <sub>WHR</sub> , differential to L <sub>WHT</sub> (see above) is calculated.	-150	0	+150	mV
REC YNR operation	R <sub>YNR</sub>	T28A	T25	T25 YNR characteristics measured with Serial V <sub>IP</sub> = 1 Vp-p standard color bar signal input 00 OFF 10 (weak) 01 (medium) 11 (strong)	0 1.7 4.2 /	0 2.7 5.7 /	0 3.7 7.2 /	dB
Y <sub>LPF</sub> frequency response characteristics 1	Y <sub>LPF1</sub>	T28A	T25	1 MHz response of T25 vs. 500 kHz with V <sub>IN</sub> = 1 Vp-p standard multiburst signal	-0.3	+0.2	+0.7	dB
Y <sub>LPF</sub> frequency response characteristics 2	Y <sub>LPF2</sub>	T28A	T25	2 MHz response of T25 vs. 500 kHz with V <sub>IN</sub> = 1 Vp-p standard multiburst signal	-1.4	-0.4	+0.6	dB
Y <sub>LPF</sub> frequency response characteristics 3	Y <sub>LPF3</sub>	T28A	T25	3 MHz response of T25 vs. 500 kHz with V <sub>IN</sub> = 1 Vp-p standard multiburst signal	-4	-2	0	dB
Y <sub>LPF</sub> frequency response characteristics 4	Y <sub>LPF4</sub>	T28A	T25	4.43 MHz response of T25 vs. 500 kHz with V <sub>IN</sub> = 1 Vp-p standard multiburst signal			-25	dB
REC-FM output level	V <sub>FM</sub>		T18	T18 output level measured in no-signal input condition	304	320	336	mVp-p
Carrier frequency 1 (PAL)	F <sub>FM1</sub>		T18	T18 output frequency measured in no-signal input condition	3.725	3.8	3.875	MHz
Carrier frequency 2 (NTSC)	F <sub>FM2</sub>				3.325	3.4	3.475	MHz

Continued on next page

# LA71525M

Continued from preceding page

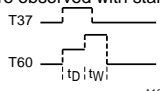
Parameter	Symbol	Input	Output	Conditions	Ratings			Unit	
					min	typ	max		
REC-FM output level Secondary distortion	H <sub>MOD</sub>		T18	Secondary distortion measured in no-signal input condition		-40	-35	dB	
Deviation 1 (PAL)	DEV1	T28A	T18	T18 deviation measured with V <sub>IN</sub> = white 100% 1 Vp-p	0.95	1.00	1.05	MHz	
Deviation 2 (NTSC)	DEV2	T28A	T18	T18 deviation measured with V <sub>IN</sub> = white 100% 1 Vp-p	0.95	1.00	1.05	MHz	
FM modulator linearity	L <sub>MOD</sub>	T26	T18	Output frequency set to f <sub>2.85</sub> with 2.85V DC applied to T26	-2	0	+2	%	
1/2f <sub>H</sub> carrier shift	CS		T18	Output frequency shift	6.5	7.8	9.1	kHz	
Emphasis gain	G <sub>EMP24</sub> G <sub>EMP37</sub>	T26A	T24 T37	Level difference of T26A and T37 measured with V <sub>IN</sub> = 500 mVp-p, 10 kHz sine wave input	-0.75	-0.25	+0.25	dB	
Detail enhancer characteristics 1	G <sub>ENH1</sub>	T26A	T24	Level difference of T26A and T37 measured with V <sub>IN</sub> = 158 mVp-p, 2 MHz sine wave input Differential with G <sub>EMP24</sub>	0.1	0.6	1.1	dB	
Detail enhancer characteristics 2	G <sub>ENH2</sub>	T26A	T24	Level difference of T26A and T24 measured with V <sub>IN</sub> = 50 mVp-p, 2 MHz sine wave input Differential with G <sub>EMP24</sub>	1.3	2.3	3.3	dB	
Detail enhancer characteristics 3	G <sub>ENH3</sub>	T26A	T24	Level difference of T26A and T24 measured with V <sub>IN</sub> = 15.8 mVp-p, 2 MHz sine wave input Differential with G <sub>EMP24</sub>	1.8	3.3	4.8	dB	
Nonlinear emphasis characteristics 1	G <sub>NLEMP1</sub>	T26A	T24	Level difference of T26A and T24 measured with V <sub>IN</sub> = 500 mVp-p, 2 MHz sine wave input Differential with G <sub>EMP24</sub>	0.3	1.2	2.1	dB	
Nonlinear emphasis characteristics 2	G <sub>NLEMP2</sub>	T26A	T24	Level difference of T26A and T24 measured with V <sub>IN</sub> = 158 mVp-p, 2 MHz sine wave input Differential with G <sub>EMP24</sub>	2.5	3.8	5.0	dB	
Nonlinear emphasis characteristics 3	G <sub>NLEMP3</sub>	T26A	T24	Level difference of T26A and T24 measured with V <sub>IN</sub> = 50 mVp-p, 2 MHz sine wave input Differential with G <sub>EMP24</sub>	Serial 1 2 3 4	6.5 4.5 2.5 0	8.0 6.0 4.0 0	9.5 7.5 5.5 0	dB
Main linear emphasis characteristics 1	G <sub>ME1</sub>	T26A	T37	Level difference of T26A and T37 measured with V <sub>IN</sub> = 50 mVp-p, 500 kHz sine wave input Differential with G <sub>EMP37</sub>	10.5	11.0	11.5	dB	
Main linear emphasis characteristics 2	G <sub>ME2</sub>	T26A	T37	Level difference of T26A and T37 measured with V <sub>IN</sub> = 50 mVp-p, 2 MHz sine wave input Differential with G <sub>EMP37</sub>	12.5	13.0	13.5	dB	
White clip level	L <sub>WC</sub>	T28A	T37	White clip level at T37 measured with V <sub>IN</sub> = white 100% 1.0 Vp-p	CTL 1 2	185 176	195 185	205 194	%
Dark clip level	L <sub>DC</sub>	T28A	T37	Dark clip level at T37 measured with V <sub>IN</sub> = white 100% 1.0 Vp-p	CTL 1 2	-57.5 -52.0	-52.5 -47.0	-47.5 -42.0	%
Video output linearity	L <sub>INY</sub>	T28A	T38	T38 stair levels measured with video signal 1.0 Vp-p (linearity unit, 5 stairs) input. Stair linearity determined by arithmetic processing.		-0.5	0	+0.5	dB
[PB mode Y]									
Current drain PB	I <sub>CCP</sub>			5V: pins 36, 41, 47; 7V: pin 76 Sum of influx current at pins 36, 41, 47, 76 measured		153	170	187	mA
Dropout compensation time	T <sub>DOC</sub>	T15 T26A	T38	T20: 4 MHz, 300 mVp-p sine wave T26A: revert time for T38 output from when 0.5 Vp-p video signal T15 input is set to 0		10.5	12.5	14.5	H
DOC characteristics	G <sub>DOC</sub>	T15 T26A	T38	T15: 4 MHz, 300 mVp-p sine wave T26A: 0.5 Vp-p video signal Input/output response 5H after setting T15 input to 0		-1.5	0	+1.5	dB
PB Y level	V-Y <sub>OUT</sub>	T15	T38	Playback Y level with DEV = 1.0 MHz FM signal input		2.00	2.10	2.20	Vp-p
Self-recording/playback Y level	R/P-OUT		T38	Playback Y level for self-recording/playback		1.93	2.10	2.27	Vp-p

Continued on next page



# LA71525M

Continued from preceding page

Parameter	Symbol	Input	Output	Conditions	Ratings			Unit
					min	typ	max	
[REC mode chroma]								
REC chroma low-range converter output level	$V_{OR-14}$	T28A	T14A	T14A burst level measured with $V_{IN} = 1$ Vp-p CTL 0 standard color bar signal 1	215 180	225 190	235 200	mVp-p
REC chroma/FM ratio	C/FM	T28A	T14A T18	Down-converted chroma level/FM level ratio with 100% chroma input ( $R_L: 5.1$ k $\Omega$ )	-3.7	-3.0	-2.3	dB
Burst emphasis amount (NTSC mode)	$G_{BE}$	T28A	T14A	SP/EP and LP T14A burst level ratio with $V_{IN} = 1$ Vp-p standard color bar signal	5.5	6.0	6.5	dB
VXO oscillation level (PAL mode)	$V_{VXO-RP}$	T28A	T56	T56 output amplitude measured with FET probe at $V_{IN} = 1$ Vp-p standard color bar signal	300	500	700	mVp-p
VXO oscillation level (NTSC mode)	$V_{VXO-RN}$	T28A	T56	T56 output amplitude measured with FET probe at $V_{IN} = 1$ Vp-p standard color bar signal	300	500	700	mVp-p
REC ACC characteristics 1	$ACC_{R1}$	T28A	T14A	$V_{IN} = 1$ Vp-p standard color bar signal and chroma signal only boosted by +6 dB T14A burst level measured and compared to VOR-14		0.2	0.5	dB
REC ACC characteristics 2	$ACC_{R2}$	T28A	T14A	$V_{IN} = 1$ Vp-p standard color bar signal and chroma signal only boosted by -6 dB T14A burst level measured and compared to VOR-14	-0.5	-0.1		dB
REC ACC Killer input level	$V_{ACCK-ON}$	T28A	T14A	T14A input burst level measured when output goes off and compared to standard input level, with $V_{IN} = 1$ Vp-p standard color bar signal and chroma signal being gradually attenuated.		-26		dB
REC ACC Killer output level	$V_{OACCK}$	T28A	T14A	T14A output level measured with spectrum analyzer and compared to VOR-14, in killer condition as described above.		-60	-50	dB
REC ACC Demodulator input level	$V_{ACCK-OFF}$	T28A	T14A	From killer condition as described above, T14A input burst level is measured when output goes on with input chroma level being gradually increased. This is compared to standard input level.		-20		dB
REC APC Pull-in range 1	$\Delta f_{APC1}$	T28A	T14A	Input signal: 50% white signal superimposed with 4.4336 MHz 300 mVp-p CW. After checking that T14A output is on, CW frequency is raised until T14A output goes off. Frequency then is gradually reduced. CW frequency when T14A output goes on: f1	350			Hz
REC APC Pull-in range 2	$\Delta f_{APC2}$	T28A	T14A	Same as above, CW frequency is lowered until T14A output goes off. Then frequency is gradually raised. CW frequency when T14A output goes on: f2			-350	Hz
REC AFC Pull-in range 1	$\Delta f_{AFC1}$	T28A	T51	300 mVp-p, 15.6 kHz pulse train with 5 $\mu$ s pulse width is input. Pulse train frequency is raised until T51 output waveform is impaired. Then frequency is lowered. Pulse train frequency when T51 waveform becomes normal: f1	+1.0			kHz
REC AFC Pull-in range 2	$\Delta f_{AFC2}$	T28A	T51	Same as above, pulse train frequency is lowered until T51 output waveform is impaired. Then frequency is raised. Pulse train frequency when T51 waveform becomes normal: f2			-1.0	kHz
BGP delay time	$t_D$	T28	T37	T37 and T60 waveforms are observed with standard color bar input to T28A 	3.1	3.4	3.7	$\mu$ s
BGP width	$t_W$		T60		4.7	4.9	5.1	$\mu$ s

Continued on next page

# LA71525M

Continued from preceding page

Parameter	Symbol	Input	Output	Conditions	Ratings			Unit
					min	typ	max	
2 fsc output level	$V_{2fsc}$	T28A	T58	T58 level measured in no-signal input condition	360	400	440	mVp-p
2 fsc duty	$D_{2fsc}$	T28A	T58	T58 duty measured in no-signal input condition	40	50	60	%
[PB mode chroma chroma]								
PB chroma video Output level (PAL mode)	$P_{Vop-38}$	T15A T26A	T38	From T15A in PB and SP mode, a chroma signal down-converted from the PAL chroma noise test signal (SP mode, burst 80 mVp-p) and mixed with a 4 MHz 300 mVp-p sine wave is input. From T26A, a 50% white signal is input. Burst level is measured at T38.	490	580	670	mVp-p
PB chroma video Output level (NTSC mode)	$N_{Vop-38}$	T15A T26A	T38	From T15A in PB and SP mode, a chroma signal down-converted from the NTSC chroma noise test signal (SP mode, burst 160 mVp-p) and mixed with a 4 MHz 300 mVp-p sine wave is input. From T26A, a 50% white signal is input. Burst level is measured at T38.	490	580	670	mVp-p
PB chroma Pin 46 output level	$V_{op-46}$	T15A T26A	T46	Under same conditions as for $P_{Vop-38}$ , T46 burst level is measured.	170	200	230	mVp-p
PB ACC characteristics 1	$ACC_{p1}$	T15A T26A	T46	Under same conditions as for $P_{Vop-38}$ , input chroma level is raised by +6 dB. T46 burst level is measured and compared to $P_{Vop-46}$ .		0.5	0.8	dB
PB ACC characteristics 2	$ACC_{p2}$	T15A T26A	T46	Under same conditions as for $P_{Vop-38}$ , input chroma level is raised by -6 dB. T46 burst level is measured and compared to $P_{Vop-38}$ .	-0.5	-0.2		dB
PB killer input level	$V_{ACK-P}$	T15A T26A	T46	Under same conditions as for $P_{Vop-38}$ , input chroma level is attenuated and input burst level is measured when chroma output at T46 goes off (compared to standard input 80 mVp-p)			-25	dB
Chroma output level in PPB killer condition	$V_{OACK-P}$	T15A T26A	T38	T38 measured with spectrum analyzer and compared to $P_{Vop-38}$ in killer condition as described above.		-44	-40	dB
PB main converter carrier leak	$C_{LP}$	T15A T26A	T38	Under same conditions as for $P_{Vop-38}$ , T38 is measured with spectrum analyzer and 4.43 MHz component is compared to 5.06 MHz component.		-40	-33	dB
Burst deemphasis (NTSC mode)	$G_{BD}$	T15A T26A	T46	629 kHz, 160 mVp-p CW is mixed with 4 MHz, 300 mVp-p CW and input to T15A. 50% white signal is input from T26A. Output level during T46 burst interval and during other times is compared.	-5.75	-5.50	-5.25	dB
PB XO output level (PAL mode)	$V_{XO-PP}$		T59	T59 output level measured with FET probe in PB mode	300	500	700	mVp-p
PB XO oscillator frequency deviation (PAL mode)	$\Delta f_{XOP}$		T59	T59 frequency measured in PB mode: f	-9	0	+9	Hz
NTSC -> PAL conversion V axis burst level	$V_{BNAP}$	T15A T26A	T38	From T15A, down-converted chroma noise test signal mixed with 4 MHz, 300 mVp-p CW is input. From T26A, 50% white signal is input. -45° burst level at T38 is measured and compared to $P_{Vop-38}$	-1	0	+1	dB
NTSC -> PAL conversion Burst level ratio	$\Delta B-NAP$	T15A T26A	T38	Under same conditions as above, +45° burst level is measured and compared to $V_{BNAP}$	-2	0	+2	dB

Continued on next page

# LA71525M

Continued from preceding page

Parameter	Symbol	Input	Output	Conditions	Ratings			Unit
					min	typ	max	
NTSC -> PAL conversion chroma phase	P-NAP	T15A T26A	T38	4 MHz, 300 mVp-p CW and 100% chroma signal phase shifted by $-90^\circ$ from burst are mixed and input to T15A. 50% white signal is input to T26A. Chroma phase when pin 67 is 0V is measured and taken as $\theta_1$ . Chroma phase when pin 67 is 5V is measured and taken as $\theta_2$ . P-NAP = $\theta_1 - \theta_2$	160	180	200	deg
[REC mode/EQ]								
REC EQ characteristics 1	G <sub>REQ1</sub>	T22	T18	$V_{IN} = 500$ mVp-p, $f = 4$ MHz Input/output response measured	-3	-2	-1	dB
REC EQ secondary distortion	H <sub>REQ</sub>	T22	T18	Under same conditions as above, secondary harmonics are measured.		-40	-35	dB
REC EQ characteristics 2	G <sub>REQ2</sub>	T22	T18	$V_{IN} = 500$ mVp-p, $f = 627$ kHz Input/output response measured			-20	dB
REC EQ characteristics 3	G <sub>REQ3</sub>	T22	T18	$V_{IN} = 500$ mVp-p, $f = 1.07$ MHz Input/output response measured			-20	dB
REC EQ characteristics 4	G <sub>REQ4</sub>	T22	T18	$V_{IN} = 500$ mVp-p, $f = 4.5$ MHz Input/output response measured	-3.3	-2.3	-1.3	dB
REC EQ characteristics 5	G <sub>REQ5</sub>	T22	T18	$V_{IN} = 500$ mVp-p, $f = 2.0$ MHz Input/output response measured	-1	0	+1	dB
[PB mode/EQ]								
PB EQ characteristics 1	G <sub>PEQ1</sub>	T15A	T17	$V_{IN} = 400$ mVp-p, $f = 4$ MHz Input/output response measured	-2.5	-1.1	0.0	dB
PB EQ secondary distortion	H <sub>PEQ</sub>	T15A	T17	Under same conditions as above, secondary harmonics are measured.		-40	-30	dB
PB EQ characteristics 2	G <sub>PEQ2</sub>	T15A	T17	$V_{IN} = 400$ mVp-p, $f = 627$ kHz Input/output response measured			-30	dB
PB EQ characteristics 3	G <sub>PEQ3</sub>	T15A	T17	$V_{IN} = 400$ mVp-p High-range trap frequency and gain measured		7.8		MHz
							-25	dB
PB EQ characteristics 4	G <sub>PEQ4</sub>	T15A	T17	$V_{IN} = 400$ mVp-p, $f = 1.07$ MHz Input/output response measured			-30	dB
PB EQ characteristics 5	G <sub>PEQ5</sub>	T15A	T17	$V_{IN} = 400$ mVp-p, $f = 4.5$ MHz Input/output response measured	-1	0	+1	dB
PB EQ characteristics 6	G <sub>PEQ6</sub>	T15A	T17	$V_{IN} = 400$ mVp-p, $f = 2.0$ MHz Input/output response measured	-11	-10	-9	dB

Continued on next page

## LA71525M

### Electrical Characteristics of Audio System

Parameter	Symbol	Input	Output	Conditions	Ratings			Unit
					min	typ	max	
LINE AMP voltage gain (PB)	$V_{GLP}$	T11	T77	$V_{IN} = -30$ dBV	23.0	23.5	24.0	dB
LINE AMP voltage gain (A1, A2, A3)	$V_{GLR}$	T71 T73 T75	T77	$V_{IN} = -30$ dBV	23.0	23.5	24.0	dB
LINE AMP distortion (PB)	$THD_L$	T11	T77	$V_{IN} = -30$ dBV	0.01	0.1	0.4	%
LINE AMP Output noise voltage (PB)	$V_{NOL}$	—	T77	$R_g = 1$ k $\Omega$ , DIN audio filter	-80.0	-74.0	-70.5	dBV
LINE AMP Maximum output voltage (PB)	$V_{OML}$	T11	T77	Output voltage for 1% THD : $V_{CC} = 6.8$ V : $V_{CC} = 7.5$ V	1.3 1.5	1.5 1.7	1.7 1.9	Vrms
Output voltage with LINE AMP ALC	$V_{OA}$	T73	T77	$V_{IN} = -28$ dBV	-7	-6	-5	dBV
LINE AMP ALC effect	ALC	T73	T77	T73 input level reduced from -28 dBV to -8 dBV	0	1	3	dB
LINE AMP ALC distortion	$THD_A$	T73	T77	$V_{IN} = -28$ dBV	0.01	0.1	0.5	%
MUTE attenuation	$M_{PB}$ $M_{A1}$ $M_{A2}$ $M_{A3}$	T11 T71 T73 T75	T77	-10 dBV signals applied to all inputs and MUTE enabled.	80	90	120	dB
EQ AMP open circuit voltage gain	$V_{GOE}$	T7	T10	$V_{IN} = -66$ dBV	58	64	70	dB
EQ AMP input converted noise voltage	$V_{NIE}$	—	T10	$R_g = 620\Omega$ , DIN audio filter	0.1	0.8	1.8	$\mu$ Vrms
REC AMP voltage gain	$V_{GR}$	T79	T1	$V_{IN} = -20$ dBV	13.6	14.1	14.6	dB
REC AMP distortion	$THD_R$	T79	T1	$V_{IN} = -20$ dBV	0.001	0.1	0.4	%
REC AMP Maximum output voltage	$V_{OMR}$	T79	T1	Output voltage for 1% THD : $V_{CC} = 6.8$ V Output voltage for 1% THD : $V_{CC} = 7.5$ V	1.3 1.5	1.5 1.7	1.7 1.9	Vrms
Current drain (REC)	$I_{CCRA}$	—	—	Influx current measured at pin 76 (no-signal condition) : $V_{CC} = 6.8$ V : $V_{CC} = 7.5$ V	8.8 9.2	11.0 11.5	13.2 13.8	mA
Current drain (PB)	$I_{CCPA}$	—	—	Influx current measured at pin 76 (no-signal condition) : $V_{CC} = 6.8$ V : $V_{CC} = 7.5$ V	7.6 8.0	9.5 10.0	11.4 12.0	mA
DC offset voltage (PB) in MUTE condition	$MT_{DCO}$	—	T77	DC offset voltage at pin 77 measured for MUTE ON (no-signal condition)	0	30	50	mV



# LA71525M

## Pin Function

Pin number	Pin name	Standard DC voltage	Signal waveform	Equivalent circuit
1	A-REC-OUT	3.3V	CW, 3.2 Vp-p	<p style="text-align: right;">A10277</p>
2	A-GND	0V		
3	A-EQ-SW1	3.3V	REC MODE SP-CW LP, EP-0V	<p style="text-align: right;">A10278</p>
			REC MODE NONE	
4	A-EQ-SW2	0V	REC MODE NONE	<p style="text-align: right;">A10279</p>
			PB, EP MODE SP, LP-CW EP-0V	
5	A-REC-SW	3.3V	REC MODE DC $V_{REF}$	<p style="text-align: right;">A10280</p>
			PB MODE CW 1 mVp-p	
6	A-HEAD SW-CTL	REC 7V	DC	<p style="text-align: right;">A10281</p>
		PB 0V		
7	A-EQ-IN	3.3V	REC DC 3.3V	<p style="text-align: right;">A10282</p>
			PB CW, 1 mVp-p	
8	A-EQ-NFB	3.3V	REC DC 3.3V	<p style="text-align: right;">A10282</p>
			PB CW, 1 mVp-p	

Continued on next page

# LA71525M

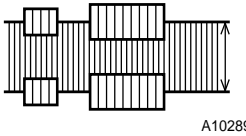
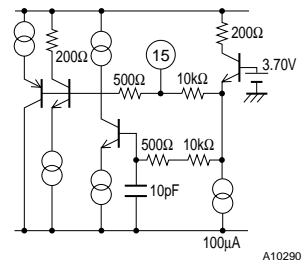
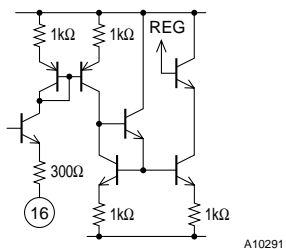
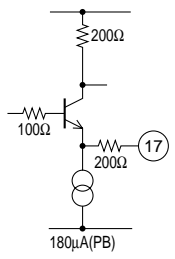
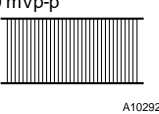
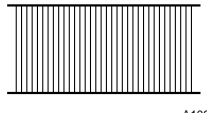
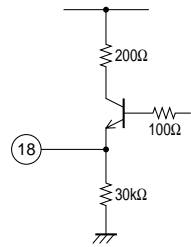
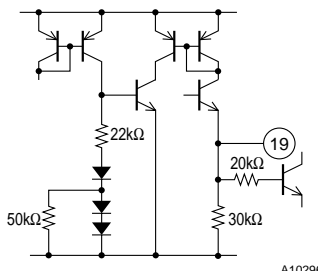
Continued from preceding page

Pin number	Pin name	Standard DC voltage	Signal waveform	Equivalent circuit
9	A-EQ-SW1	3.3V	REC DC 3.3V	
			PB CW, 95 mVp-p	
10	A-EQ-OUT	3.3V	REC DC 3.3V	
			PB CW, 95 mVp-p	
11	A-LINE-PB-IN	3.3V	REC DC 3.3V	
			PB CW 95 mVp-p	
12	AGC-TC1	REC 2.3V	DC	
	Carrier Leak Balancer	PB 2.3V	DC	
13	ACC-FILT	REC 1.8V	DC	
		PB 1.8V		
14	REC-C-OUT	REC 2.8V		
		PB 0V		

Continued on next page

# LA71525M

Continued from preceding page

Pin number	Pin name	Standard DC voltage	Signal waveform	Equivalent circuit
15	PB Y-FM/C-IN C-IN (FROM Pre)	REC 4.2V	PB-Y-FM 400 mVp-p 	
		PB 3.2V		
16	PM (R03)	REC 1.6V	DC	
		PB 1.6V		
17	PB-EQ-OUT	REC 2.6V	FM 730 mVp-p	
		PB 2.6V	PB Y-FM 340 mVp-p 	
18	REC-Y FM-OUT	REC 1.9V	PEC Y-FM 730 mVp-p 	
		PB 1.9V		
19	REC-H-OUT	REC 4.2V	DC	
		REC PAUSE 2.5V		
		EE or PB 0V		

Continued on next page

# LA71525M

Continued from preceding page

Pin number	Pin name	Standard DC voltage	Signal waveform	Equivalent circuit
20	PB-Y-FM-IN (FROM EQ)	REC 4.7V	FM 700 mVp-p	<p style="text-align: right;">A10298</p>
		PB 2.5V	PB-Y FM 320 mVp-p <p style="text-align: right;">A10297</p>	
21	AGC-TC2	REC 1.6V	DC	<p style="text-align: right;">A10299</p>
		PB 1.7V		
22	PB-EMITTER -PEAKING	REC 0V	DC	<p style="text-align: right;">A10301</p>
		PB 2.6V		
23	MAIN-EMPH OUT	REC 2.1V	<p style="text-align: right;">A10302</p>	<p style="text-align: right;">A10303</p>
		PB 0V		
24	MAIN-EMPH FILTER	REC 2.1V	<p style="text-align: right;">A10304</p>	<p style="text-align: right;">A10305</p>
		PB 0V	DC	

Continued on next page

# LA71525M

Continued from preceding page

Pin number	Pin name	Standard DC voltage	Signal waveform	Equivalent circuit
25	REC-Y	REC 1.6V		
	MAIN-DE-EMPH. OUT	PB 1.2V		
26	CLAMP-IN	REC 2.9V		
		PB 2.8V		
27	Y-GND	0V		
28	VIDEO-IN1	REC VSYNC 1.7V		
		PB 0V	DC	
29	FBC-FILT (Feed Back Clamp)	REC 2.6V	DC	
		PB 2.6V		
30	VIDEO-IN2	REC VSYNC 1.7V		
		PB 0V		

Continued on next page

# LA71525M

Continued from preceding page

Pin number	Pin name	Standard DC voltage	Signal waveform	Equivalent circuit
31	REG	REC 4.1V	DC	<p style="text-align: right;">A10317</p>
		PB 4.1V		
32	VIDEO-IN3	REC $V_{\text{SYNC}} 1.7\text{V}$	<p style="text-align: right;">A10318</p>	<p style="text-align: right;">A10319</p>
		PB 0V		
33	QV/QH-INS CHARA-INS		<p>0 to 0.8V : Through</p> <p>1.0 to 2.2V : Character Ins.</p> <p>2.5 to 3.2V : QH Ins.</p> <p>3.8 to <math>V_{\text{CC}}</math>V : QV Ins.</p>	<p style="text-align: right;">A10320</p>
34	VPS-OUT	REC $V_{\text{SYNC}} 1.7\text{V}$	<p style="text-align: right;">A10321</p>	<p style="text-align: right;">A10322</p>
		PB 0V		
35	VIDEO-AGC-IN	REC 2.3V	<p style="text-align: right;">A10323</p>	<p style="text-align: right;">A10324</p>
		PB 3.1V		

Continued on next page

# LA71525M

Continued from preceding page

Pin number	Pin name	Standard DC voltage	Signal waveform	Equivalent circuit
36	Y-V <sub>CC</sub>	5V	DC	
37	SYNC-OUT			
38	VIDEO-OUT	V <sub>SYNC</sub> 0.8V		
39	VCA-FILT	REC 3.1V	DC	
		PB 3.1V		
40	VCA-IN (CLAMP)	REC 2.8V		
		PB 2.8V		
41	V <sub>CC</sub> 2	5V	DC	

Continued on next page

# LA71525M

Continued from preceding page

Pin number	Pin name	Standard DC voltage	Signal waveform	Equivalent circuit
42	Y-CCD-DRIVE	REC 1.8V	<p style="text-align: center;">350mVp-p A10333</p>	<p style="text-align: right;">A10335</p>
		PB 1.8V	<p style="text-align: center;">370mVp-p A10334</p>	
43	NTSC-H OUT	NTSC MODE 4.2V	DC	<p style="text-align: right;">A10336</p>
		WITHOUT NTSC MODE 0V		
44	PQ 2 (RO2)	REC 1.7V	DC	<p style="text-align: right;">A10337</p>
		PB 1.8V		
45	PB CHROMA IN	REC 1.8V	<p style="text-align: center;">210mVp-p A10338</p>	<p style="text-align: right;">A10339</p>
		PB 1.9V		
46	PB CHROMA OUT	REC 0V	<p style="text-align: center;">210mVp-p A10340</p>	<p style="text-align: right;">A10341</p>
		PB 2.0V		

Continued on next page



# LA71525M

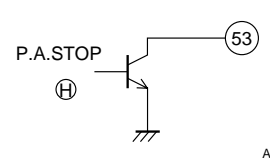
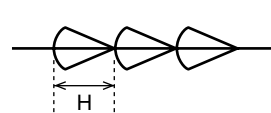
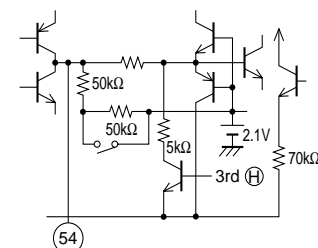
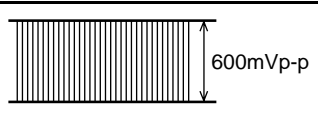
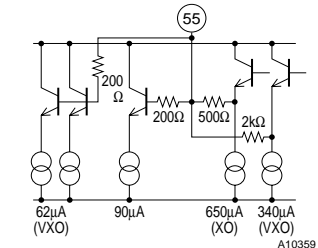
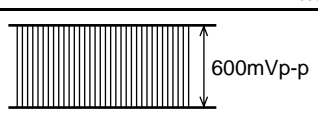
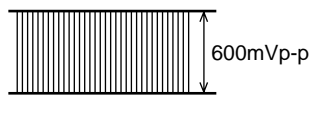
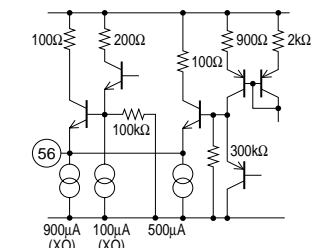
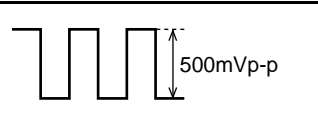
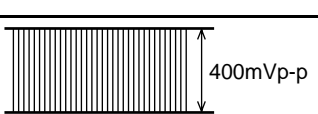
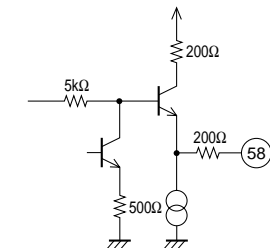
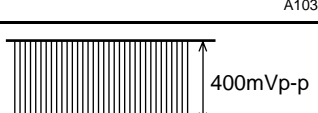
Continued from preceding page

Pin number	Pin name	Standard DC voltage	Signal waveform	Equivalent circuit
47	C-V <sub>CC</sub>	5V	DC	
48	C-CCD-DRIVE2	REC 2.8V		
		PB 2.8V		
49	SLD-FILT	REC 4.0V	DC	
		PB 4.1V		
50	C-CCD-DRIVE 1	REC 2.9V		
		PB 2.9V		
51	AFC/APC-FILT	REC 4.0V		
		PB 4.0V		
52	C-CCD-IN	3.2V		

Continued on next page

# LA71525M

Continued from preceding page

Pin number	Pin name	Standard DC voltage	Signal waveform	Equivalent circuit
53	PA STOP-TR-SW	0V	DC	 <p style="text-align: right;">A10354</p>
54	REC-APC-FILTER	2.1V	 <p style="text-align: right;">A10355</p>	 <p style="text-align: right;">A10356</p>
55	VXO/XO-IN	REC 4.0V	 <p style="text-align: right;">A10358</p>	 <p style="text-align: right;">A10359</p>
		PB 3.9V	 <p style="text-align: right;">A10358</p>	
56	VXO/XO-OUT	REC 2.5V	 <p style="text-align: right;">A10360</p>	 <p style="text-align: right;">A10362</p>
		PB 2.5V	 <p style="text-align: right;">A10361</p>	
57	C-GND	0V	DC	
58	2 fsc/PB-H OUT	REC 1.5V	 <p style="text-align: right;">A10363</p>	 <p style="text-align: right;">A10365</p>
		PB 2.8V	 <p style="text-align: right;">A10364</p>	

Continued on next page

# LA71525M

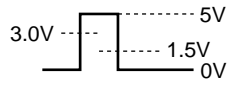
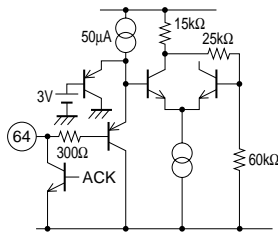
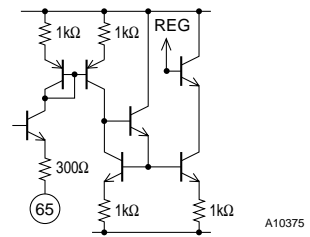
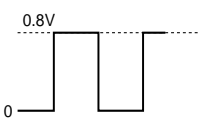
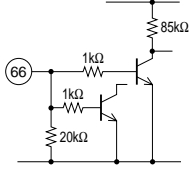
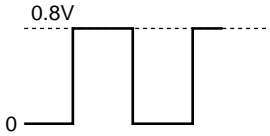
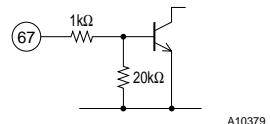
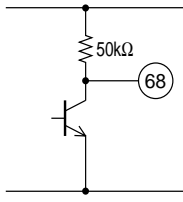
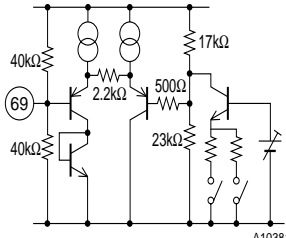
Continued from preceding page

Pin number	Pin name	Standard DC voltage	Signal waveform	Equivalent circuit
59	RL (RO4)	REC 1.5V	DC	<p style="text-align: right;">A10366</p>
		PB 1.5V	DC	
60	BGP-OUT		SYNC+BGP SYNC 1.4V (typ) BGP 4.0V or MORE	<p style="text-align: right;">A10367</p>
61	KILL-FILT	Color 2.0V	DC	<p style="text-align: right;">A10368</p>
		killer 3.0V		
62	ACK/SLD OUT	ACK-OUT MODE	KILLER MODE 4V or MORE COLOR MODE 0V	<p style="text-align: right;">A10370</p>
		SLD-OUT MODE	<p style="text-align: right;">A10369</p>	
63	SERIAL-CLOCK-IN		<p style="text-align: right;">A10371</p>	<p style="text-align: right;">A10372</p>

Continued on next page

# LA71525M

Continued from preceding page

Pin number	Pin name	Standard DC voltage	Signal waveform	Equivalent circuit
64	SERIAL-DATA-IN		 <p style="text-align: right;">A10373</p>	 <p style="text-align: right;">A10374</p>
65	PQ1 (RO1)	REC 1.6V PB 1.6V	DC	 <p style="text-align: right;">A10375</p>
66	C-ROTARY-PULSE-IN		 <p style="text-align: right;">A10376</p>	 <p style="text-align: right;">A10377</p>
67	CSC-PULSE-IN		 <p style="text-align: right;">A10378</p>	 <p style="text-align: right;">A10379</p>
68	PAL-PULSE	+45° 4V or MORE  +45° 1V or LESS		 <p style="text-align: right;">A10380</p>
69	NC-CTL	REC 2.1V PB 2.1V	DC	 <p style="text-align: right;">A10381</p>

Continued on next page

# LA71525M

Continued from preceding page

Pin number	Pin name	Standard DC voltage	Signal waveform	Equivalent circuit
70	A-MUTE-ON/OFF	MUTE 3V or MORE	DC	<p style="text-align: right;">A10382</p>
71	A-LINE-IN1	3.3V	REC CW, 95 mVp-p	<p style="text-align: right;">A10383</p>
			PB DC 3.3V	
72	A-ALC-DET	0V	REC: ADAPTIVE	<p style="text-align: right;">A10384</p>
			PB DC 0V	
73	A-LINE-IN2	3.3V	REC CW, 95 mVp-p	<p style="text-align: right;">A10385</p>
			PB DC 3.3V	
74	A-V <sub>REF</sub> -FILTER	3.3V	DC	<p style="text-align: right;">A10386</p>

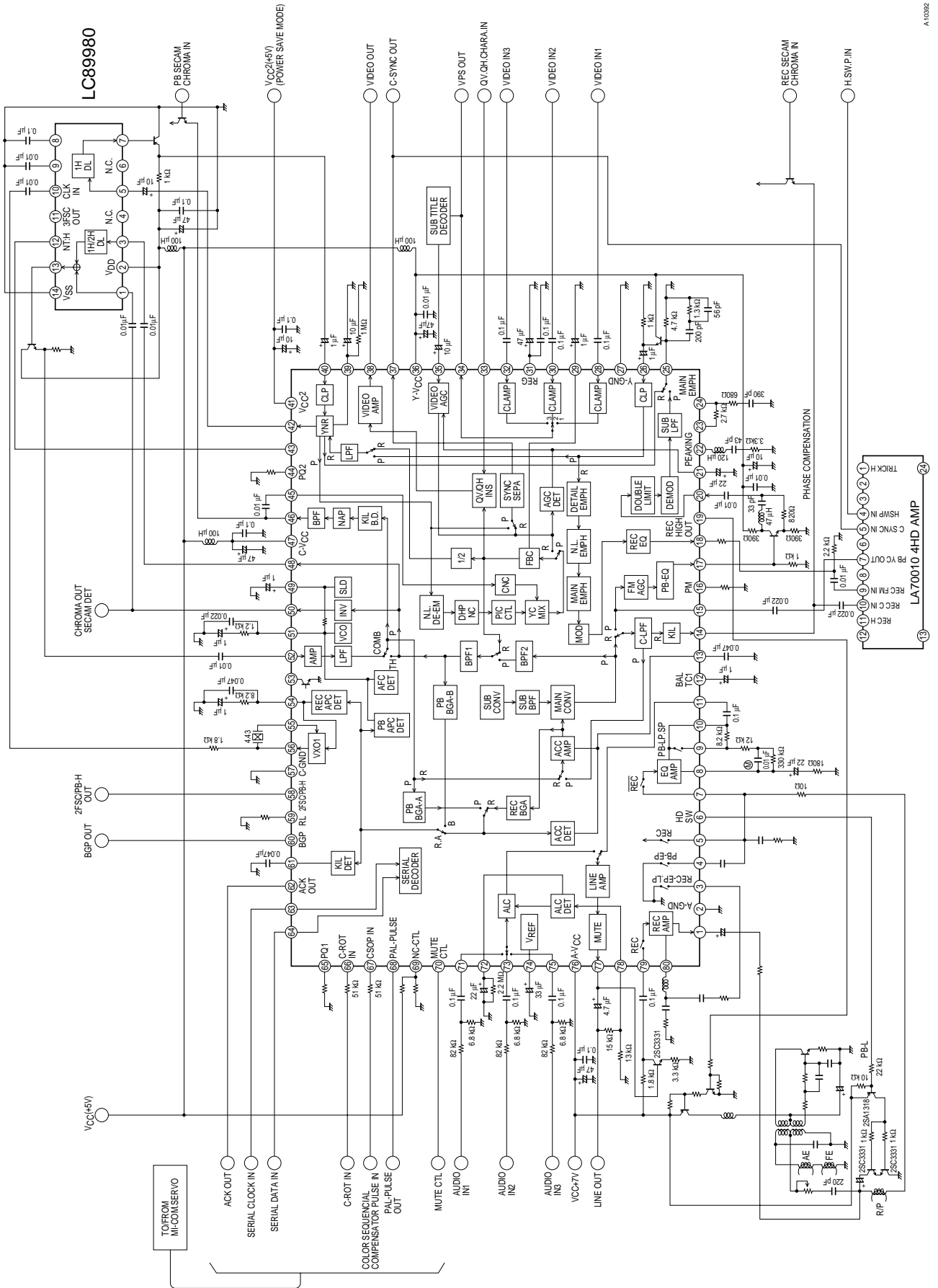
Continued on next page

# LA71525M

Continued from preceding page

Pin number	Pin name	Standard DC voltage	Signal waveform	Equivalent circuit
75	A-LINE-IN3	3.3V	REC CW, 95 mVp-p	<p style="text-align: right;">A10387</p>
			PB DC 3.3V	
76	A-V <sub>CC</sub>	7V	DC	
77	A-LINE-OUT	3.3V	CW, 1.4 Vp-p	<p style="text-align: right;">A10388</p>
78	A-ALC DET-IN	0V	CW, 1.0 Vp-p	<p style="text-align: right;">A10389</p>
79	A-REC-IN	3.3V	REC CW, 745 mVp-p	<p style="text-align: right;">A10390</p>
			PB DC 3.3V	
80	A-REC-NFB	3.3V	REC CW 745 mVp-p	<p style="text-align: right;">A10391</p>
			PB DC 3.3V	

Block Diagram and Sample Application Circuit



A 10082





- Specifications of any and all SANYO products described or contained herein stipulate the performance, characteristics, and functions of the described products in the independent state, and are not guarantees of the performance, characteristics, and functions of the described products as mounted in the customer's products or equipment. To verify symptoms and states that cannot be evaluated in an independent device, the customer should always evaluate and test devices mounted in the customer's products or equipment.
- SANYO Electric Co., Ltd. strives to supply high-quality high-reliability products. However, any and all semiconductor products fail with some probability. It is possible that these probabilistic failures could give rise to accidents or events that could endanger human lives, that could give rise to smoke or fire, or that could cause damage to other property. When designing equipment, adopt safety measures so that these kinds of accidents or events cannot occur. Such measures include but are not limited to protective circuits and error prevention circuits for safe design, redundant design, and structural design.
- In the event that any or all SANYO products(including technical data, services) described or contained herein are controlled under any of applicable local export control laws and regulations, such products must not be exported without obtaining the export license from the authorities concerned in accordance with the above law.
- No part of this publication may be reproduced or transmitted in any form or by any means, electronic or mechanical, including photocopying and recording, or any information storage or retrieval system, or otherwise, without the prior written permission of SANYO Electric Co., Ltd.
- Any and all information described or contained herein are subject to change without notice due to product/technology improvement, etc. When designing equipment, refer to the "Delivery Specification" for the SANYO product that you intend to use.
- Information (including circuit diagrams and circuit parameters) herein is for example only ; it is not guaranteed for volume production. SANYO believes information herein is accurate and reliable, but no guarantees are made or implied regarding its use or any infringements of intellectual property rights or other rights of third parties.

This catalog provides information as of March, 1999. Specifications and information herein are subject to change without notice.