

<b>SANYO</b>	No.4064A	<b>LA7155M</b>
	<b>Audio Switch for PAL 21 Pin Connectors</b>	

**Overview**

The LA7155M is an audio switch of a stereophonic system for PAL21 pin connectors.

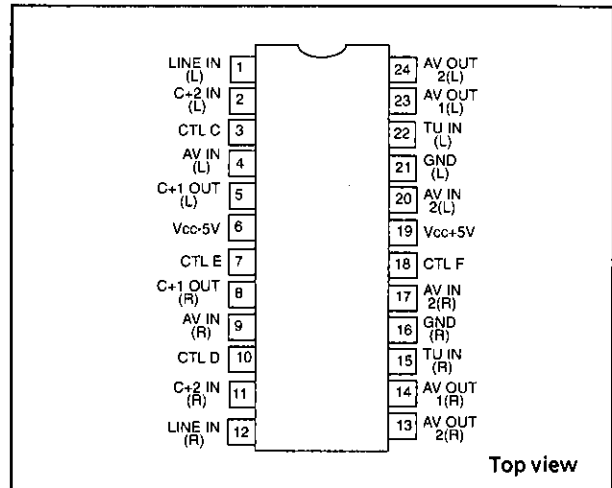
**Features**

- +-5V power supply.
- Smaller size allowing for saving space.
- Low distortion factor.

**Functions**

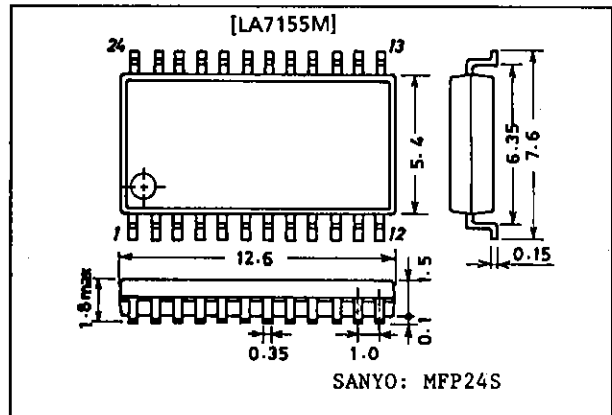
- 4 audio switch circuits of 2 inputs and 1 output.
- 2 audio switch circuits of 3 inputs and 1 output.
- 2 audio amplifying circuits of 2dB.
- 2 audio amplifying circuits of 12dB.

**Pin Assignment**



**Package Dimensions**

(unit :mm)  
3112



## LA7155M

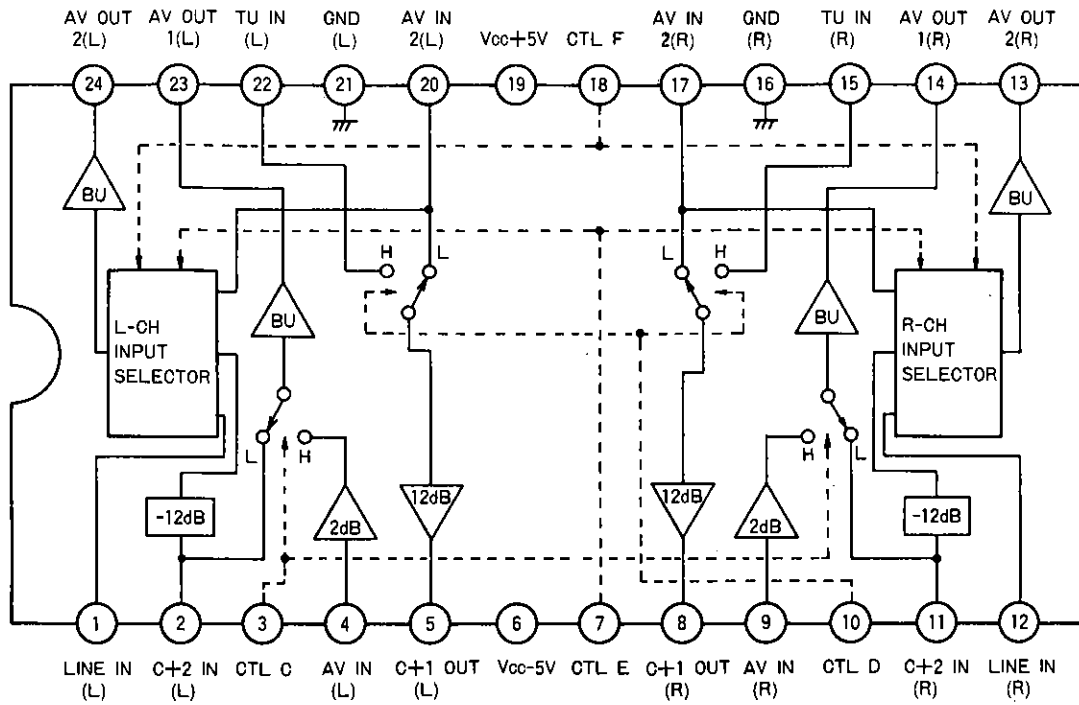
Maximum Ratings at Ta = 25°C				Unit
Maximum supply voltage	V <sub>CC</sub> max		±7	V
Allowable power dissipation	Pd max	Ta ≤ 75°C	300	mV
Operating temperature	T <sub>opr</sub>		-20 to +75	°C
Storage temperature	T <sub>stg</sub>		-55 to +150	°C

Operating Conditions at Ta = 25°C				Unit
Recommended supply voltage	V <sub>CC</sub>		±5	V
Operating voltage range	V <sub>CC</sub> op		±4 to ±6	V

\* Both + and - voltages of supply are required.

Operating characteristics at Ta=25°C, Vcc=±5V and f=1kHz				min	typ	max	Unit
Current dissipation	I <sub>CC</sub>	No signal	8	11	14	mA	
Output voltage 1	V <sub>O1</sub>	V <sub>IN</sub> =-18dBV	-19	-18	-17	dBV	
Output voltage 2	V <sub>O2</sub>	V <sub>IN</sub> =-6 dBV	-19	-18	-17	dBV	
Output voltage 3	V <sub>O3</sub>	V <sub>IN</sub> =-6 dBV	-7	-6	-5	dBV	
Output voltage 4	V <sub>O4</sub>	V <sub>IN</sub> =-8 dBV	-7	-6	-5	dBV	
Output voltage 5	V <sub>O5</sub>	V <sub>IN</sub> =-18dBV	-7	-6	-5	dBV	
Total harmonic distortion 1	THD <sub>1</sub>	V <sub>IN</sub> =-18dBV		0.005	0.1	%	
Total harmonic distortion 2	THD <sub>2</sub>	V <sub>IN</sub> =-6 dBV		0.005	0.1	%	
Total harmonic distortion 3	THD <sub>3</sub>	V <sub>IN</sub> =-6 dBV		0.008	0.1	%	
Total harmonic distortion 4	THD <sub>4</sub>	V <sub>IN</sub> =-8 dBV		0.01	0.1	%	
Total harmonic distortion 5	THD <sub>5</sub>	V <sub>IN</sub> =-18dBV		0.01	0.1	%	
Maximum output voltage 1	V <sub>OM1</sub>	THD=1%	5.0	9.0		dBV	
Maximum output voltage 2	V <sub>OM2</sub>	THD=1%	-7	-3		dBV	
Maximum output voltage 3	V <sub>OM3</sub>	THD=1%	6.0	9.0		dBV	
Maximum output voltage 4	V <sub>OM4</sub>	THD=1%	6.0	9.0		dBV	
Maximum output voltage 5	V <sub>OM5</sub>	THD=1%	6.0	9.0		dBV	
Output noise voltage 1	V <sub>ON1</sub>	No signal Rg=600Ω DIN AUDIO FILTER		-110	-104	dBV	
Output noise voltage 2	V <sub>ON2</sub>			-110	-104	dBV	
Output noise voltage 3	V <sub>ON3</sub>			-107	-101	dBV	
Output noise voltage 4	V <sub>ON4</sub>			-105	-99	dBV	
Output noise voltage 5	V <sub>ON5</sub>			-101	-94	dBV	
Input separation	V <sub>CR</sub>	V <sub>IN</sub> =-8dBV, Other input, Rg=600Ω	-80			dB	
Switched DC offset	V <sub>DC</sub>	Outputs at pins 13 and 24 No signal	-20	0	+20	mV	
H mode hold voltage	V <sub>CHI</sub>	V <sub>3</sub> , V <sub>7</sub> , V <sub>10</sub> , V <sub>18</sub>	3.5		+V <sub>CC</sub>	V	
L mode hold voltage	V <sub>CLOW</sub>	V <sub>3</sub> , V <sub>7</sub> , V <sub>10</sub> , V <sub>18</sub>	0		1.0	V	

Block Diagram



AV OUT 1

Control pin 3	Output L-CH	Output R-CH
L	C+2 IN (L)	C+2 IN (R)
H	AV IN (L)	AV IN (R)

AV OUT 2

Control pin 7	Control pin 18	Output L-CH	Output R-CH
L	L	AV IN 2(L)	AV IN 2(R)
L	H	LINE IN (L)	LINE IN (R)
H	L	C+2 IN (L)	C+2 IN (R)
H	H	LINE IN (L)	LINE IN (R)

C+1 OUT

Control pin 10	Output L-CH	Output R-CH
L	AV IN 2(L)	AV IN 2(R)
H	TU IN (L)	TU IN (R)

# LA7155M

## Test Circuit

Unit (resistance:  $\Omega$ )

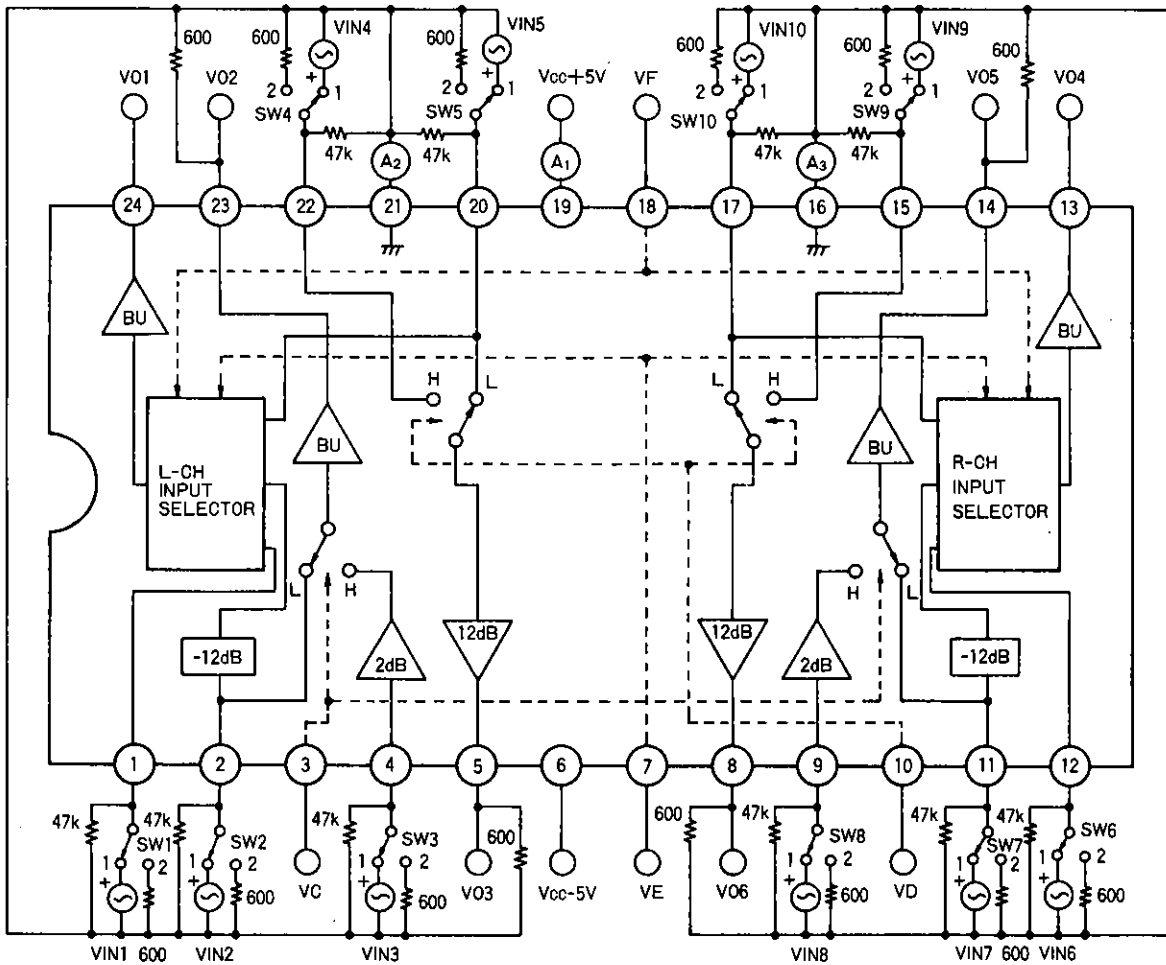


Table of switch operation

Symbol	SW1	SW2	SW3	SW4	SW5	SW6	SW7	SW8	SW9	SW10	VC	VD	VE	VF	Measuring point
Icc	2	2	2	2	2	2	2	2	2	2	L	L	L	L	A1+A2+A3
VO1-1L	1	2	2	2	2	2	2	2	2	2	L	L	L	H	VO1
VO1-1R	2	2	2	2	2	1	2	2	2	2	L	L	L	H	VO4
VO1-2L	2	2	2	2	1	2	2	2	2	2	L	L	L	L	VO1
VO1-2R	2	2	2	2	2	2	2	2	2	1	L	L	L	L	VO4
VO2-1L	2	1	2	2	2	2	2	2	2	2	L	L	H	L	VO1
VO2-1R	2	2	2	2	2	2	1	2	2	2	L	L	H	L	VO4
VO3-1L	2	1	2	2	2	2	2	2	2	2	L	L	H	L	VO2
VO3-1R	2	2	2	2	2	2	1	2	2	2	L	L	H	L	VO5
VO4-1L	2	2	1	2	2	2	2	2	2	2	H	L	H	L	VO2
VO4-1R	2	2	2	2	2	2	2	1	2	2	H	L	H	L	VO5
VO5-1L	2	2	2	1	2	2	2	2	2	2	H	H	H	L	VO3
VO5-1R	2	2	2	2	2	2	2	2	1	2	H	H	H	L	VO6
VO5-2L	2	2	2	2	1	2	2	2	2	2	H	L	H	L	VO3
VO5-2R	2	2	2	2	2	2	2	2	2	1	H	L	H	L	VO6
THD1-1L	1	2	2	2	2	2	2	2	2	2	L	L	L	H	VO1
THD1-1R	2	2	2	2	2	1	2	2	2	2	L	L	L	H	VO4
THD1-2L	2	2	2	2	1	2	2	2	2	2	L	L	L	L	VO1
THD1-2R	2	2	2	2	2	2	2	2	2	1	L	L	L	L	VO4
THD2-1L	2	1	2	2	2	2	2	2	2	2	L	L	H	L	VO1
THD2-1R	2	2	2	2	2	2	1	2	2	2	L	L	H	L	VO4
THD3-1L	2	1	2	2	2	2	2	2	2	2	L	L	H	L	VO2
THD3-1R	2	2	2	2	2	2	1	2	2	2	L	L	H	L	VO5
THD4-1L	2	2	1	2	2	2	2	2	2	2	H	L	H	L	VO2
THD4-1R	2	2	2	2	2	2	2	1	2	2	H	L	H	L	VO5
THD5-1L	2	2	2	1	2	2	2	2	2	2	H	H	H	L	VO3
THD5-1R	2	2	2	2	2	2	2	2	1	2	H	H	H	L	VO6
THD5-2L	2	2	2	2	1	2	2	2	2	2	H	L	H	L	VO3
THD5-2R	2	2	2	2	2	2	2	2	2	1	H	L	H	L	VO6
VOM1-1L	1	2	2	2	2	2	2	2	2	2	L	L	L	H	VO1
VOM1-1R	2	2	2	2	2	1	2	2	2	2	L	L	L	H	VO4
VOM1-2L	2	2	2	2	1	2	2	2	2	2	L	L	L	L	VO1
VOM1-2R	2	2	2	2	2	2	2	2	2	1	L	L	L	L	VO4
VOM2-1L	2	1	2	2	2	2	2	2	2	2	L	L	H	L	VO1
VOM2-1R	2	2	2	2	2	2	1	2	2	2	L	L	H	L	VO4
VOM3-1L	2	1	2	2	2	2	2	2	2	2	L	L	H	L	VO2
VOM3-1R	2	2	2	2	2	2	1	2	2	2	L	L	H	L	VO5
VOM4-1L	2	2	1	2	2	2	2	2	2	2	H	L	H	L	VO2
VOM4-1R	2	2	2	2	2	2	2	1	2	2	H	L	H	L	VO5
VOM5-1L	2	2	2	1	2	2	2	2	2	2	H	H	H	L	VO3
VOM5-1R	2	2	2	2	2	2	2	2	1	2	H	H	H	L	VO6
VOM5-2L	2	2	2	2	1	2	2	2	2	2	H	L	H	L	VO3
VOM5-2R	2	2	2	2	2	2	2	2	2	1	H	L	H	L	VO6

(Continued on next page)

LA7155M

(Continued from preceding page)

Symbol	SW1	SW2	SW3	SW4	SW5	SW6	SW7	SW8	SW9	SW10	VC	VD	VE	VF	Measuring point
VON1-1L	2	2	2	2	2	2	2	2	2	2	L	L	L	H	VO1
VON1-1R	2	2	2	2	2	2	2	2	2	2	L	L	L	H	VO4
VON1-2L	2	2	2	2	2	2	2	2	2	2	L	L	L	L	VO1
VON1-2R	2	2	2	2	2	2	2	2	2	2	L	L	L	L	VO4
VON2-1L	2	2	2	2	2	2	2	2	2	2	L	L	H	L	VO1
VON2-1R	2	2	2	2	2	2	2	2	2	2	L	L	H	L	VO4
VON3-1L	2	2	2	2	2	2	2	2	2	2	L	L	H	L	VO2
VON3-1R	2	2	2	2	2	2	2	2	2	2	L	L	H	L	VO5
VON4-1L	2	2	2	2	2	2	2	2	2	2	H	L	H	L	VO2
VON4-1R	2	2	2	2	2	2	2	2	2	2	H	L	H	L	VO5
VON5-1L	2	2	2	2	2	2	2	2	2	2	H	H	H	L	VO3
VON5-1R	2	2	2	2	2	2	2	2	2	2	H	H	H	L	VO6
VON5-2L	2	2	2	2	2	2	2	2	2	2	H	L	H	L	VO3
VON5-2R	2	2	2	2	2	2	2	2	2	2	H	L	H	L	VO6
VCR-1L	1	2	2	2	2	2	2	2	2	2	L	L	L	H	VO2, 3, 4, 5, 6
VCR-1R	2	2	2	2	2	1	2	2	2	2	L	L	L	H	VO1, 2, 3, 5, 6
VCR-2L	2	2	2	2	1	2	2	2	2	2	L	L	L	L	VO2, 3, 4, 5, 6
VCR-2R	2	2	2	2	2	2	2	2	2	1	L	L	L	L	VO1, 2, 3, 5, 6
VCR-3L	2	1	2	2	2	2	2	2	2	2	L	L	H	L	VO2, 3, 4, 5, 6
VCR-3R	2	2	2	2	2	2	1	2	2	2	L	L	H	L	VO1, 2, 3, 5, 6
VCR-4L	2	1	2	2	2	2	2	2	2	2	L	L	H	L	VO1, 3, 4, 5, 6
VCR-4R	2	2	2	2	2	2	1	2	2	2	L	L	H	L	VO1, 2, 3, 4, 6
VCR-5L	2	2	1	2	2	2	2	2	2	2	H	L	H	L	VO1, 3, 4, 5, 6
VCR-5R	2	2	2	2	2	2	2	1	2	2	H	L	H	L	VO1, 2, 3, 4, 6
VCR-6L	2	2	2	1	2	2	2	2	2	2	H	H	H	L	VO1, 2, 4, 5, 6
VCR-6R	2	2	2	2	2	2	2	2	1	2	H	H	H	L	VO1, 2, 3, 4, 5
VCR-7L	2	2	2	2	1	2	2	2	2	2	H	L	H	L	VO1, 2, 4, 5, 6
VCR-7R	2	2	2	2	2	2	2	2	2	1	H	L	H	L	VO1, 2, 3, 4, 5
VDC-L	2	2	2	2	2	2	2	2	2	2	L	L	L/H	L/H	VO1
VDC-R	2	2	2	2	2	2	2	2	2	2	L	L	L/H	L/H	VO4
VCH1-3	2	2	1	2	2	2	2	2	2	2	-	L	H	L	VC
VCH1-7	2	1	2	2	2	2	2	2	2	2	L	L	-	L	VF
VCH1-10	2	2	2	1	2	2	2	2	2	2	H	-	H	L	VD
VCH1-18	1	2	2	2	2	2	2	2	2	2	L	L	L	-	VE
VCLOW-3	2	1	2	2	2	2	2	2	2	2	-	L	H	L	VC
VCLOW-7	2	2	2	2	1	2	2	2	2	2	L	L	-	L	VF
VCLOW-10	2	2	2	2	1	2	2	2	2	2	H	-	H	L	VD
VCLOW-18	2	2	2	2	1	2	2	2	2	2	L	L	L	-	VE

- No products described or contained herein are intended for use in surgical implants, life-support systems, aerospace equipment, nuclear power control systems, vehicles, disaster/crime-prevention equipment and the like, the failure of which may directly or indirectly cause injury, death or property loss.
- Anyone purchasing any products described or contained herein for an above-mentioned use shall:
  - ① Accept full responsibility and indemnify and defend SANYO ELECTRIC CO., LTD., its affiliates, subsidiaries and distributors and all their officers and employees, jointly and severally, against any and all claims and litigation and all damages, cost and expenses associated with such use:
  - ② Not impose any responsibility for any fault or negligence which may be cited in any such claim or litigation on SANYO ELECTRIC CO., LTD., its affiliates, subsidiaries and distributors or any of their officers and employees jointly or severally.
- Information (including circuit diagrams and circuit parameters) herein is for example only; it is not guaranteed for volume production. SANYO believes information herein is accurate and reliable, but no guarantees are made or implied regarding its use or any infringements of intellectual property rights or other rights of third parties.

This catalog provide information as of **April** , 1995 . Specifications and information herein are subject to change without notice.