



SANYO Semiconductors

# DATA SHEET

## LA73065VA

Monolithic Linear IC  
For wideband  
75Ω Video Driver

### Overview

This LA73065VA is HD video driver. This IC output Component and RGB. It built in the 12MHz/30MHz-LPF. It is the best for the filter to remove the digital clock noise of the Component or RGB Analog video signal.

### Functions

- Three channel output
- 12MHz or 30MHz low pass filter
- 6dB amplifier
- Output mute
- D\_DC\_Output
- Standby mode

### Specifications

Maximum Ratings at Ta = 25°C

Parameter	Symbol	Conditions	Ratings	Unit
Maximum supply voltage	V <sub>CC</sub> max		6.0	V
Allowable power dissipation	Pd max	Ta ≤ 75°C *	500	mW
Operating temperature	T <sub>opr</sub>		-20 to +75	°C
Storage temperature	T <sub>stg</sub>		-40 to +150	°C

\* : Mounted on a board : 114.3mm×76.1mm×1.6mm, glass epoxy board.

Recommended Operating Conditions at Ta = 25°C

Parameter	Symbol	Conditions	Ratings	Unit
Recommended supply voltage	V <sub>CC</sub>		5.0	V
Operating supply voltage range	V <sub>CC</sub> opg		4.75 to 5.25	V
Input pin voltage application range	V <sub>IN</sub>		-0.3 to V <sub>CC</sub> opg+0.3	

■ Any and all SANYO Semiconductor Co.,Ltd. products described or contained herein are, with regard to "standard application", intended for the use as general electronics equipment (home appliances, AV equipment, communication device, office equipment, industrial equipment etc.). The products mentioned herein shall not be intended for use for any "special application" (medical equipment whose purpose is to sustain life, aerospace instrument, nuclear control device, burning appliances, transportation machine, traffic signal system, safety equipment etc.) that shall require extremely high level of reliability and can directly threaten human lives in case of failure or malfunction of the product or may cause harm to human bodies, nor shall they grant any guarantee thereof. If you should intend to use our products for applications outside the standard applications of our customer who is considering such use and/or outside the scope of our intended standard applications, please consult with us prior to the intended use. If there is no consultation or inquiry before the intended use, our customer shall be solely responsible for the use.

■ Specifications of any and all SANYO Semiconductor Co.,Ltd. products described or contained herein stipulate the performance, characteristics, and functions of the described products in the independent state, and are not guarantees of the performance, characteristics, and functions of the described products as mounted in the customer's products or equipment. To verify symptoms and states that cannot be evaluated in an independent device, the customer should always evaluate and test devices mounted in the customer's products or equipment.

**SANYO Semiconductor Co., Ltd.**

TOKYO OFFICE Tokyo Bldg., 1-10, 1 Chome, Ueno, Taito-ku, TOKYO, 110-8534 JAPAN

# LA73065VA

**Electrical Characteristics** at Ta = 25°C, VCC = 5.0V

www.DataSheet4U.com

Parameter	Input signal				Out	Conditions	min	typ	max	unit
	Point	Signal	Level [Vp-p]	Freq [Hz]	Point					
Current consumption 1	-	-	-	-	-	At no signal.	36	45	54	mA
Current consumption 2	-	-	-	-	-	At no signal. Standby mode.	0.0	0.5	1.0	mA
Internal reference regulator										
REG3V	-	-	-	-	T24		2.8	3.0	3.2	V
Video Driver part										
Voltage gain 1 Py, R, G, B	T9A T7A T9A T11A	SIG1	0.3	100k	T16 T18 T16 T14	Output gain	5.5	6.0	6.5	dB
Voltage gain 2 Pr, Pb	T7A T11A	SIG3	0.3	100k	T18 T14	Output gain	5.5	6.0	6.5	dB
Frequency response 1 Py, R, G, B	T9A T7A T9A T11A	SIG1	0.3	12M	T16 T18 T16 T14	12MHz LPF is selected. f = 12MHz/100kHz	-3	0.0	3	dB
Frequency response 2 Pr, Pb	T7A T11A	SIG3	0.3	12M	T18 T14	12MHz LPF is selected. f = 12MHz/100kHz	-3	0.0	3	dB
Frequency response 3 Py, R, G, B	T9A T7A T9A T11A	SIG1	0.3	75M	T16 T18 T16 T14	12MHz LPF is selected. f = 75MHz/100kHz		-40	-30	dB
Frequency response 4 Pr, Pb	T7A T11A	SIG3	0.3	75M	T18 T14	12MHz LPF is selected. f = 75MHz/100kHz		-40	-30	dB
Frequency response 5 Py, R, G, B	T9A T7A T9A T11A	SIG1	0.3	20M	T16 T16 T16 T14	30MHz LPF is selected. f = 20MHz/100kHz	-1	0.0	1	dB
Frequency response 6 Pr, Pb	T7A T11A	SIG3	0.3	20M	T18 T14	30MHz LPF is selected. f = 20MHz/100kHz	-1	0.0	1	dB
Frequency response 7 Py, R, G, B	T9A T7A T9A T11A	SIG1	0.3	30M	T16 T16 T16 T14	30MHz LPF is selected. f = 30MHz/100kHz	-3.5	-1.0	1.5	dB
Frequency response 8 Pr, Pb	T7A T11A	SIG3	0.3	30M	T18 T14	30MHz LPF is selected. f = 30MHz/100kHz	-3.5	-1.0	1.5	dB
Frequency response 9 Py, R, G, B	T9A T7A T9A T11A	SIG1	0.3	75M	T16 T16 T16 T14	30MHz LPF is selected. f = 75MHz/100kHz		-40	-30	dB
Frequency response 10 Pr, Pb	T7A T11A	SIG3	0.3	75M	T18 T14	30MHz LPF is selected. f = 75MHz/100kHz		-40	-30	dB
2nd order distortion 1 Py, R, G, B	T9A T7A T9A T11A	SIG1	0.7	10M	T16 T18 T16 T14	30MHz LPF is selected.		-40	-30	dB
2nd order distortion 2 (HD) Pr, Pb	T7A T11A	SIG3	0.7	10M	T18 T14	30MHz LPF is selected.		-40	-30	dB
Amount of mute attenuation 1 Py, R, G, B	T9A T7A T9A T11A	SIG1	0.7	4M	T16 T18 T16 T14			-60	-50	dB
Amount of mute attenuation 2 Pr, Pb	T7A T11A	SIG3	0.7	4M	T18 T14			-60	-50	dB
Crosstalk between channels 1 Py, R, G, B	T9A T7A T9A T11A	SIG1	0.7	4M				-60	-50	dB

Continued on next page.

# LA73065VA

Continued from preceding page.

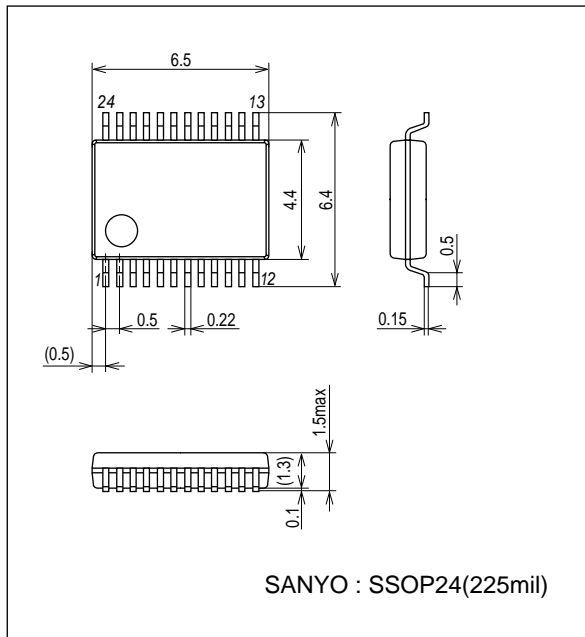
www.DataSheet4U.com

Parameter	Input signal				Out	Conditions	min	typ	max	unit
	Point	Signal	Level [Vp-p]	Freq [Hz]	Point					
Crosstalk between channels 2 Pr, Pb	T7A T11A	SIG3	0.7	4M				-60	-50	dB
Video S/N Py, R, G, B	T9A T7A T9A T11A	SIG2	0.65		T16 T18 T16 T14	V <sub>IN</sub> = Video (50% White) 30MHz LPF is selected. The band is between 100kHz and 30MHz.		-60	-50	dB
G.D.1 Py, R, G, B	T9A T7A T9A T11A	SIG1	0.3	12M	T16 T18 T16 T14	12MHz LPF is selected. f = 12MHz/100kHz		10	20	ns
G.D.2 Pr, Pb	T7A T11A	SIG3	0.3	12M	T18 T14	12MHz LPF is selected. f = 12MHz/100kHz		10	20	ns
G.D.3 Py, R, G, B	T9A T7A T9A T11A	SIG1	0.3	30M	T16 T18 T16 T14	30MHz LPF is selected. f = 30MHz/100kHz		10	20	ns
G.D.4 Pr, Pb	T7A T11A	SIG3	0.3	30M	T18 T14	30MHz LPF is selected. f = 30MHz/100kHz		10	20	ns

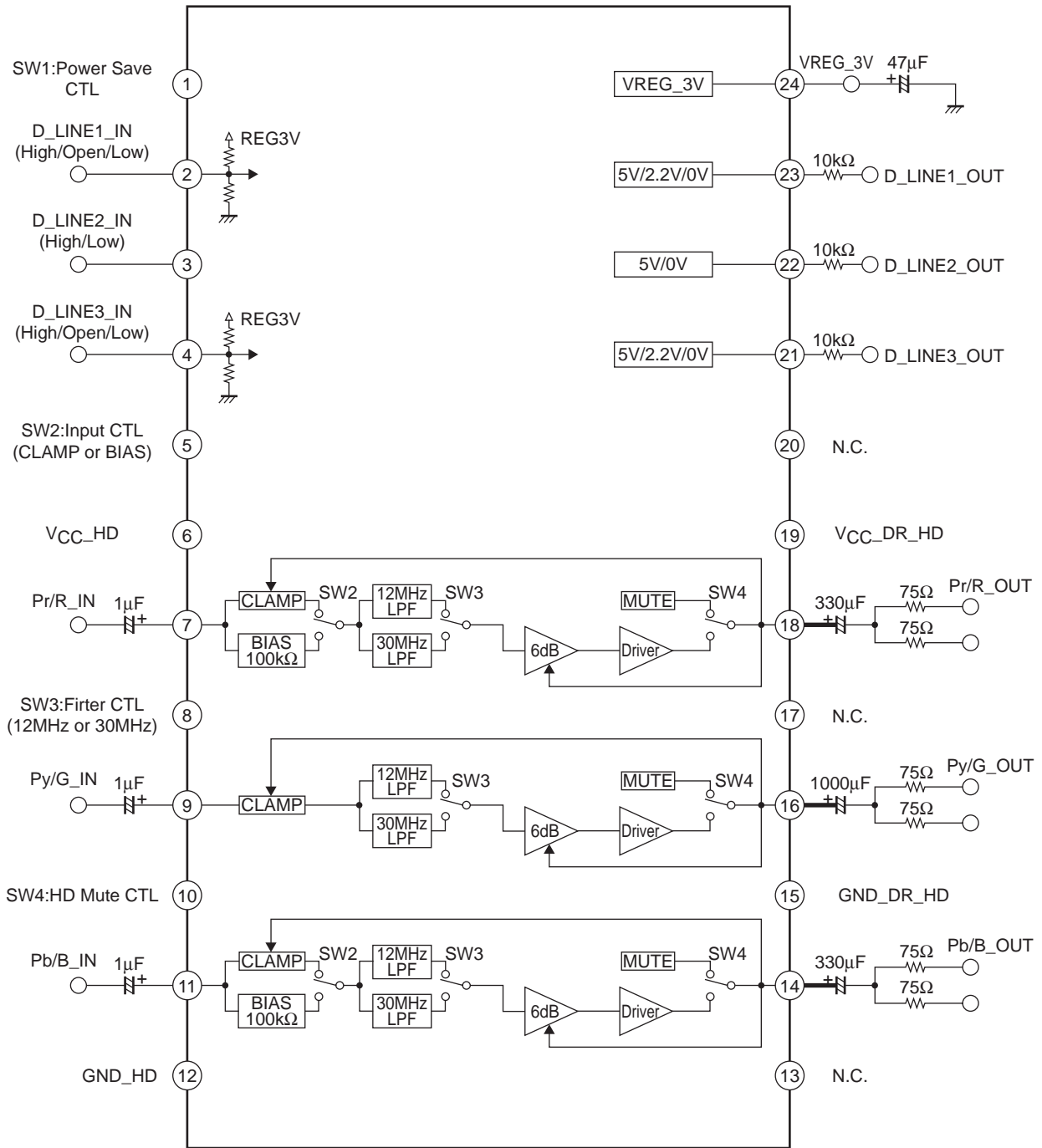
## Package Dimensions

unit : mm (typ)

3287



Block Diagram



Please shorten the distance of the bold line to prevent oscillation.

Pin control table

SW No.	IN_Pin No.	OUT_Pin No.	SW function name	Control voltage		
				High (2.3V to V <sub>CC</sub> )	Open	Low (0 to 0.7V)
SW1	Pin1		Power_Save_CTL	Power_Save_OFF		Power_Save_ON
SW2	Pin5		Input_CTL	CLAMP_ON (RGB_Mode)		BIAS_ON (Component_Mode)
SW3	Pin8		Filter_CTL	12MHz_LPF_ON		30MHz_LPF_ON
SW4	Pin10		HD_MUTE_CTL	HD_MUTE_OFF		HD_MUTE_ON
D_L1	Pin2	Pin23	D_LINE1	High (4.0V to V <sub>CC</sub> )	Midd (1.8 to 2.4V)	Low (0 to 0.5V)
D_L2	Pin3	Pin22	D_LINE2	High (4.0V to V <sub>CC</sub> )		Low (0 to 0.5V)
D_L3	Pin4	Pin21	D_LINE3	High (4.0V to V <sub>CC</sub> )	Midd (1.8 to 2.4V)	Low (0 to 0.5V)

# LA73065VA

## Pin Functions

Pin No.	Pin name	DC voltage	Signal wave form	Input/Output form
1	Power_Save_CTL	5V : Power_Save_OFF  0V : Power_Save_ON		
2	D_LINE1_IN	5V : 1125 (1080)  OPEN : 750 (720)  0V : 525 (480)		
3	D_LINE2_IN	5V : 59.94p/60p  0V : 59.94i/60i		
4	D_LINE3_IN	5V : 16 : 9  OPEN : 4 : 3 Letter Box  0V : 4 : 3		
5	INPUT_CTL	5V : Clamp  0V : Bias		

Continued on next page.

# LA73065VA

Continued from preceding page.

www.DataSheet4U.com

Pin No.	Pin name	DC voltage	Signal wave form	Input/Output form
6	VCC_HD			
7	Pr/R_IN	Component : 2.3V (Bias)  RGB : 1.8V (Clamp)		
8	FIL_CTL	5V : 12MHz_LPF  0V : 30MHz_LPF		
9	Py/G_IN	1.8V		
10	HD_MUTE_CTL	5V : HD_MUTE_OFF  0V : HD_MUTE_ON		

Continued on next page.

# LA73065VA

Continued from preceding page.

www.DataSheet4U.com

Pin No.	Pin name	DC voltage	Signal wave form	Input/Output form
11	Pb/B_IN	Component : 2.3V (Bias)  RGB : 1.8V (Clamp)		
12	GND_HD			
13	N.C.			
14	Pb/B_OUT	Component : 2.4V (Bias)  RGB : 1.3V (Clamp)		
15	GND_DR_HD			
16	Py/G_OUT	1.3V		
17	N.C.			

Continued on next page.

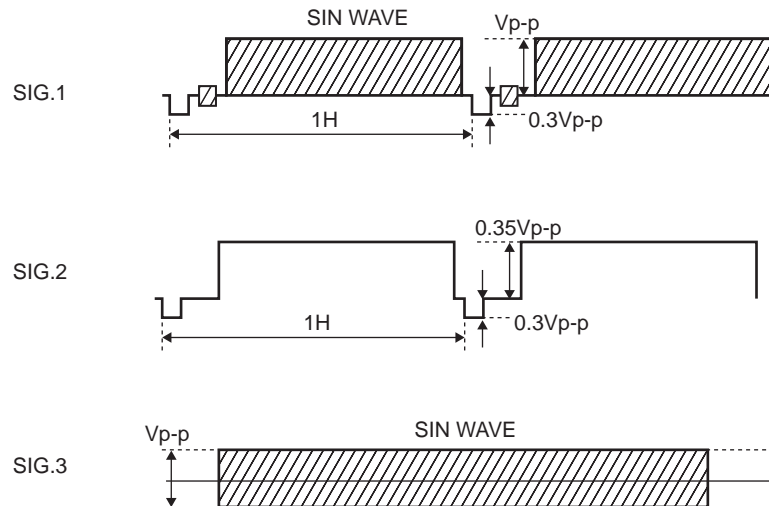
# LA73065VA

Continued from preceding page.

www.DataSheet4U.com

Pin No.	Pin name	DC voltage	Signal wave form	Input/Output form
18	Pr/R_OUT	Component : 2.4V (Bias)  RGB : 1.3V (Clamp)		
19	VCC_DR_HD			
20	N.C.			
21	D_LINE3_OUT	5V : 16 : 9  2.2V : 4 : 3Letter Box  0V : 4 : 3		
22	D_LINE2_OUT	5V : 59.94p/60p  0V : 59.94i/60i		
23	D_LINE1_OUT	5V : 1125 (1080)  2.2V : 750 (720)  0V : 525 (480)		
24	REG3V	3.0V		





- SANYO Semiconductor Co.,Ltd. assumes no responsibility for equipment failures that result from using products at values that exceed, even momentarily, rated values (such as maximum ratings, operating condition ranges, or other parameters) listed in products specifications of any and all SANYO Semiconductor Co.,Ltd. products described or contained herein.
- SANYO Semiconductor Co.,Ltd. strives to supply high-quality high-reliability products, however, any and all semiconductor products fail or malfunction with some probability. It is possible that these probabilistic failures or malfunction could give rise to accidents or events that could endanger human lives, trouble that could give rise to smoke or fire, or accidents that could cause damage to other property. When designing equipment, adopt safety measures so that these kinds of accidents or events cannot occur. Such measures include but are not limited to protective circuits and error prevention circuits for safe design, redundant design, and structural design.
- In the event that any or all SANYO Semiconductor Co.,Ltd. products described or contained herein are controlled under any of applicable local export control laws and regulations, such products may require the export license from the authorities concerned in accordance with the above law.
- No part of this publication may be reproduced or transmitted in any form or by any means, electronic or mechanical, including photocopying and recording, or any information storage or retrieval system, or otherwise, without the prior written consent of SANYO Semiconductor Co.,Ltd.
- Any and all information described or contained herein are subject to change without notice due to product/technology improvement, etc. When designing equipment, refer to the "Delivery Specification" for the SANYO Semiconductor Co.,Ltd. product that you intend to use.
- Information (including circuit diagrams and circuit parameters) herein is for example only; it is not guaranteed for volume production.
- Upon using the technical information or products described herein, neither warranty nor license shall be granted with regard to intellectual property rights or any other rights of SANYO Semiconductor Co.,Ltd. or any third party. SANYO Semiconductor Co.,Ltd. shall not be liable for any claim or suits with regard to a third party's intellectual property rights which has resulted from the use of the technical information and products mentioned above.

This catalog provides information as of August, 2007. Specifications and information herein are subject to change without notice.